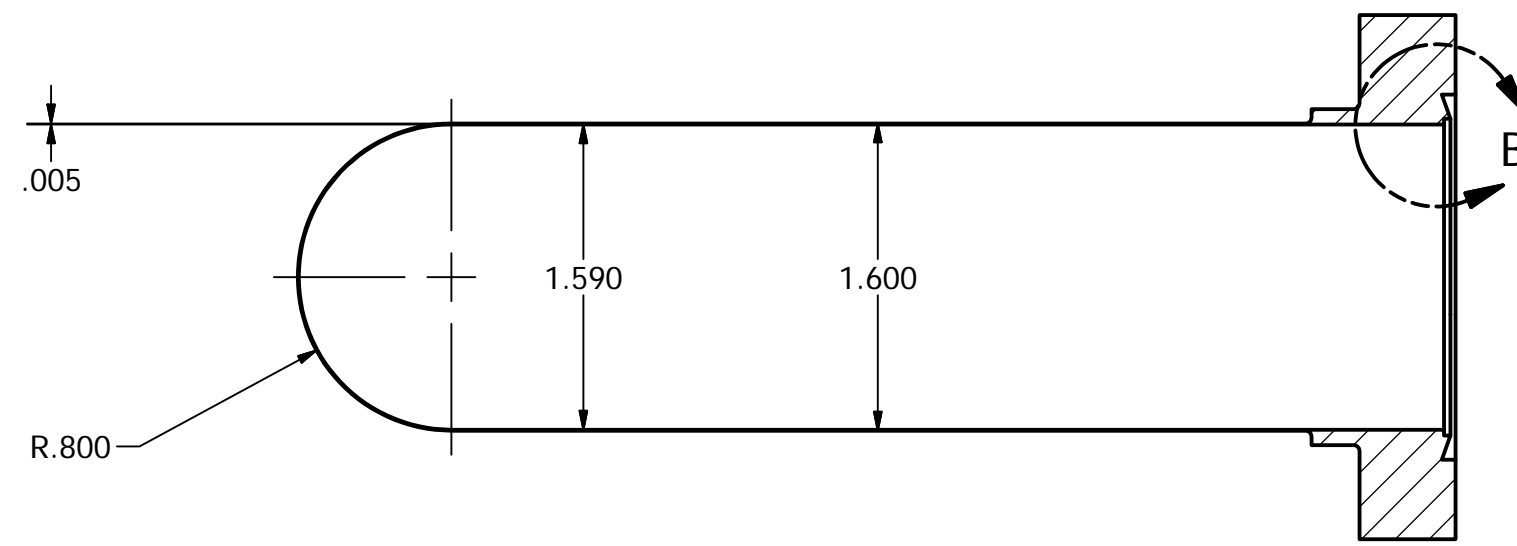
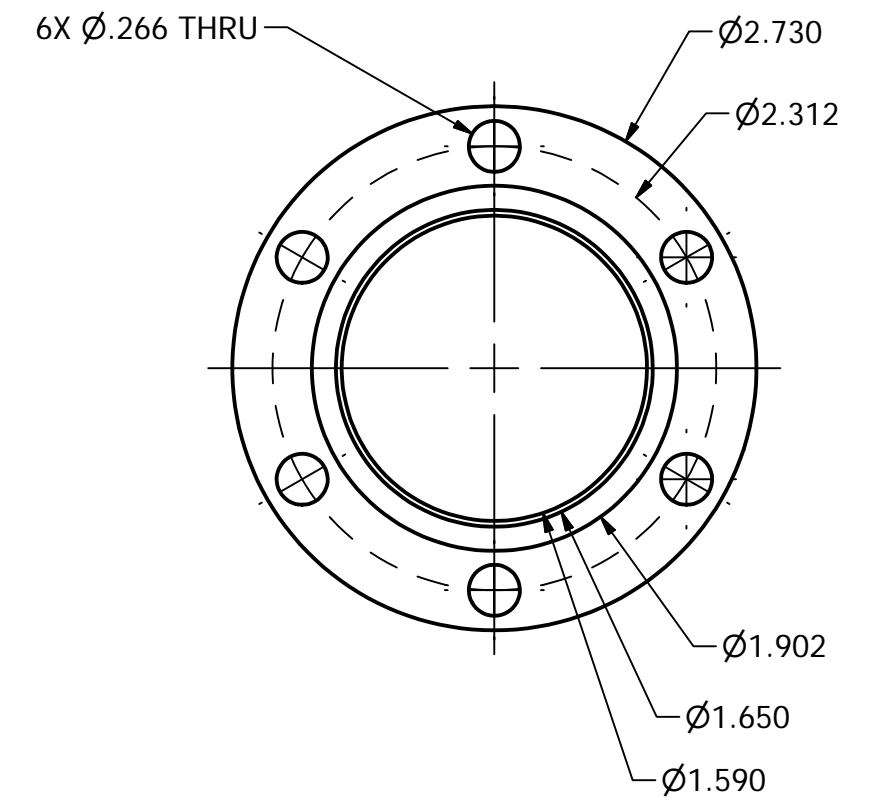
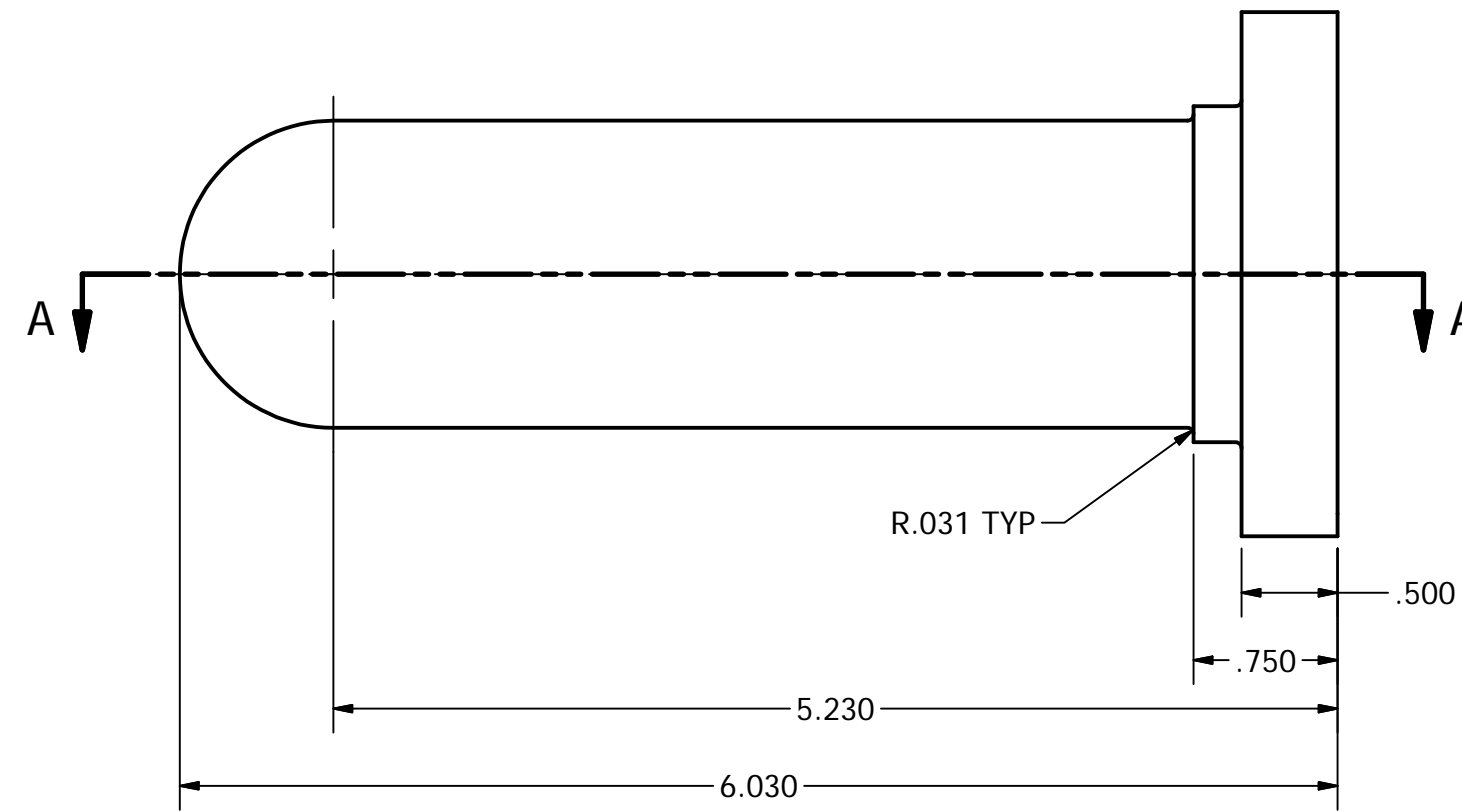
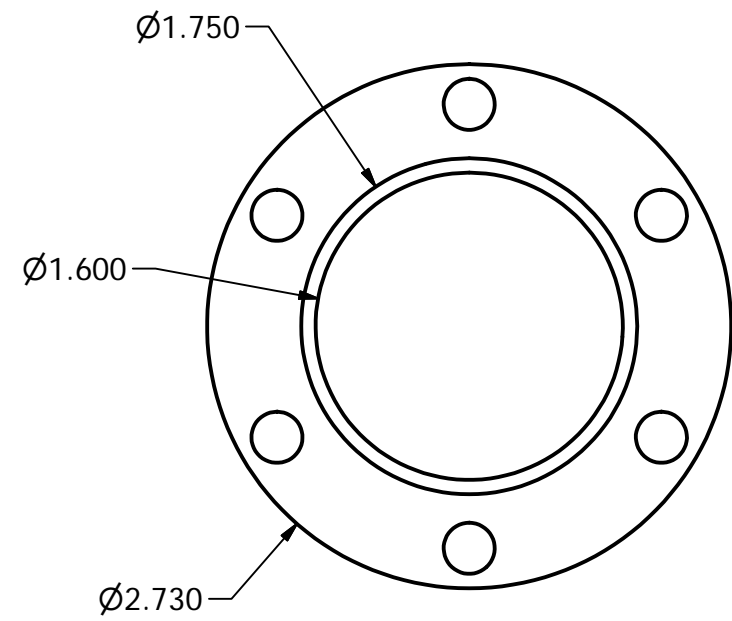


DETAIL B  
SCALE 3 : 1



SECTION A-A  
SCALE 1 : 1



IN ACCORDANCE WITH JLAB ESH&O MANUAL SME SIGNATURES MAY BE REQUIRED	DIM & TOL PER ASME Y14.5 UNLESS OTHERWISE SPECIFIED DIMENSIONS ARE IN INCHES TOLERANCES ARE: FRACTIONS    DECIMAL    ANGLE $\pm 1/64$ $.X \pm 0.1$ $\pm 0.5^\circ$ $.XX \pm 0.01$ $.XXX \pm 0.005$	APPROVALS		DATE		JEFFERSON LAB TARGET GROUP THOMAS JEFFERSON NATIONAL ACCELERATOR FACILITY NEWPORT NEWS VIRGINIA U.S. DEPARTMENT OF ENERGY	
		DRAWN D. Meekins	CHECKED	5/25/2007	Hall C Cryogenic Target 1.6" CF Gen 2 Cells 10m cm Exit Window		
MATERIAL ASTM B209 7075-T651	THIRD ANGLE PROJECTION	APPROVED	APPROVED	APPROVED	SIZE C	DWG NO TGT-301-1001-0013	REV -
FINISH                    32 $\sqrt{\hspace{1cm}}$ UNLESS OTHERWISE NOTED DEBUR AND BREAK ALL SHARP EDGES ACCEPT AS NOTED		APPROVED	APPROVED	SCALE VAR	ASSY. NO.	SHEET 1 OF 1	
Do Not Scale Drawing							