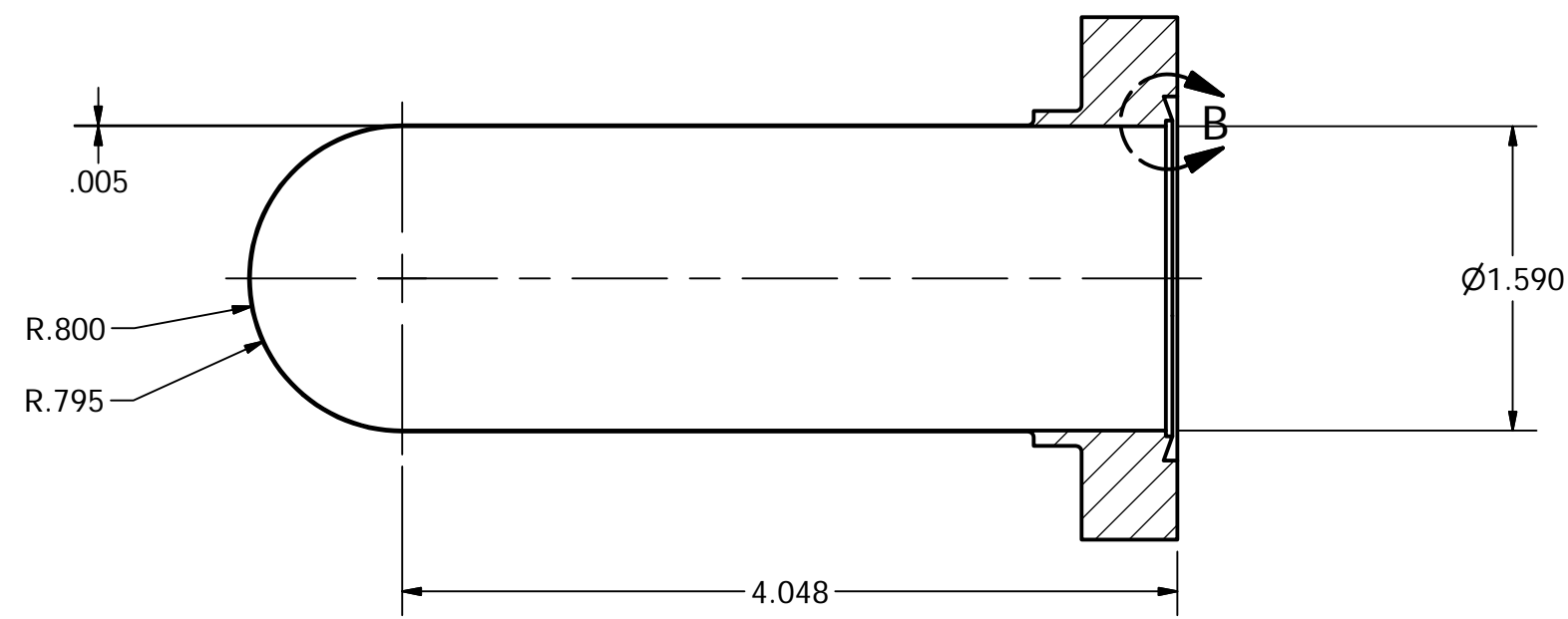
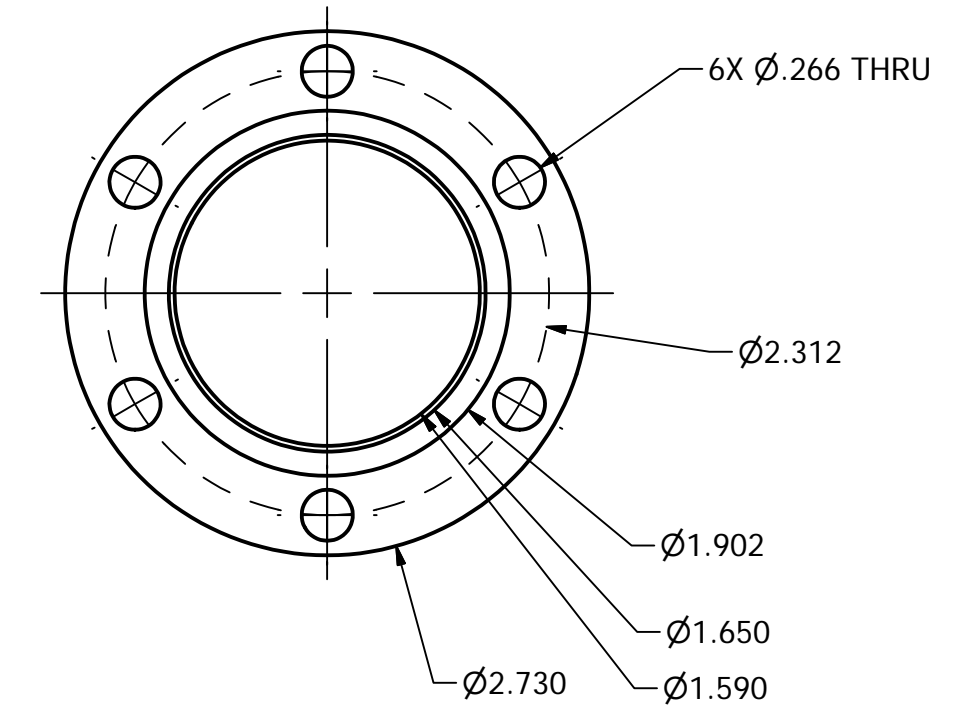
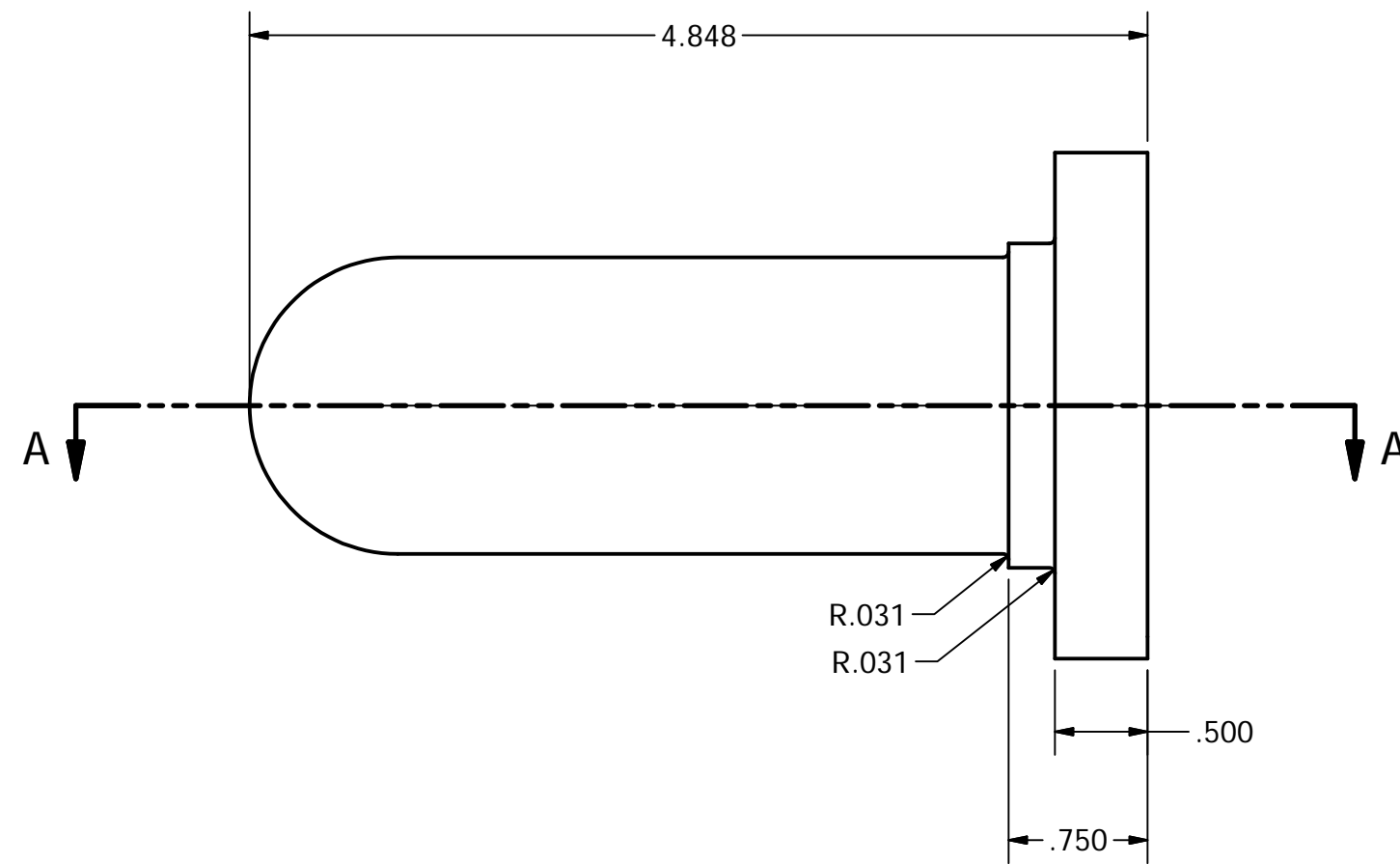
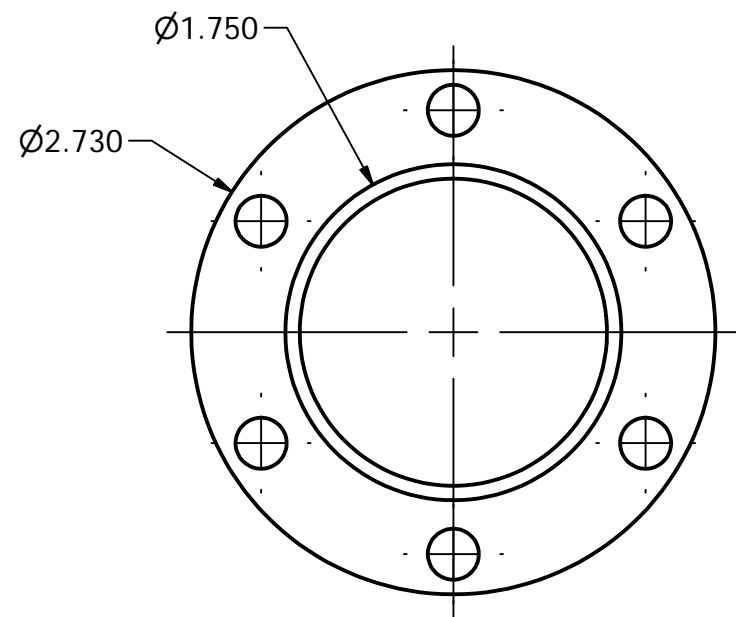


DETAIL B
SCALE 3 : 1



SECTION A-A
SCALE 1 : 1



IN ACCORDANCE WITH JLAB ESH&Q MANUAL SME SIGNATURES MAY BE REQUIRED	DIM & TOL PER ASME Y14.5 UNLESS OTHERWISE SPECIFIED DIMENSIONS ARE IN INCHES TOLERANCES ARE: FRACTIONS DECIMAL ANGLE $\pm 1/64$ $.X \pm 0.1$ $\pm 0.5^\circ$ $.XX \pm 0.01$ $.XXX \pm 0.005$	APPROVALS	DATE	JEFFERSON LAB TARGET GROUP THOMAS JEFFERSON NATIONAL ACCELERATOR FACILITY NEWPORT NEWS VIRGINIA U.S. DEPARTMENT OF ENERGY	
		DRAWN D. Meekins	5/25/2007		
MATERIAL ASTM B209 7075-T651	THIRD ANGLE PROJECTION 	CHECKED		Hall C Cryogenic Target 1.6" CF Gen 2 Cells 4cm cm Exit Window	
FINISH UNLESS OTHERWISE NOTED DEBUR AND BREAK ALL SHARP EDGES ACCEPT AS NOTED		APPROVED			
Do Not Scale Drawing		APPROVED			
		APPROVED		SIZE DWG NO REV C TGT-301-1001-0014 -	
				SCALE VAR ASSY. NO. SHEET 1 OF 1	