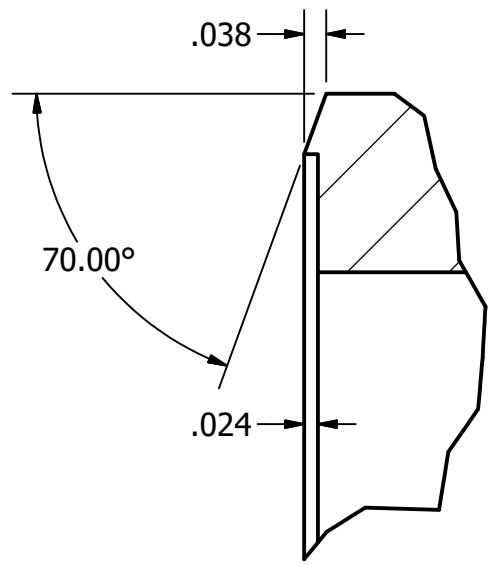
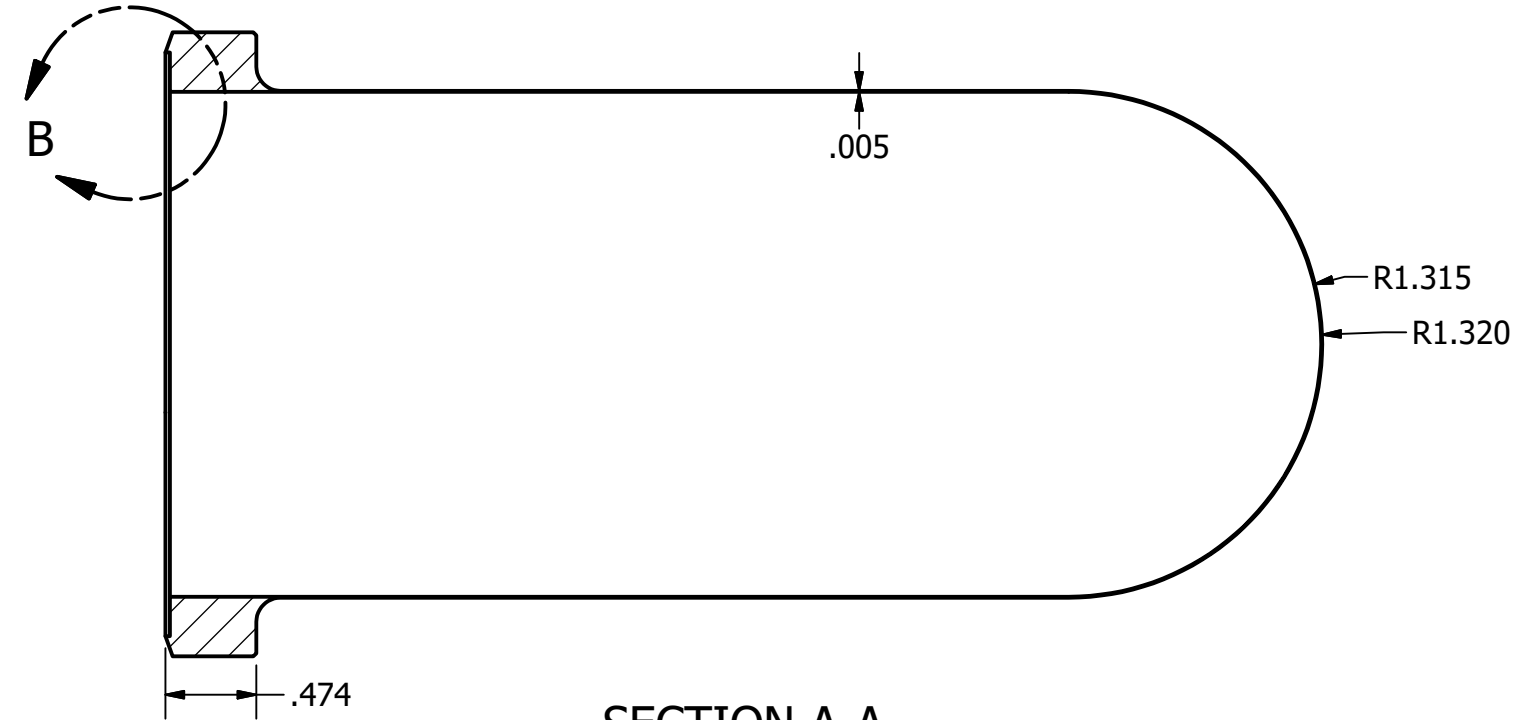


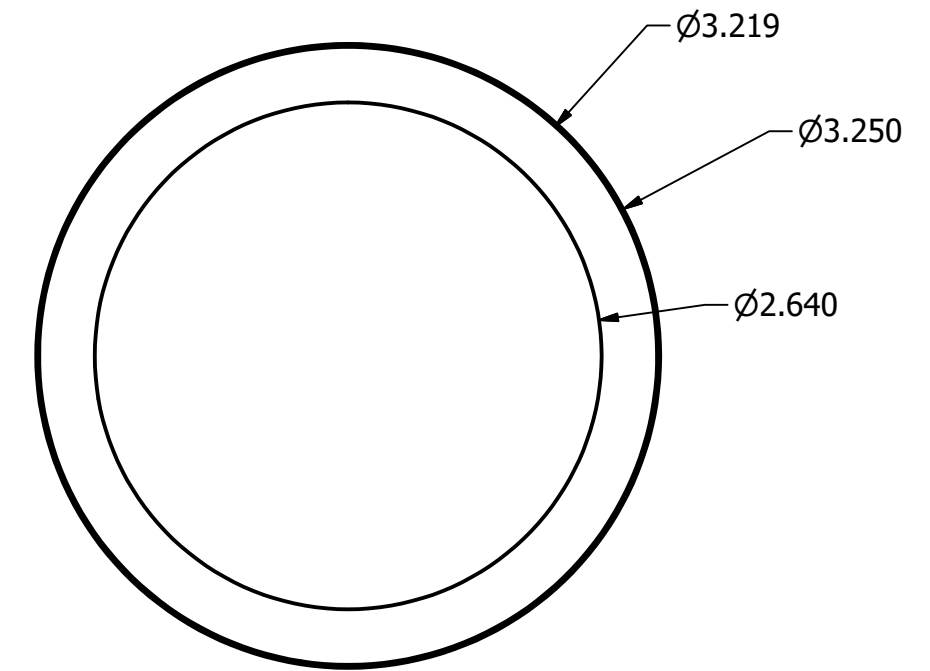
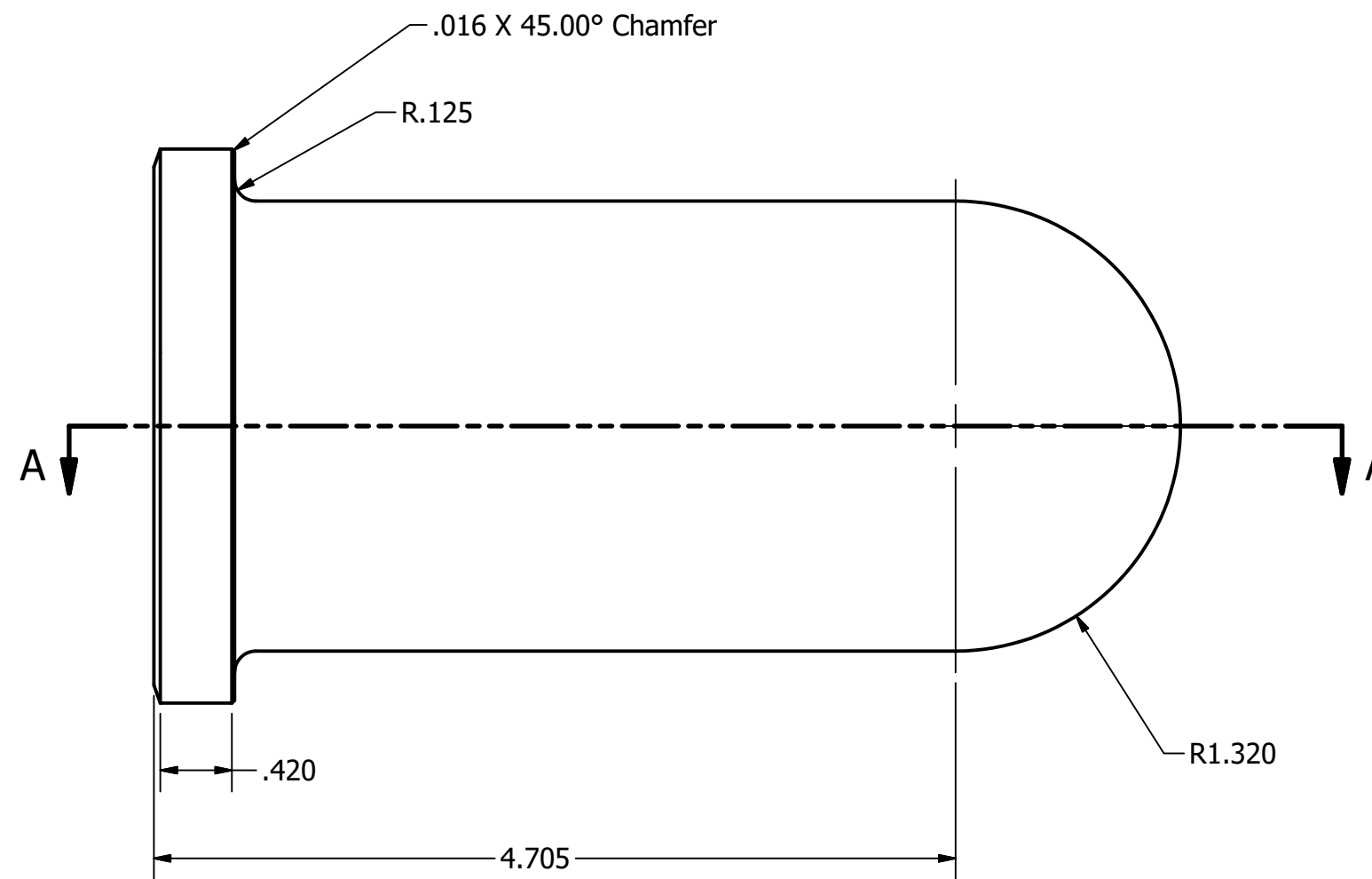
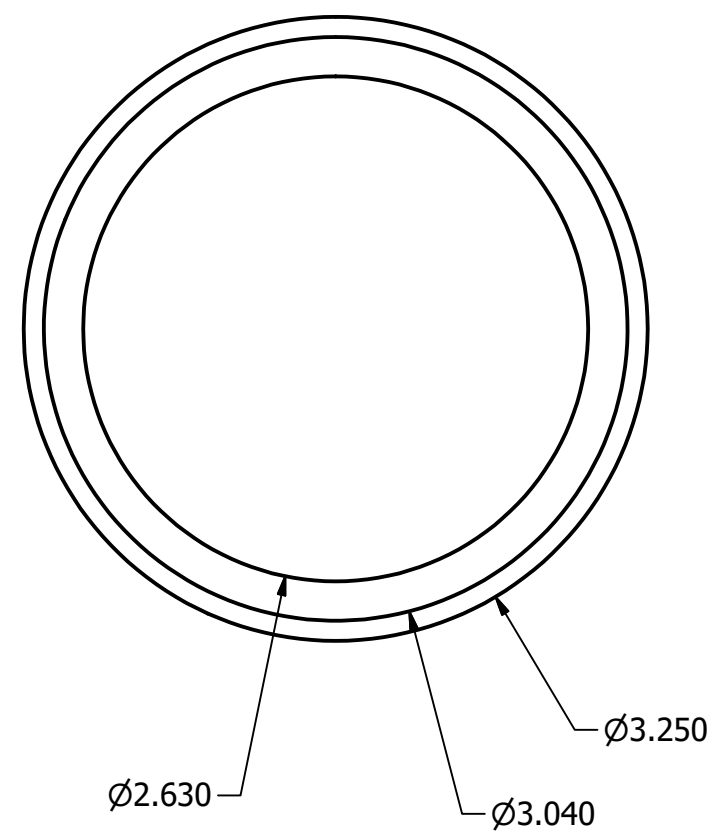
REVISION HISTORY				
ZONE	REV	DESCRIPTION	DATE	APPROVED
All	A	Update to CF ring	10/17/2016	



DETAIL B
SCALE 3 : 1



SECTION A-A
SCALE 1 : 1



NOTES:
1. MTR/CMTR REQUIRED

IN ACCORDANCE WITH JLAB ESH&Q MANUAL SME SIGNATURES MAY BE REQUIRED	DIM & TOL PER ASME Y14.5 . UNLESS OTHERWISE SPECIFIED DIMENSIONS ARE IN INCHES TOLERANCES ARE: FRACTIONS DECIMAL ANGLE ±1/64 .XX±0.1 ±0.5° .XX±0.01 .XXX±0.005	APPROVALS	DATE	JEFFERSON LAB TARGET GROUP THOMAS JEFFERSON NATIONAL ACCELERATOR FACILITY NEWPORT NEWS VIRGINIA U.S. DEPARTMENT OF ENERGY		
		DRAWN D. Meekins	6/27/2016			
MATERIAL ASTM B209 AL 7075-T651	THIRD ANGLE PROJECTION	CHECKED		Hall C Cryogenic Target 2.5" HDCF Cells 10 cm Exit		
FINISH UNLESS OTHERWISE NOTED 32		APPROVED				
DEBUR AND BREAK ALL SHARP EDGES ACCEPT AS NOTED			APPROVED		SIZE C	DWG NO TGT-301-1001-0002
Do Not Scale Drawing		APPROVED		SCALE VAR	ASSY. NO.	SHEET 1 OF 1