

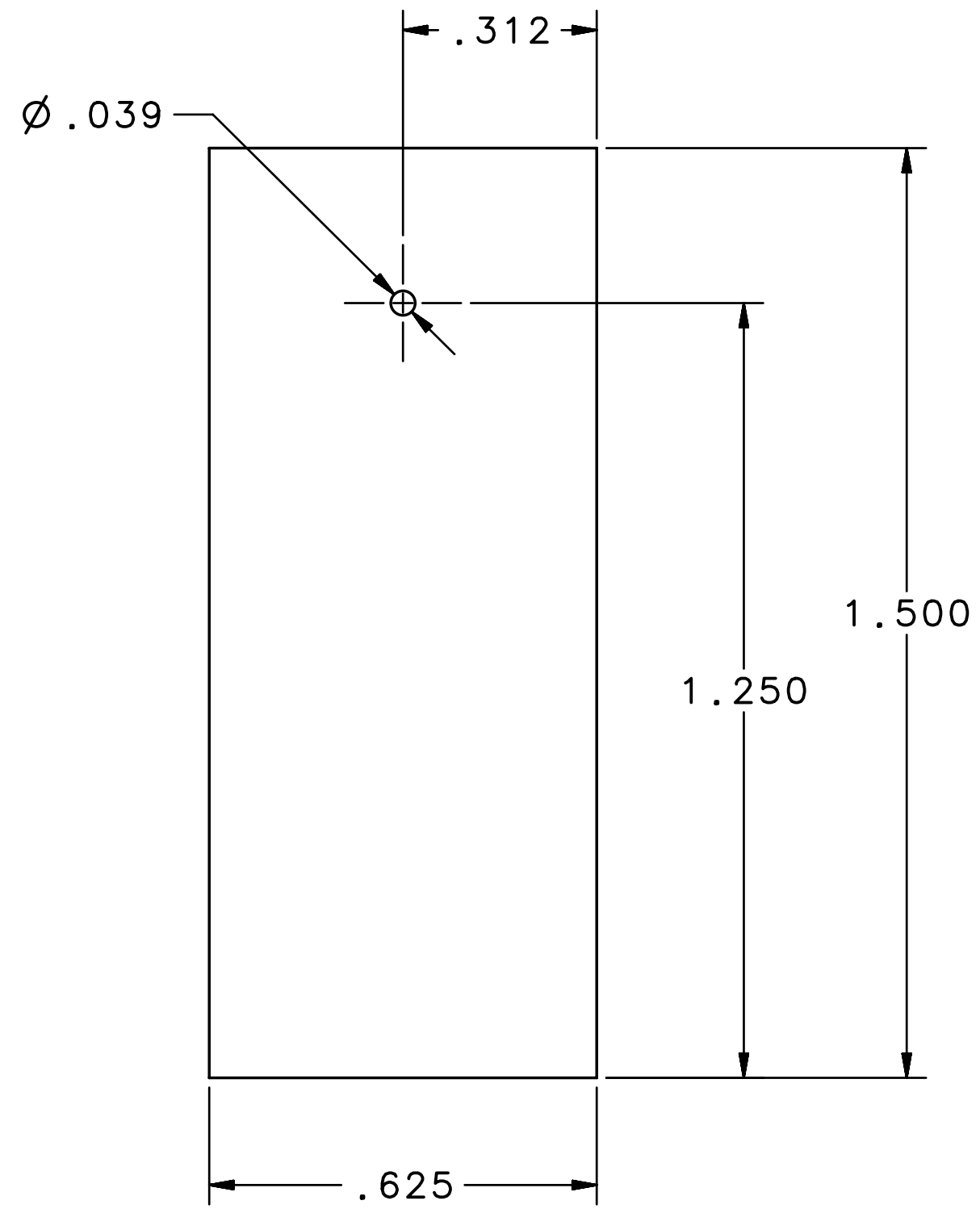
4

3

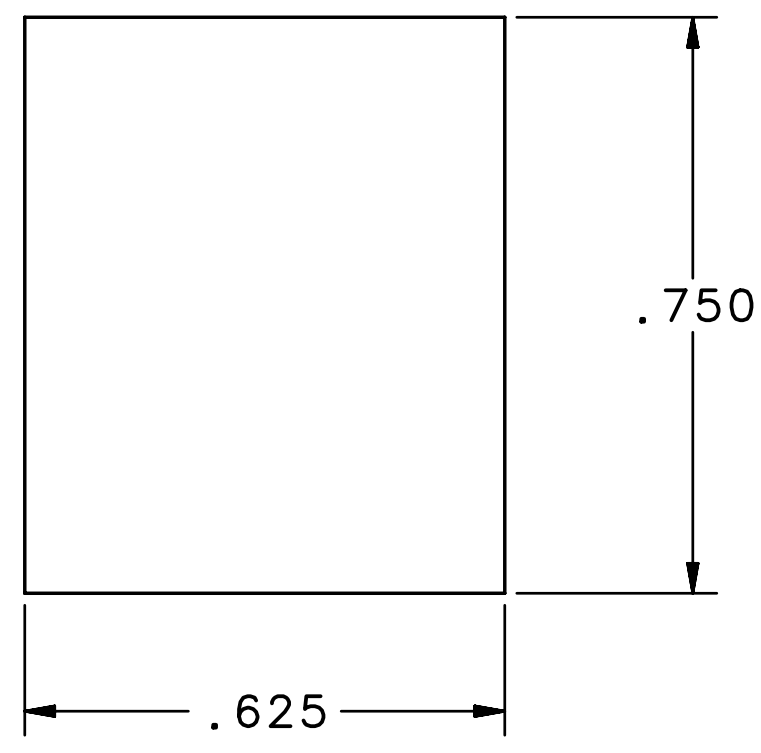
2

1

REVISION HISTORY			
ZONE	REV	DESCRIPTION	DATE/REVISER



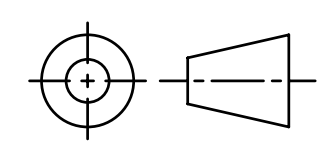
-01 CARBON TARGET W/HOLE
 MATERIAL: CARBON .010 THK



-02 CARBON TARGET
 MATERIAL: CARBON .010 THK

DTM & TOL PER ASME Y14.5 2009.
 UNLESS OTHERWISE SPECIFIED
 DIMENSIONS ARE IN INCHES
 TOLERANCES ARE:
 FRACTIONS DECIMAL ANGLES
 ± 1/8 .X ± .1 ± .50°
 .XX ± .01
 .XXX ± .005

THIRD ANGLE PROJECTION



MATERIAL
 NOTED

FINISH 125 UNLESS
 MACHINED SURFACES OTHERWISE
 SURFACES ✓ NOTED
 DEBURR & BREAK ALL SHARP EDGES

DO NOT SCALE DRAWING

DRAWN METZGER DATE 4/06/18

United States Department of Energy
Jefferson Lab
 Thomas Jefferson National Accelerator Facility
 Newport News Virginia

HALL C
 A1N
 CARBON TARGET ITEMS

SIZE C	DWG. NO. 67507-00087	REV. -
SCALE N/A	USED ON ASSY NO. 67507-00047	SHEET 1 OF 1

In accordance with the Jefferson Lab ESH&Q manual
 Subject Matter Expert(SME) signatures may be required

4

3

2

1