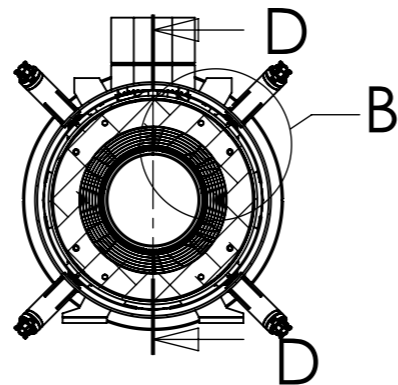
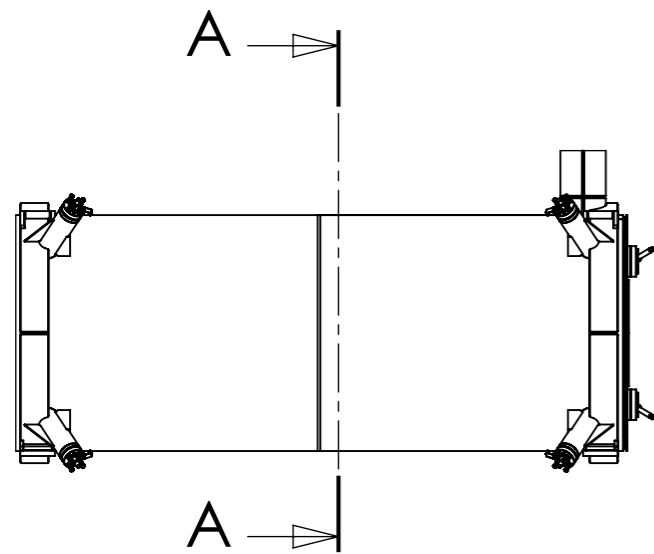
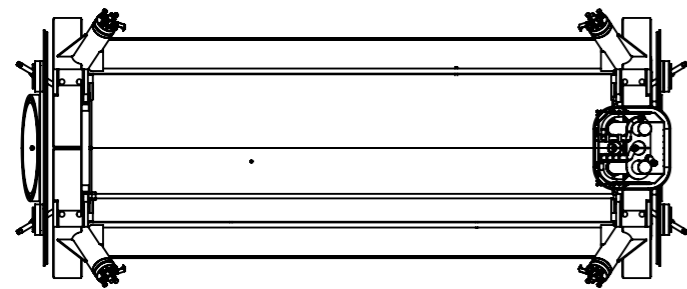
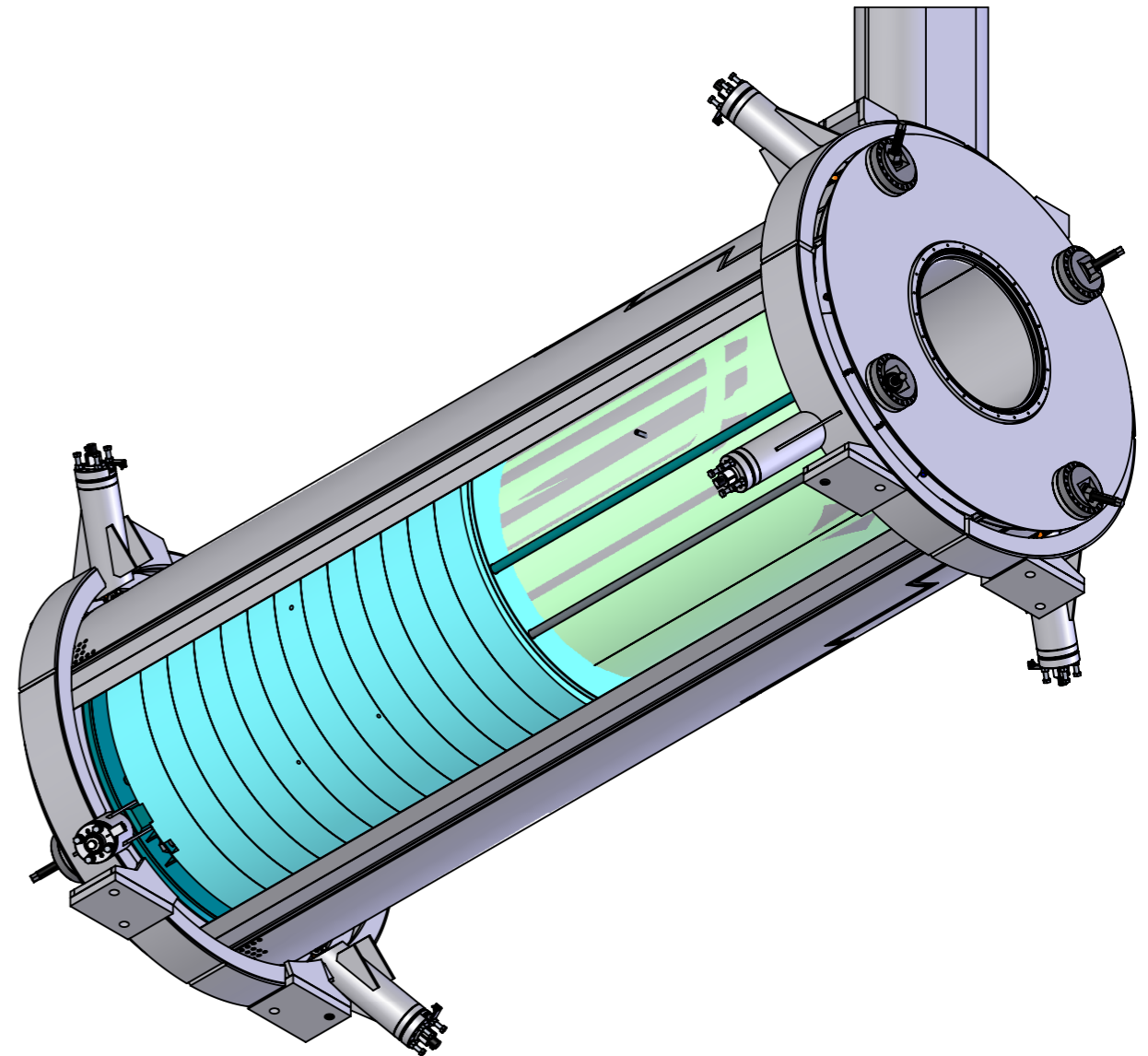


1 2 3 4 5 6 7 8

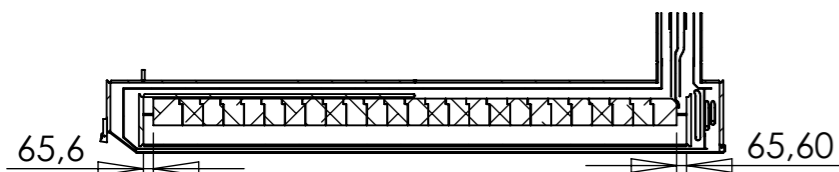
A
B
C
D
E
F



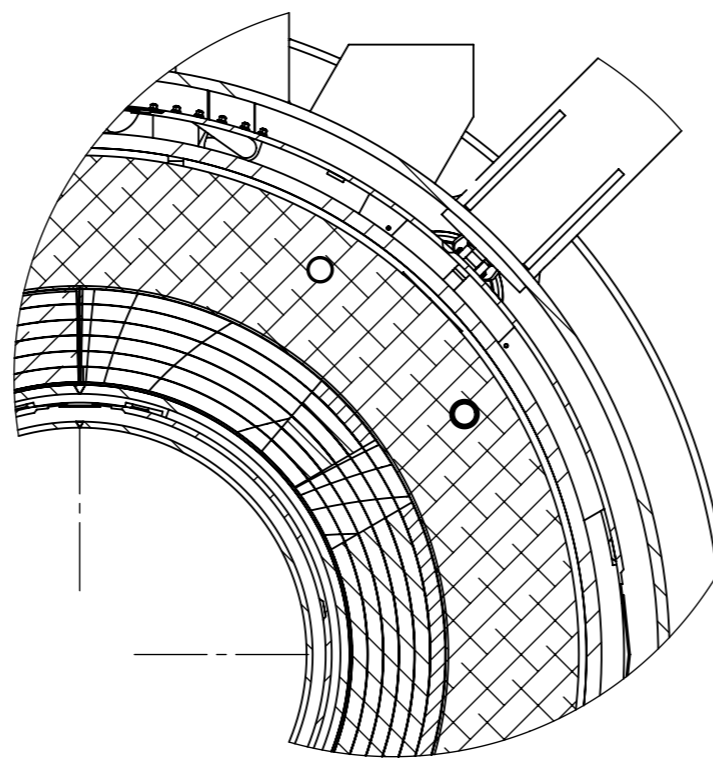
COUPE A-A



VUE C




SECTION D-D

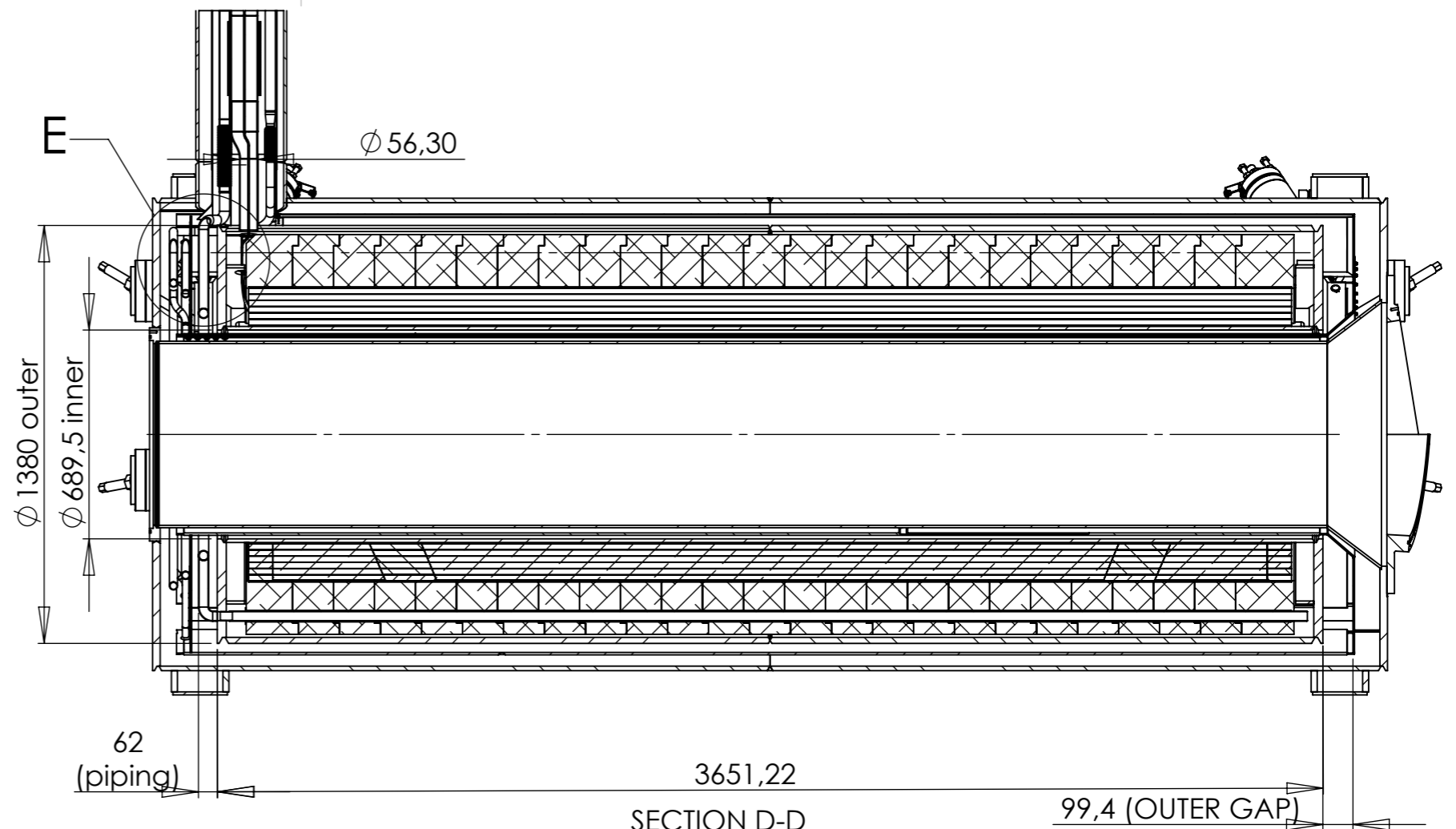
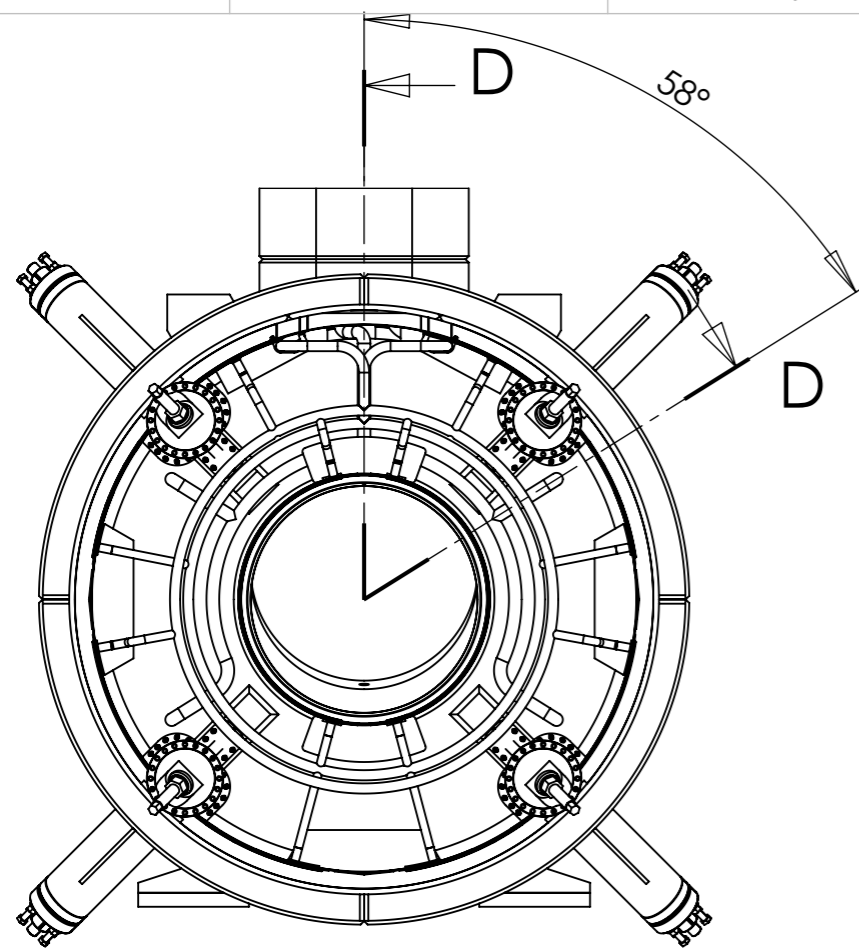


DÉTAIL B
ECHELLE 1 : 10

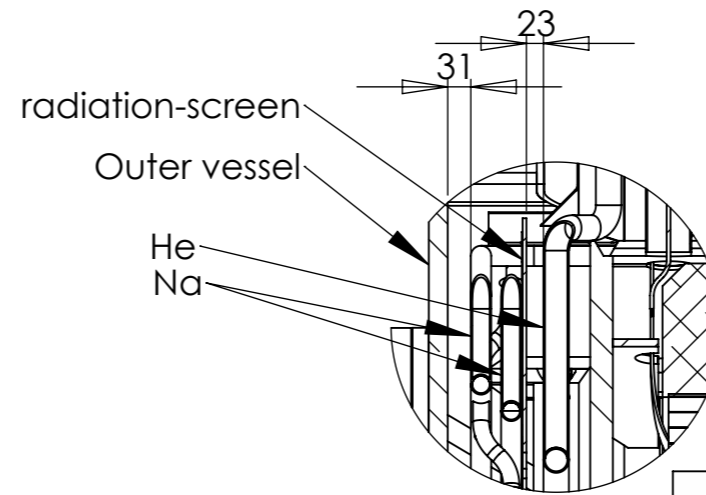
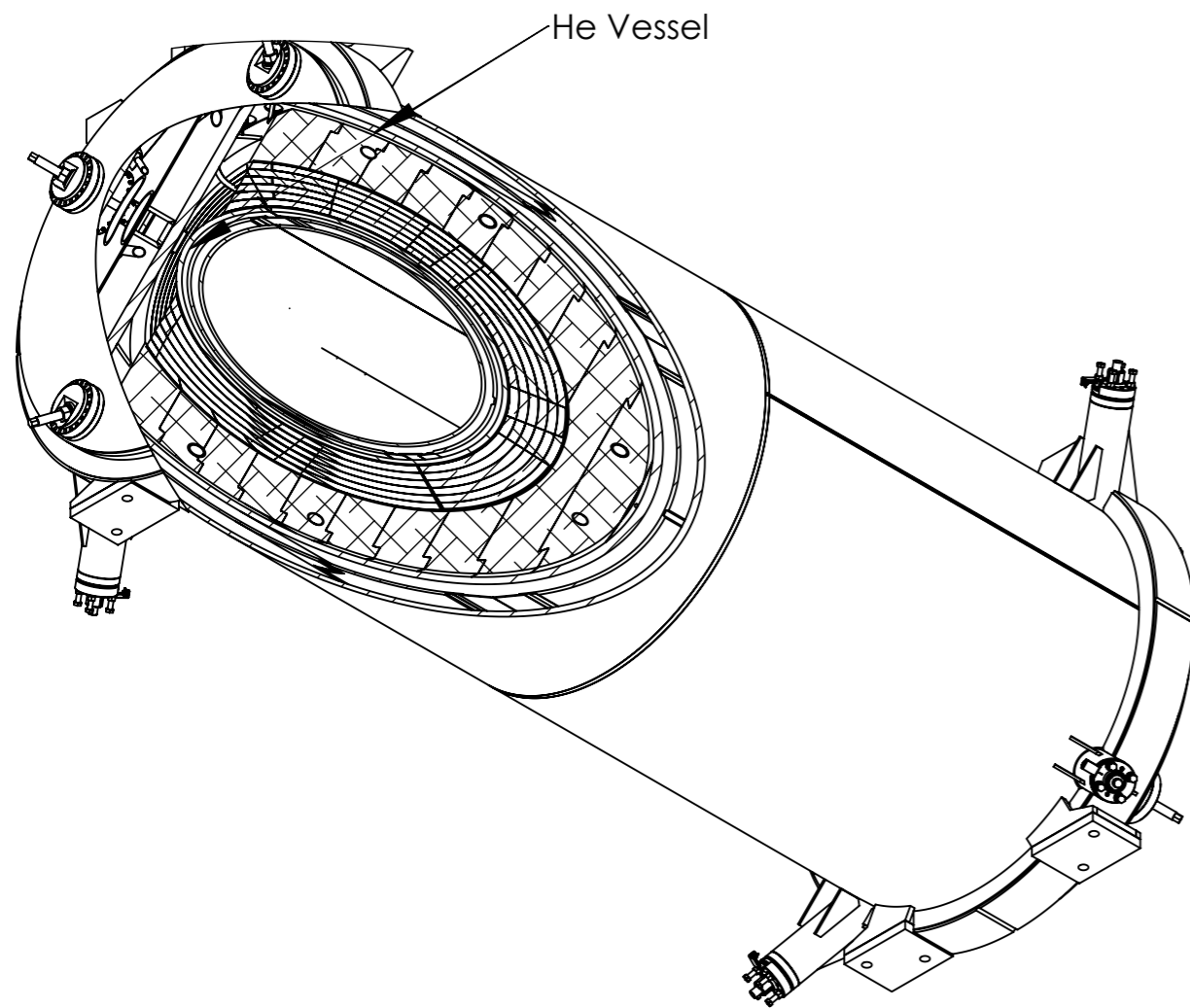
ROOM TEMPERATURE

 ZI du prat Rue des frères Mongolfier F-56000 Vannes Tel(33) 02.97.01.08.80 Fax (33)02.97.01.08.81 EMAIL Contact@sigmaphi.fr	Name	Date
	Drawing M.DELBECQ	22/04/2013
	Checked	
	Approved	
	MATERIAL: See assembly	
	Trait.:	
	Roughness :	
	Tol Gen	
	Supplier:	
	Weight: 19091.55 Kg	
	15-02-11	
	File name:317111-JLA-001-001-SIGMAPHI	
DWG NO. 317111-JLA-001-001	Rev:	E
This drawing may not be used without special licence or authorisation express (Law of the 11 march 1957)		A3 SCALE:1:50 SHEET 1 OF 1



1 2 3 4

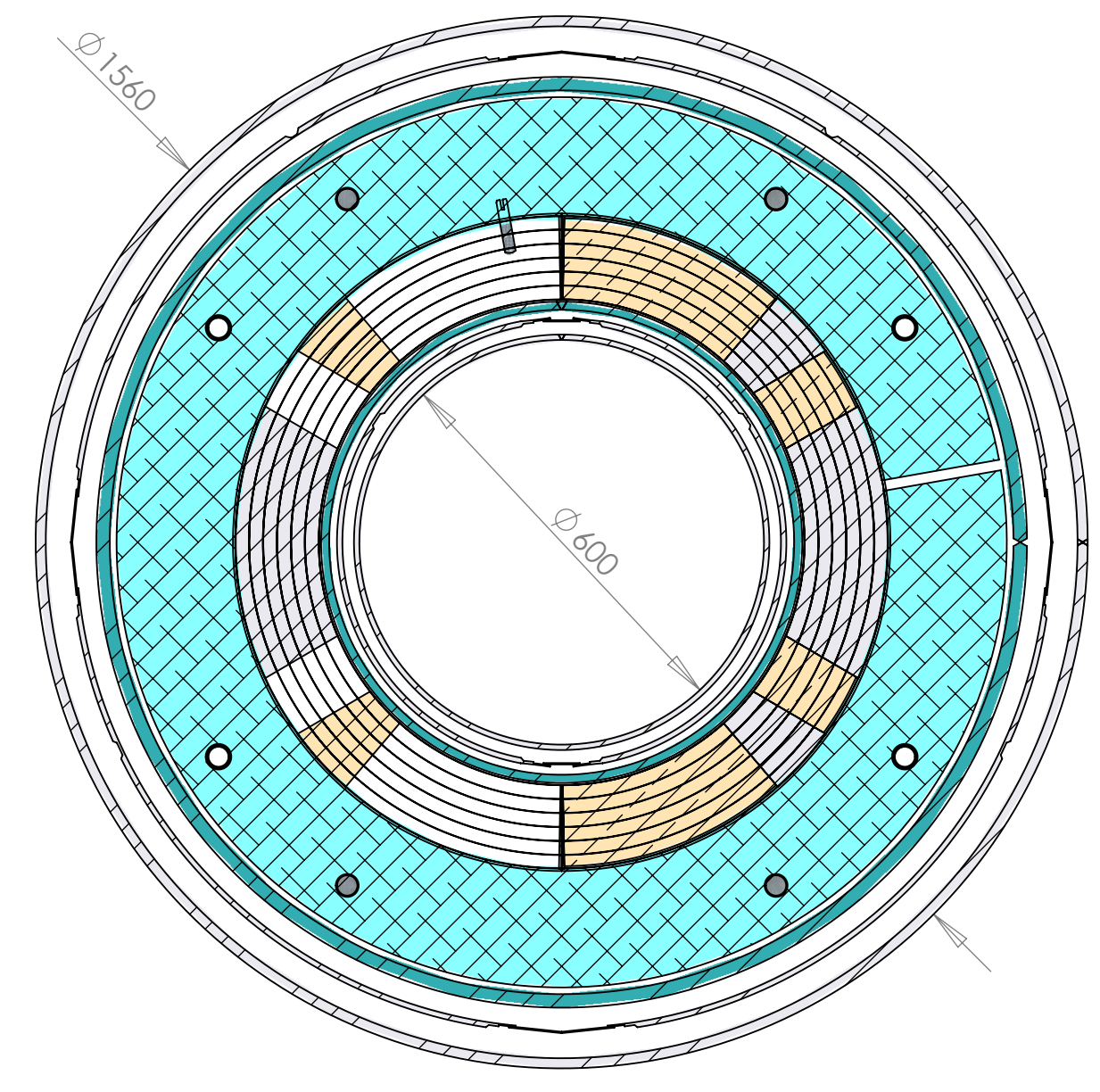


SECTION D-D
ECHELLE 1 : 20

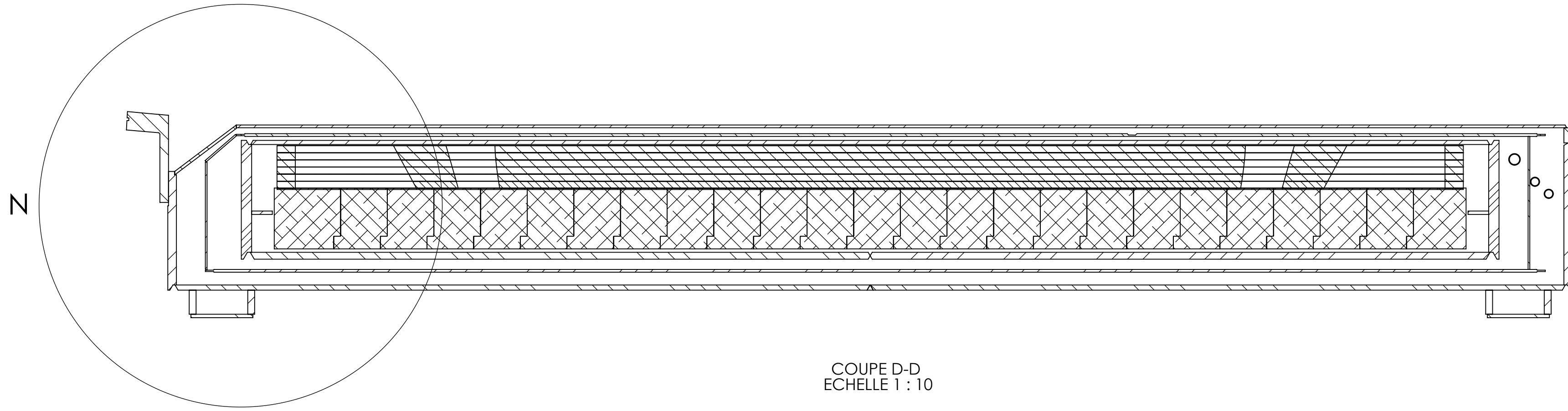
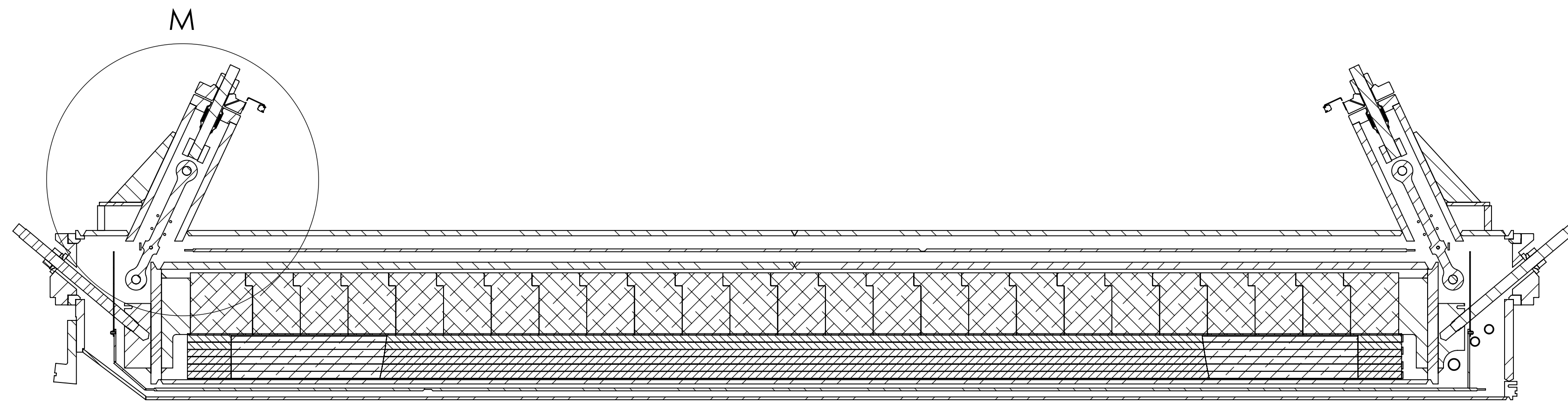


DÉTAIL E
ECHELLE 1 : 10
GAP BETWEEN
PIPES AND VESSELS

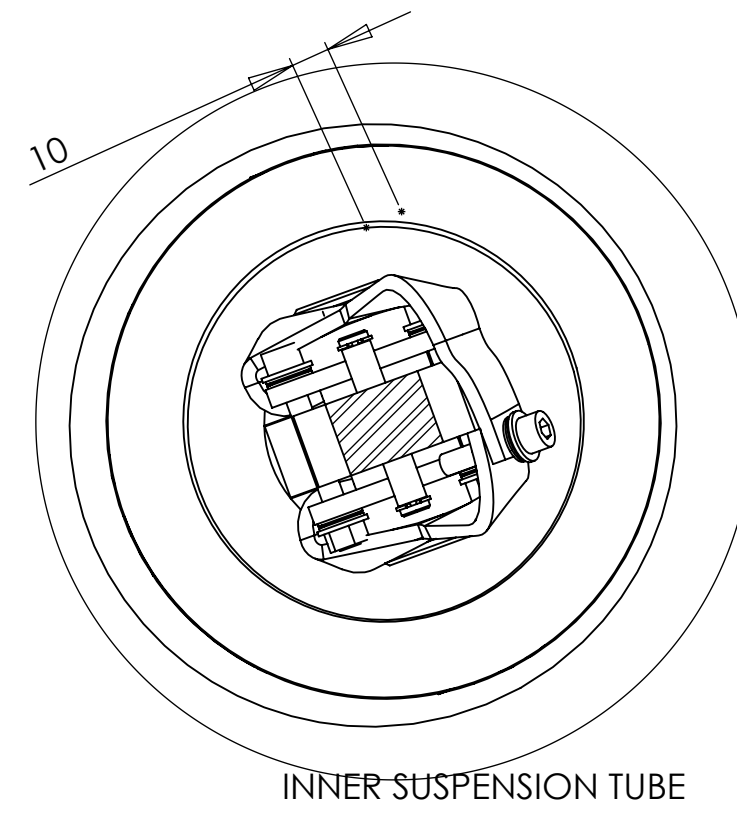
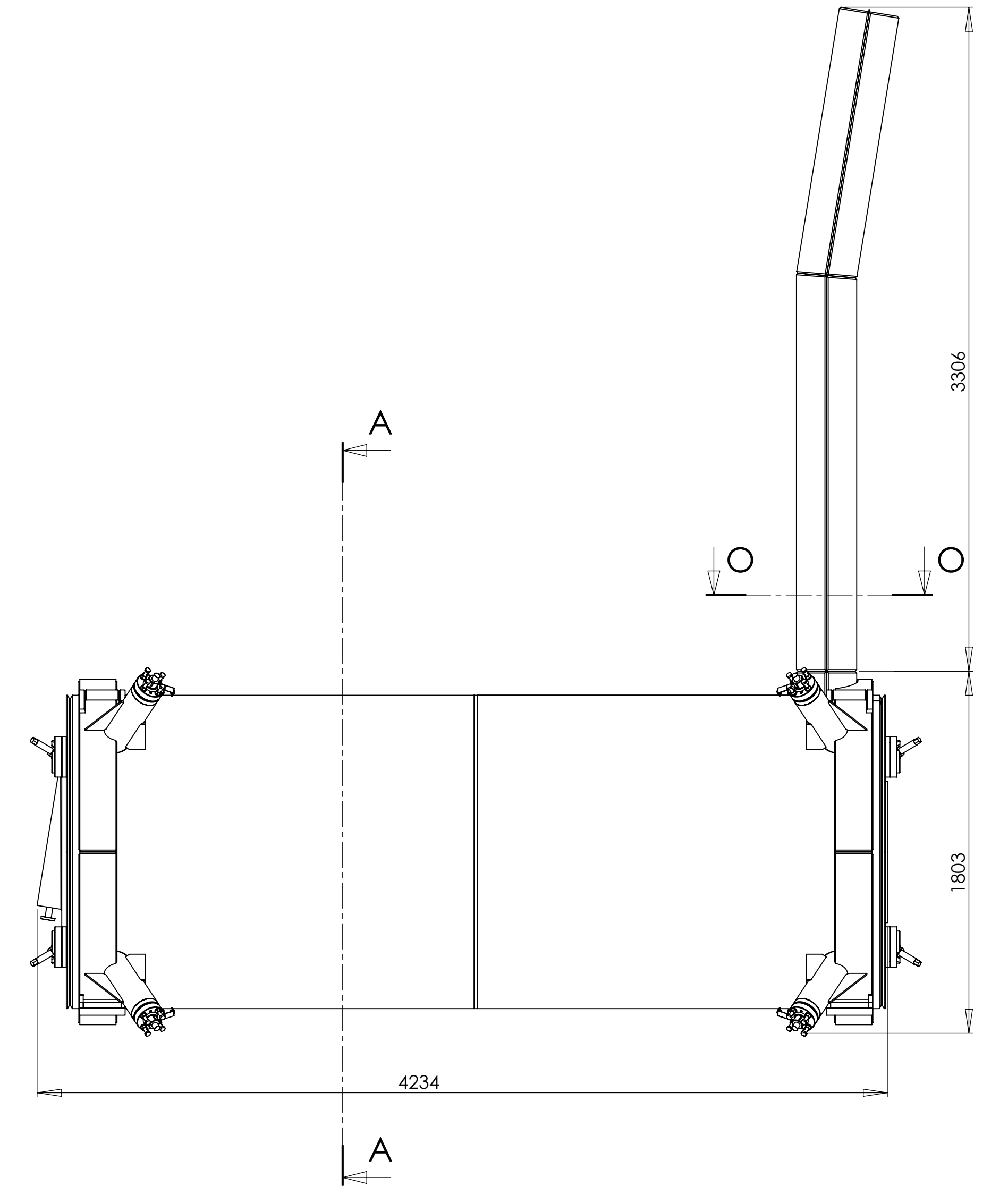
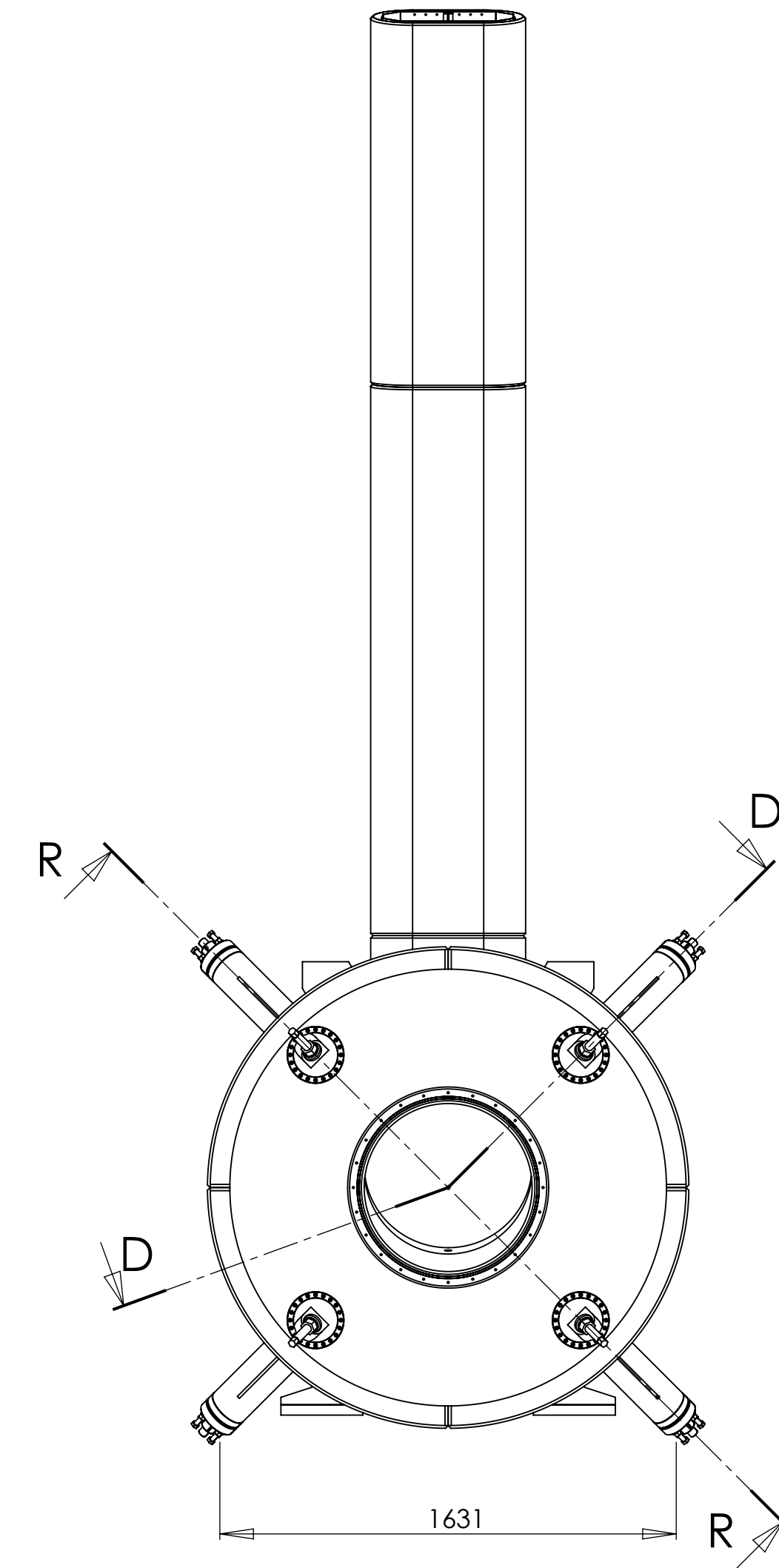
 ZI du prat Rue des frères Mongolfier F-56000 Vannes Tel(33) 02.97.01.08.80 Fax (33)02.97.01.08.81 EMAIL Contact@sigmaphi.fr	Name	Date
	Drawing M.DELBECQ	22/04/2013
	Checked	
	Approved	
	MATERIAL: See assembly	
	Trait.:	
	Roughness :	
	Tol Gen	
	Supplier:	
	Weight: 19091.55 Kg	
	15-02-11	
	File name:317111-JLA-001-001-SIGMAPHI	
DWG NO. 317111-JLA-001-001	Rev:	E
This drawing may not be used without special licence or authorisation express (Law of the 11 march 1957)		 A3 SCALE:1:100 SHEET 1 OF 1



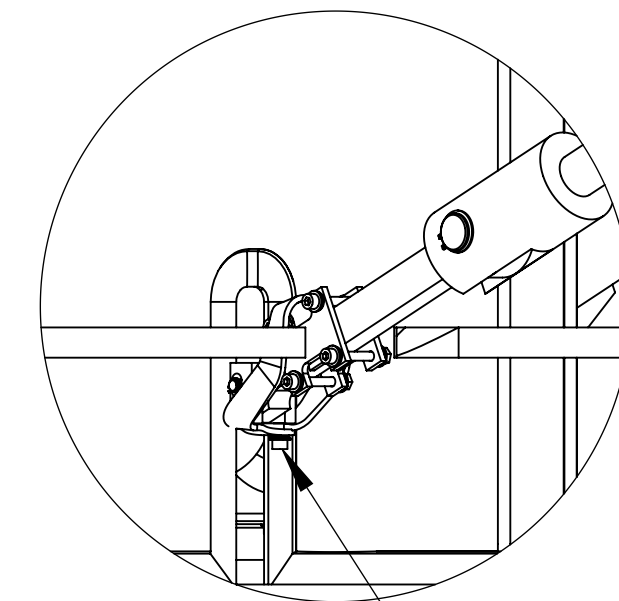
COUPE A-A
ECHELLE 1 : 10



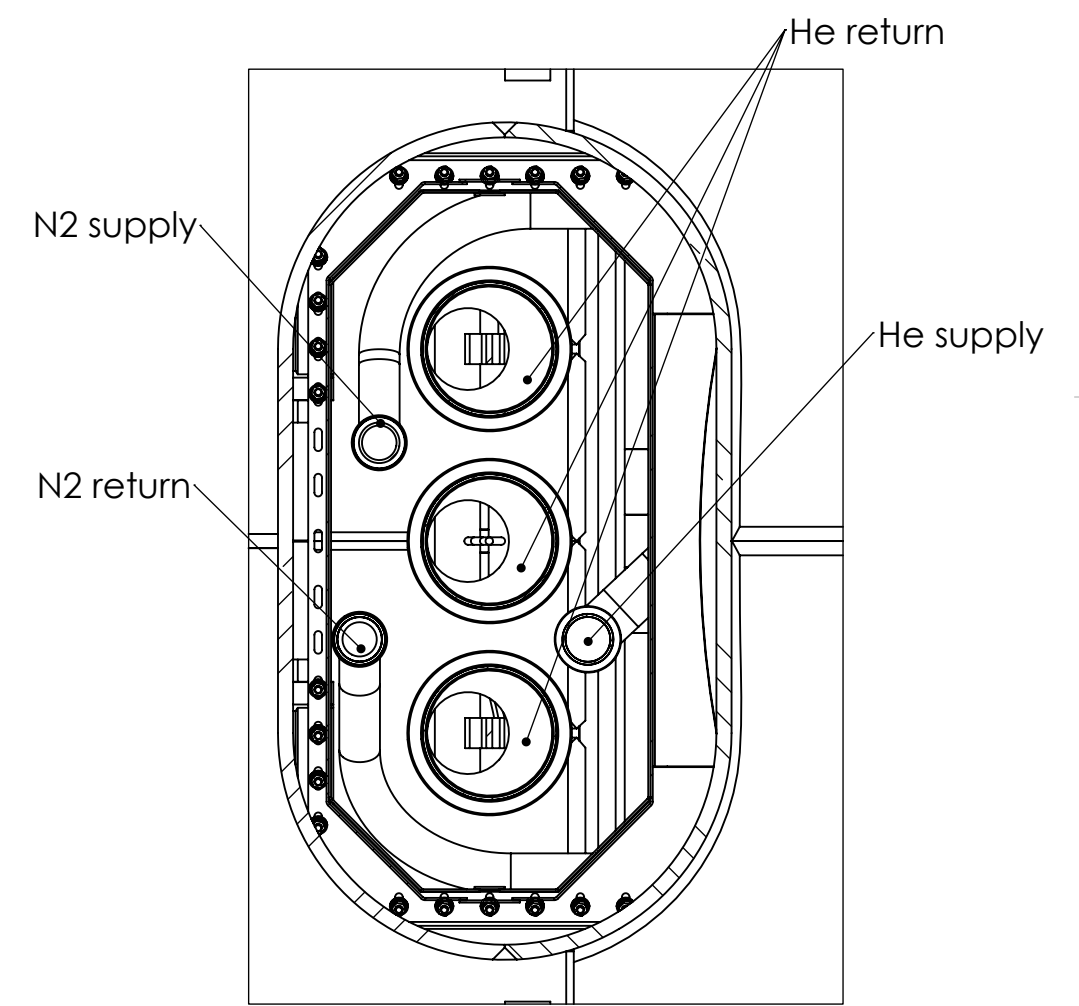
COUPE D-D
ECHELLE 1 : 10



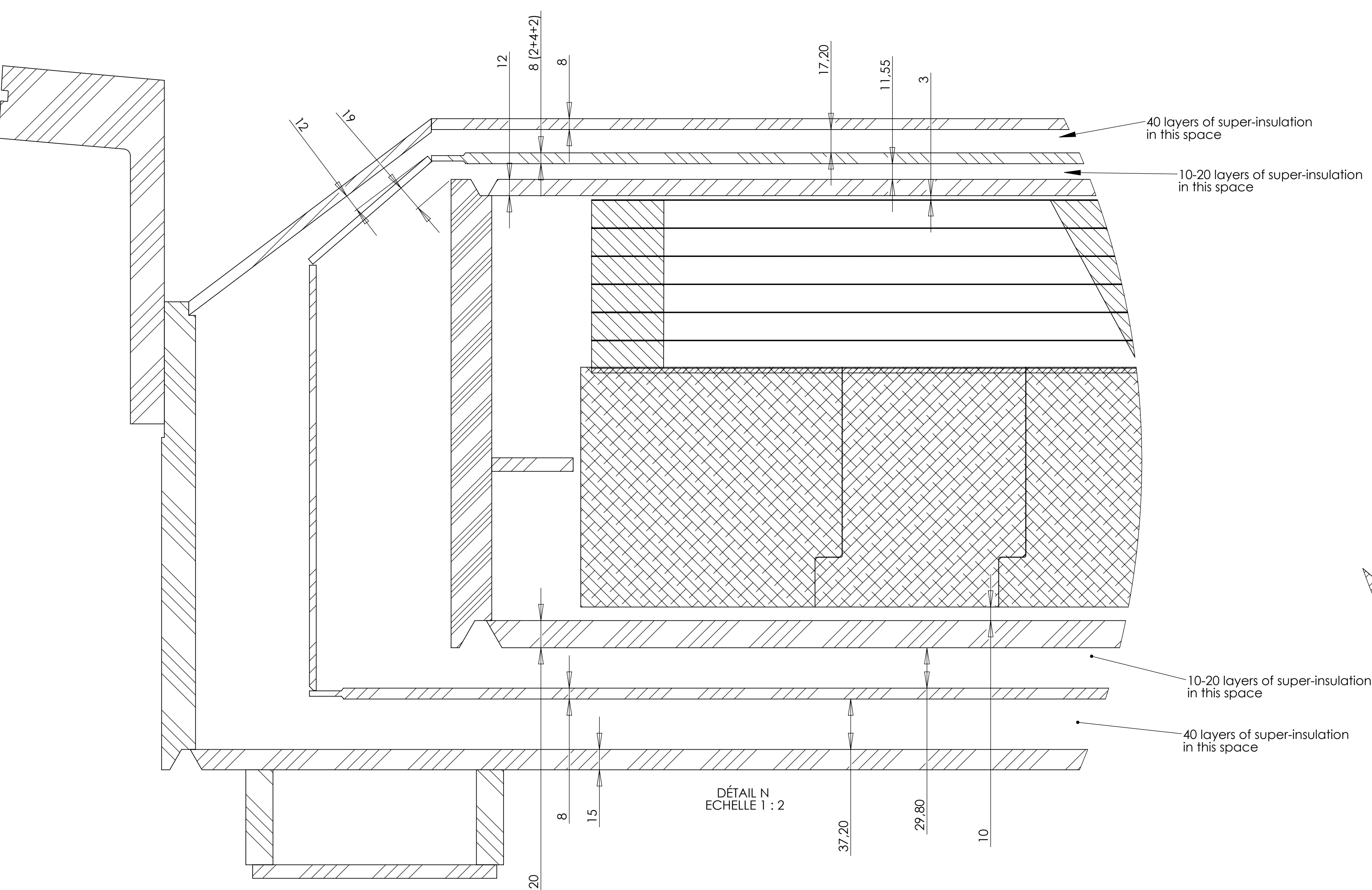
INNER SUSPENSION TUBE
DÉTAIL VIEW
ECHELLE 1 : 2



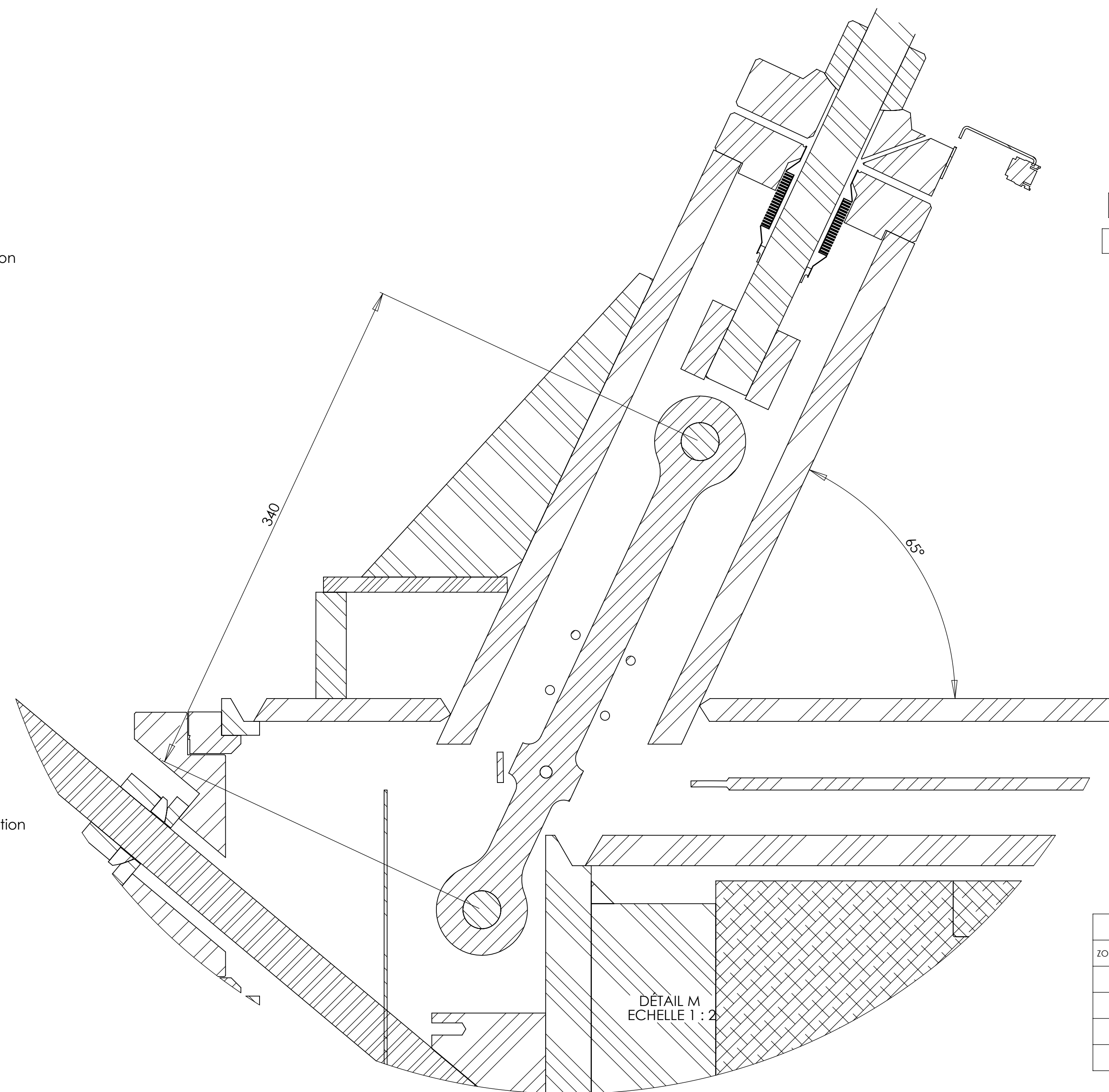
Thermal edge
suspension / radiation screen



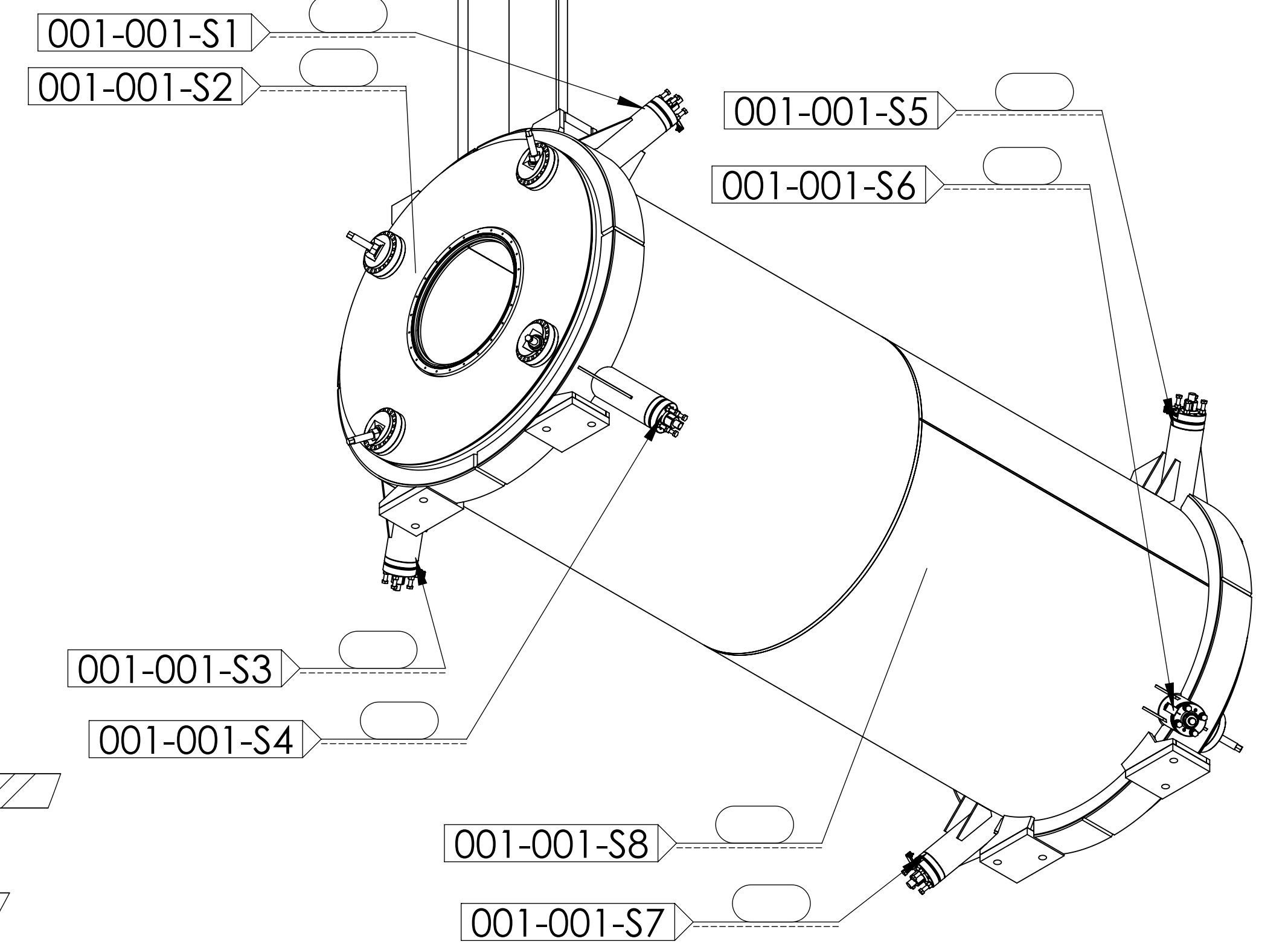
COUPE O-O
ECHELLE 1 : 5



DÉTAIL N
ECHELLE 1 : 2



DÉTAIL M
ECHELLE 1 : 2



REVISIONS					SIGMAPHI		DIPLOME	
ZONE	REV.	DESCRIPTION	DATE	APPROVE	Signature	Checked	Approved	
	B	MODIFICATIONS FOR INTERMEDIARY DESIGN REVIEW	07/11/2011					
	C	MODIFICATIONS (thickness of vessels, definition of radiation screen, other)	04/05/2012					
	D	[Sub-assembly changes]	09/07/2012					
	E	SUB-ASSEMBLY CHANGE / IDENTIFICATION OF SUSPENSION VIA WELDING	31/10/2012					

317111-JLA-001-001 The drawing may not be used without explicit approval of authorisation engineer. Date of the 11 March 1997	317111-JLA-001-001 15-02-11 File name: 317111-JLA-001-001-SIGMAPHI	Name: M. DELBECQ Date: 22/04/2013 See assembly Weight: 19091.55 Kg 15-02-11 File name: 317111-JLA-001-001-SIGMAPHI	E
---	--	---	---