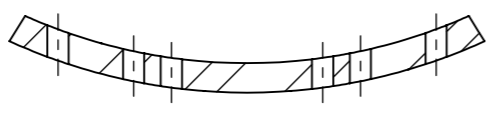


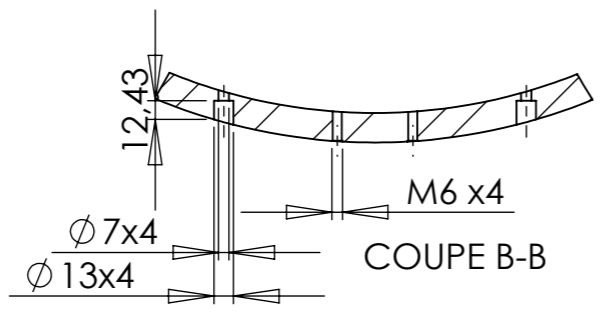
**VALIDATED ONLY FOR
MATERIAL PURCHASING**
**DIMENSIONS
NOT VALIDATED
FOR PARTS
MANUFACTURING**




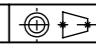
MACHINING FOLLOWING CAO FILE



COUPE A-A



COUPE B-B

 ZI du prat Rue des frères Mongolfier F-56000 Vannes Tel(33) 02.97.01.08.80 Fax (33)02.97.01.08.81 EMAIL Contact@sigmaphi.fr	Name	Date	
	Drawing	M.Delbecq	04/11/2011
	Checked		
	Approved		
	MATERIAL:	Inox/Stainless steel 304L	
	Trait.:		
	Roughness :		
	Tol Gen	+/-0.2	
	Supplier:		
	Weight:	9.72 Kg	
		ERREUR!:SW_Mas/Vo	
		File name:317111-JLA-0200-112	
DWG NO.	--317111-JLA-0200-112		
	Rev:	A	
This drawing may not be used without special licence or authorisation express (Law of the 11 march 1957)			
	 A3	SCALE:1:5 SHEET 1 OF 1	