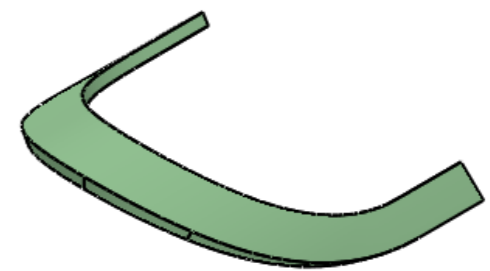
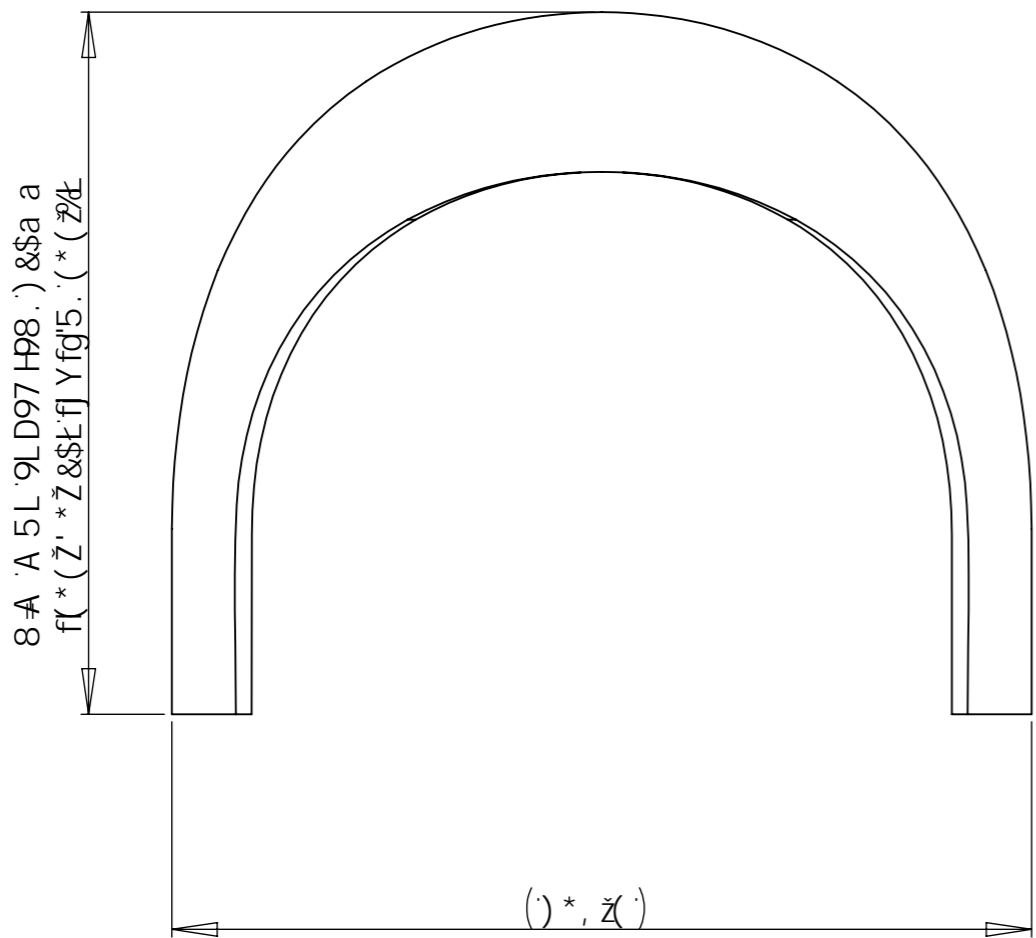
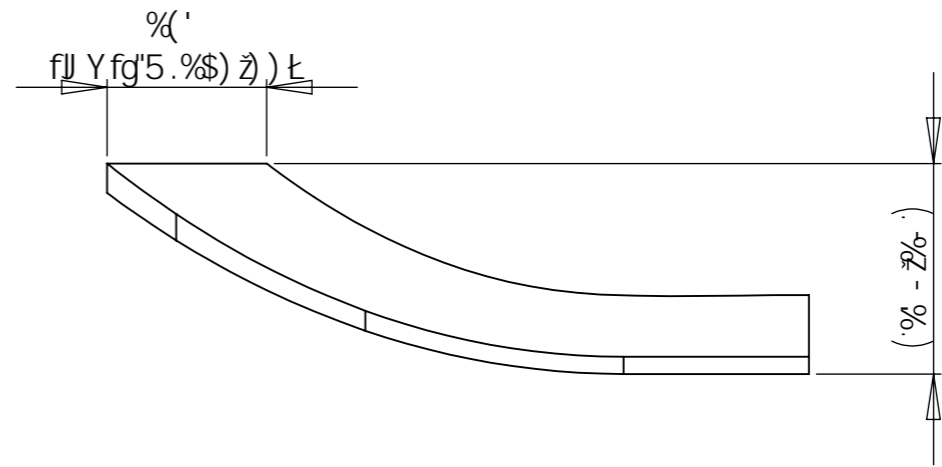
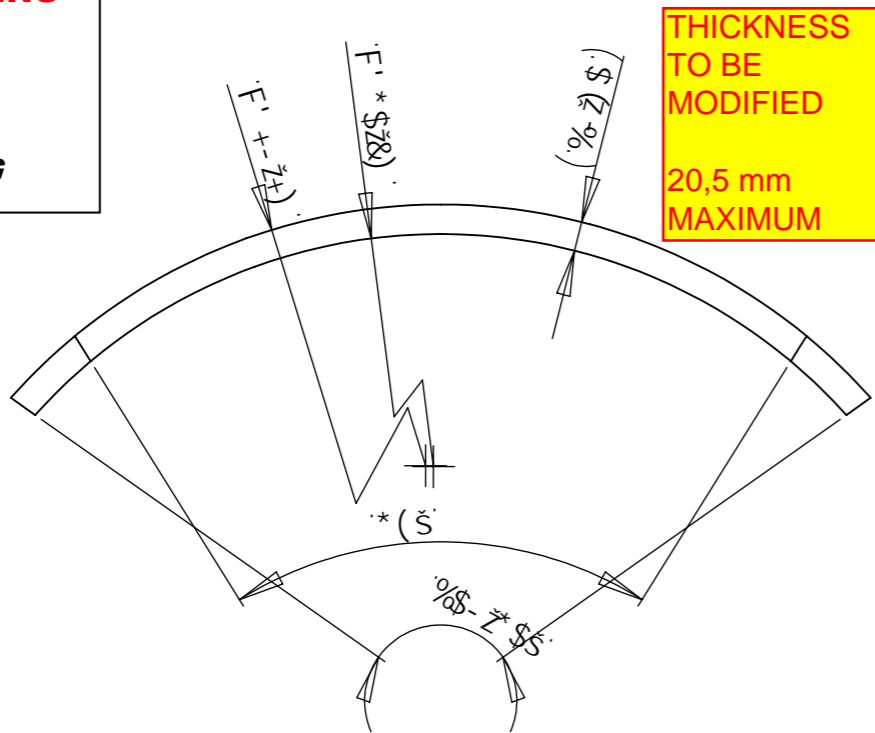


VALIDATED ONLY FOR MATERIAL PURCHASING DIMENSIONS NOT VALIDATED FOR PARTS MANUFACTURING



A 57 < B ; : C @ @ K B ; 7 5 C : @

 MAGNETS AND BEAM TRANSPORT	N=xi dFuh Fi Y XYgZ, FYgA cb[c ZYf :l) * \$\$\$ J UbbYg	Bu a Y	SUY	
		8fuk b[A "8Y VYVe	& \$ # \$ # & \$ % &
		7 \ V W L Y X		
		5ddfcj YX	A 5HF-5@	G11 (EP 11)
			HUJt:	
' % + % 8 8 / > @ ! \$ & & \$	Fci [\ b Ygg.	H: : Yb	Z # \$ "&	
	G dd JYf.			
GD579F ; % ' C : @ M9F ; %	K Y I \ h	("% ? [
	: JY ' bUa Y . ' % + % 8 8 / > @ ! \$ & & \$! % @ (
8K ; ' BC "	' % + % 8 8 / > @ ! & % / %		FYJ .	
			B1	
V @ / b i a e a * A e a A [o h ^ A . ^ a A a a * a] ^ & a A a r) & A / a e o @ i a e e } A e j ; ^ . .				
	See A-40/FFA e3&@FJ I D	5'	G7.5 (0.9%) G< 99H1% C : %	