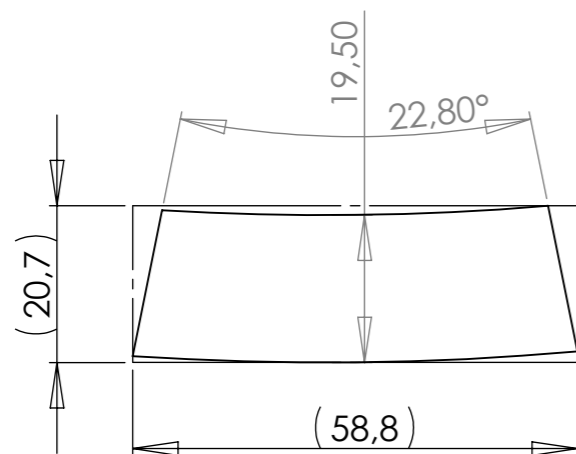




MACHINING FOLLOWING CAO FILE



DÉTAIL A
ECHELLE 1 : 1

 <p>ZI du prat Rue des frères Mongolfier F-56000 Vannes</p> <p>Tel(33) 02.97.01.08.80 Fax (33)02.97.01.08.81 EMAIL Contact@sigmaphi.fr</p>	Name	Date	
	Drawing	M.Delbecq	04/11/2011
	Checked		
	Approved		
	MATERIAL:	Cuivre/Copper	
	Trait.:		
	Roughness :		
	Tol Gen	+/-0.2	
	Supplier:		
	Weight:	8047.89 Kg	
		ERREUR!:SW_Mas/Vo	
	File name:	317111-JLA-0200-117	
DWG NO.	--317111-JLA-0200-117		
	Rev:	A	
<p>This drawing may not be used without special licence or authorisation express (Law of the 11 march 1957)</p>			
		<p>A3 SCALE:1:10 SHEET 1 OF 1</p>	