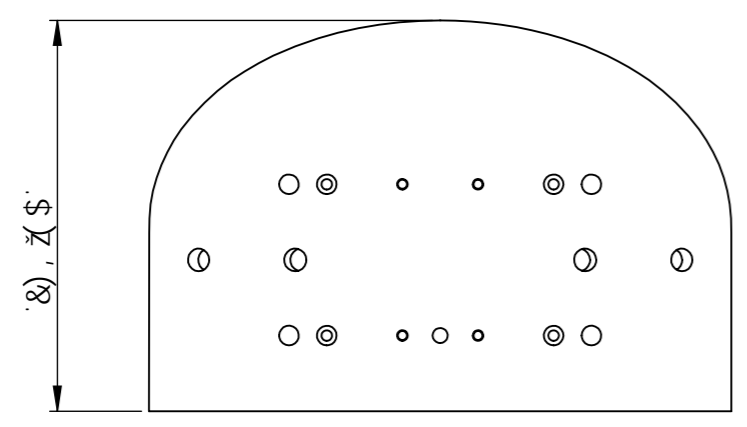
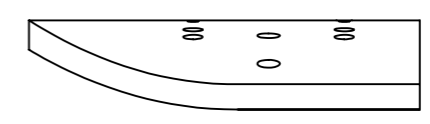
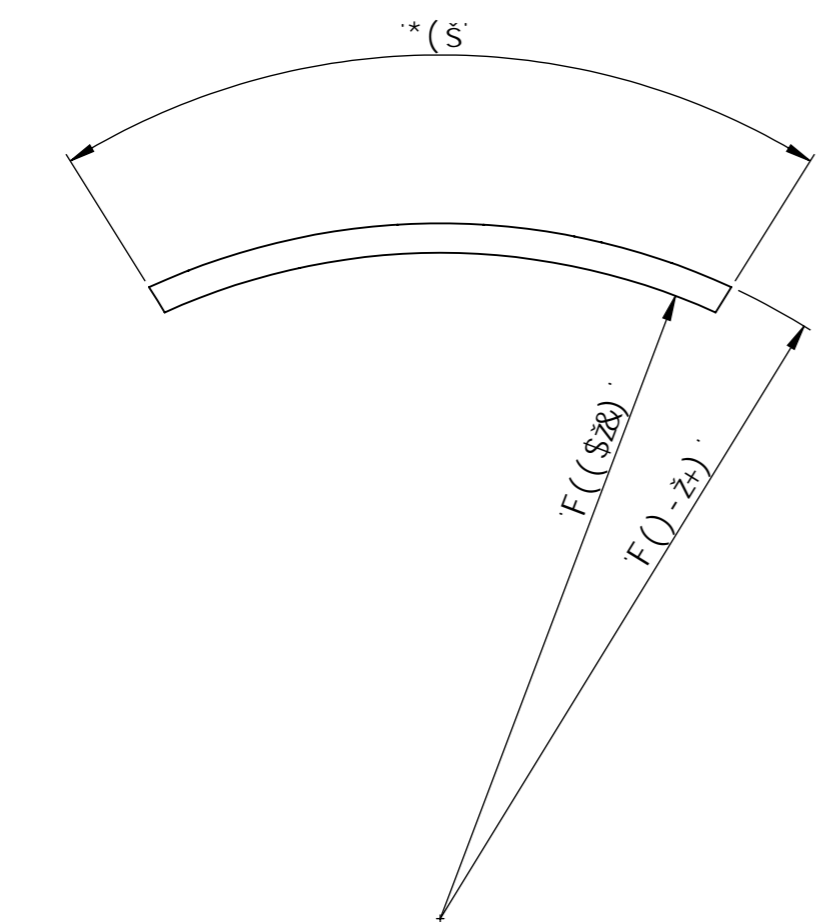

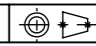


A 57 < B B ; : C @ C K B ; 7 " 5 " C " : @

PRELIMINARY DESIGN
ONLY FOR INFORMATION



 <p>N=xi dFuh Fi Y XYgZ, FYgA cb[c ZYf :!) *\$\$\$ J UbbYg</p>	BUa Y	SUY
	8fuk b[A "8Y VYWe	% # \$ # & \$ % &
7\Y\W\YX		
5ddfcj YX		
H\Tl ' L\$&' + \$%S, ' \$: UI ' Tl ' L\$&' + \$%S, ' % 9A 5 @7 cbUW4 gll a Ud \JZ	A 5HF-5@ -bcl #GU]b YggigYY " \$(@	
	HUJt:	
' % + % 8 8 / > @ ! \$ & \$ \$	Fcl [\ bYgg:	
	Hb : Yb - \$ " &	
	G dd JYf:	
GD579F, \$+ 'C: ' @ M9F,)	K Y I \ b % & ") ? [
	:] Y ' bUa Y . ' % + % 8 8 / > @ ! \$ & \$ \$!) \$ +	
8K : ' BC "		FYJ .
' % + % 8 8 / > @ ! &) \$ +		6
V @ A i a g a " A e d A [o h ^ A . ^ a A a g " a) ^ s a A x) & ^ A / a e c q i a e e } A e j : ^ . . See A - 4 0 A F A e s s @ F J I D	 5'	G 7.5 @ 9 %) G < 9 9 H % C : %