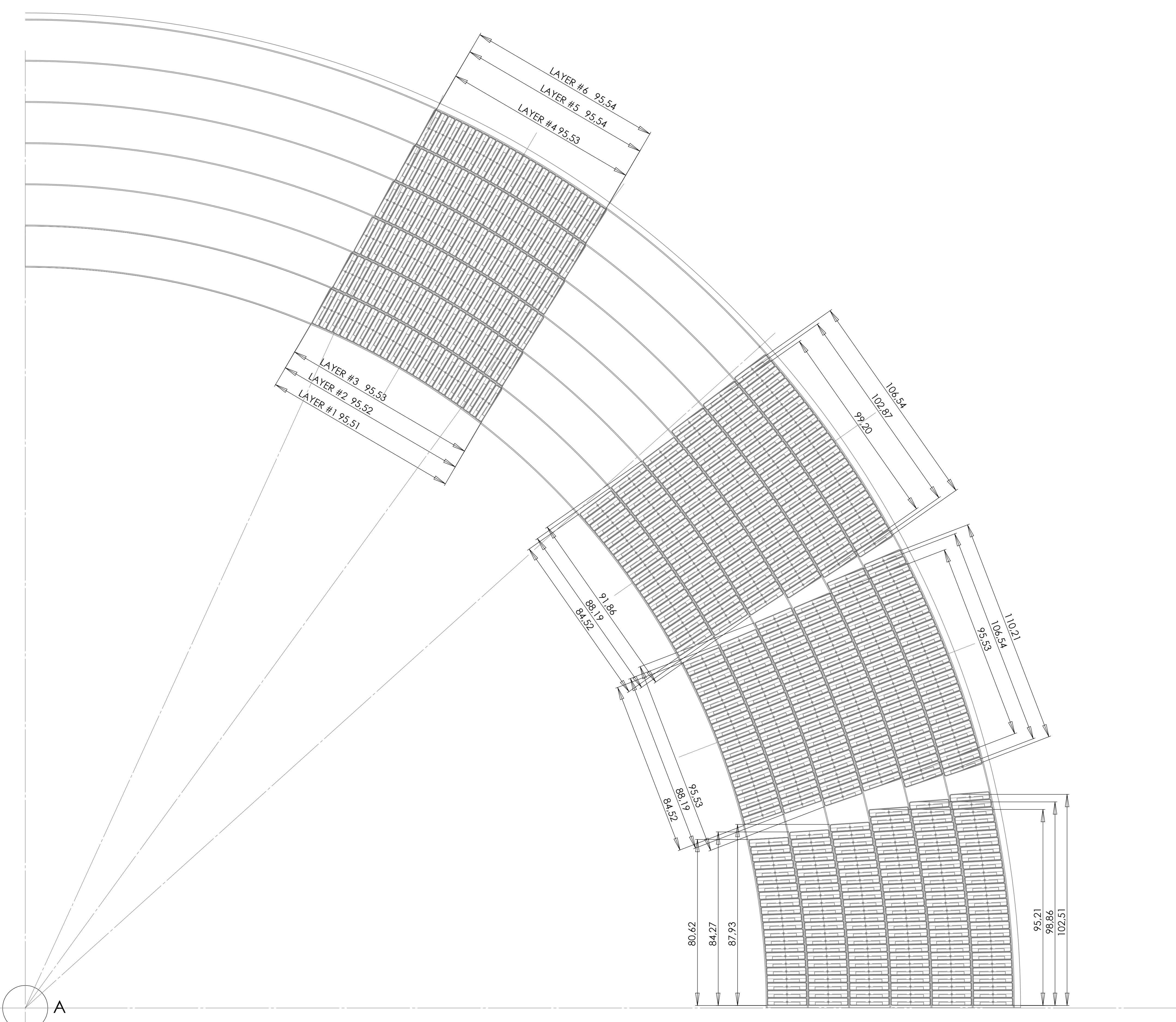
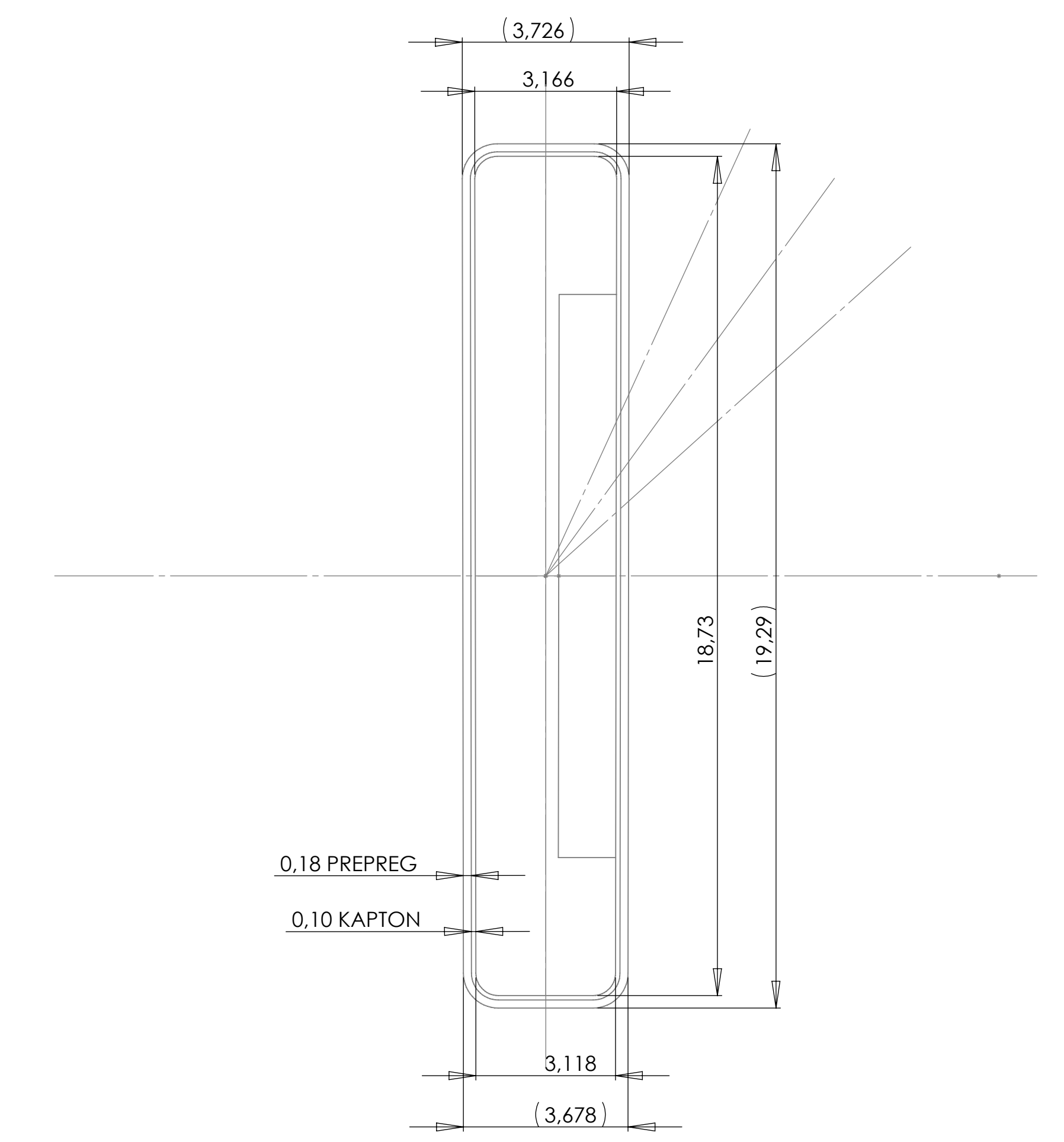


	3.678	BLOCK A		BLOCK B		BLOCK C		BLOCK D
LAYER #1	95.51	<b>26</b>	84.52	<b>23</b>	84.52	<b>23</b>	80.62	<b>22</b>
LAYER #2	95.52	<b>26</b>	88.19	<b>24</b>	88.19	<b>24</b>	84.27	<b>23</b>
LAYER #3	95.53	<b>26</b>	91.86	<b>25</b>	95.53	<b>26</b>	87.93	<b>24</b>
LAYER #4	95.53	<b>26</b>	99.20	<b>27</b>	95.53	<b>26</b>	95.21	<b>26</b>
LAYER #5	95.54	<b>26</b>	102.87	<b>28</b>	106.54	<b>29</b>	98.86	<b>27</b>
LAYER #6	95.54	<b>26</b>	106.54	<b>29</b>	110.21	<b>30</b>	102.51	<b>28</b>
<b>SUM</b>		<b>156</b>		<b>156</b>		<b>158</b>		<b>150</b>



**REVISE**  
Par Frédéric FOREST, 09-33, 17/04/2012

SIGMA PHI		Rue des Vins, Murgallier F-58000 Varennes		SIGMA PHI		
Drawn	M. Delbecq	Checked		Date	11/04/2012	
Approved		Material	Matériau <non spécifié>			
Part		Weight	0.00 Kg			
File name	squelette-bobine-Vers21					
DWG No	<b>317111-JLA-0200-SQL-VERS.21</b>				Rev	<b>A</b>
This drawing may not be used without express approval of authorisation express Date of Rev: 11 March 1997						