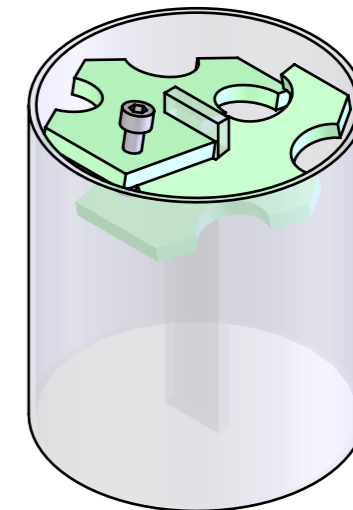
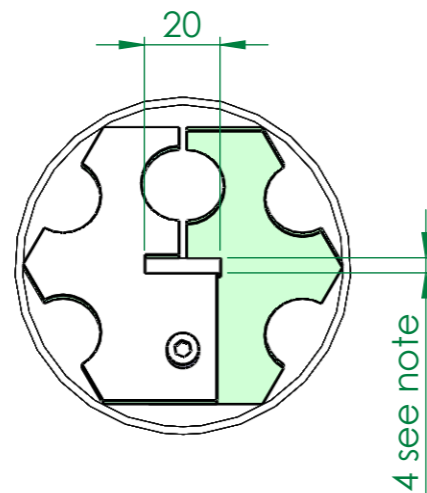




COUPE A-A

NOTE:
The conductor shall be protected by additional layer of insulation in contact area



 <p>ZI du prat Rue des frères Mongolfier F-56000 Vannes</p> <p>Tel(33) 02.97.01.08.80 Fax (33)02.97.01.08.81 EMAIL Contact@sigmaphi.fr</p>	Name		Date
	Drawing	M.Delbecq	16/04/2013
	Checked		
<p>COLD MASS</p> <p>"conductor in tube" support</p>		MATERIAL:	-
		Trait.:	
		Roughness :	
		Tol Gen	
		Supplier:	
		Weight:	0.09 Kg
			0.00
		File name:317111-JLA-700-004	
DWG NO.		Rev:	
<p>317111-JLA-700-004</p>		<p>A</p>	
<p><small>This drawing may not be used without special licence or authorisation express (Law of the 11 march 1957)</small></p>			<p>A3 SCALE:1:2 SHEET 1 OF 1</p>