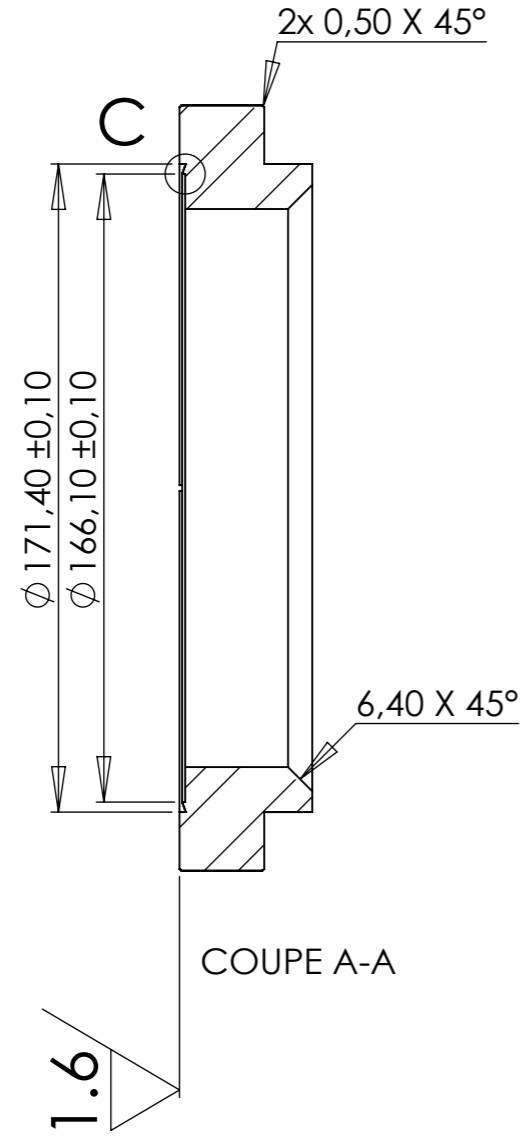
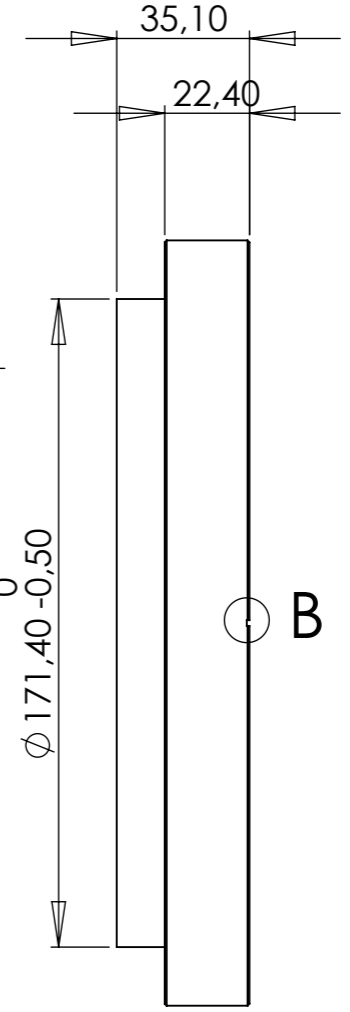
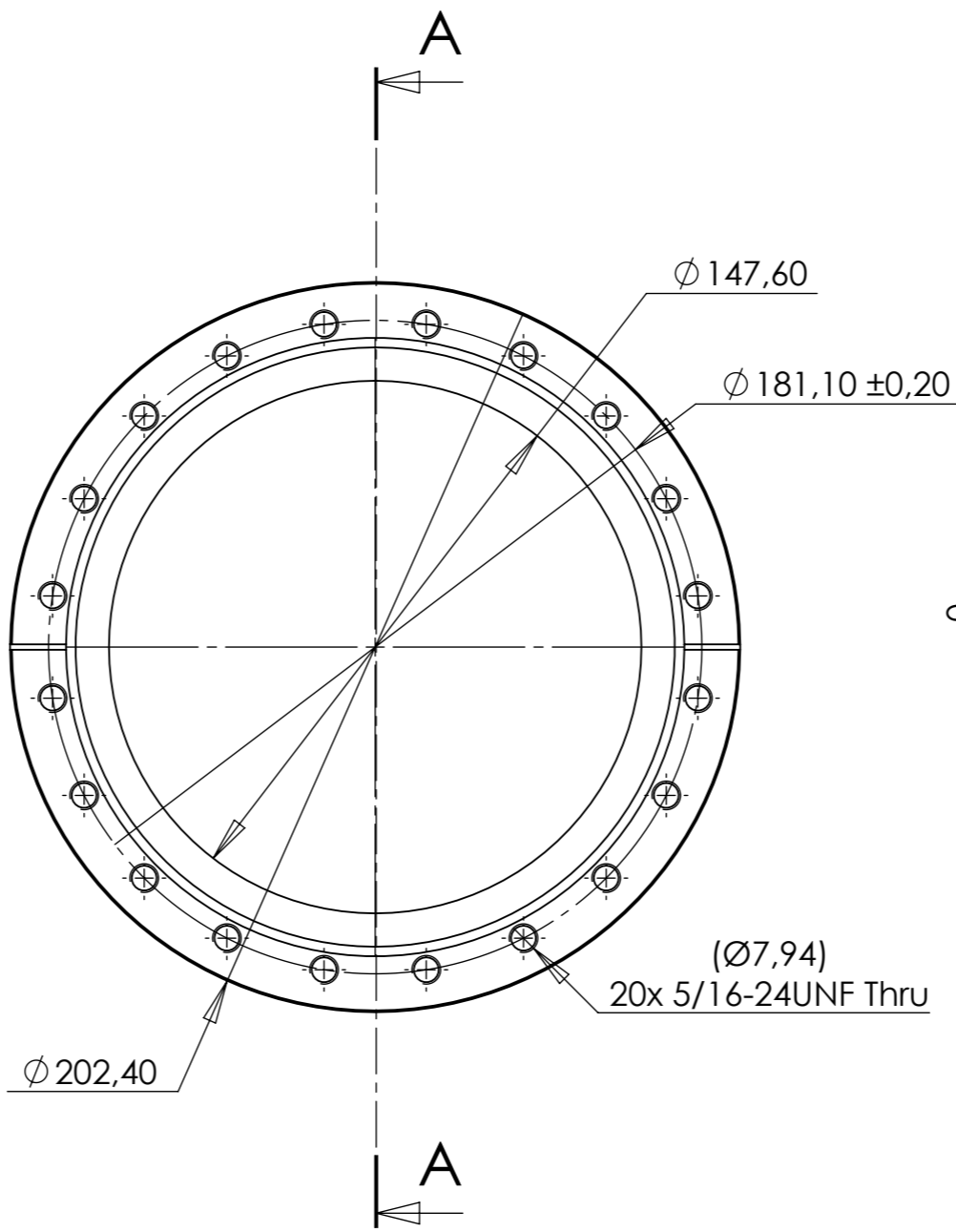


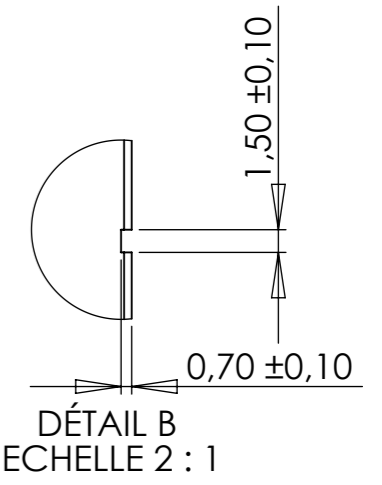
DÉTAIL C  
ECHELLE 2 : 1



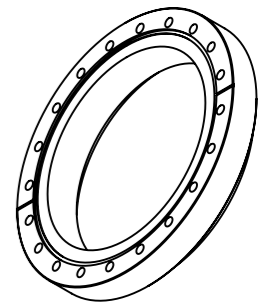
COUPE A-A



B



DÉTAIL B  
ECHELLE 2 : 1



REVISIONS				
ZONE	REV.	DESCRIPTION	DATE	APPROUVE
	C	correction about reference of standard flange	26/04/2012	

CAN BE A MODIFIED " 160 CF " standard flange

<p>ZI du prat Rue des frères Mongolfier F-56000 Vannes</p> <p>Tel(33) 02.97.01.08.80 Fax (33)02.97.01.08.81 EMAIL Contact@sigmaphi.fr</p>	Name	M. Delbecq	Date	16/04/2013
	Drawing			
	Checked			
	Approved			
	MATERIAL:	Inox/Stainless steel 304L		
	Trait.:			
	Roughness :			
	Tol Gen	+/- 1		
	Supplier:			
	Weight:	2.76 Kg		
		ERREUR:SW_Mas/Vo		
	File name:	317111-JLA-701-019		
DWG NO.	<b>317111-JLA-701-019</b>			Rev:
				<b>D</b>
<p>This drawing may not be used without special licence or authorisation express (Law of the 11 march 1957)</p>				<p>⊕ A3 SCALE:1:2 SHEET 1 OF 1</p>