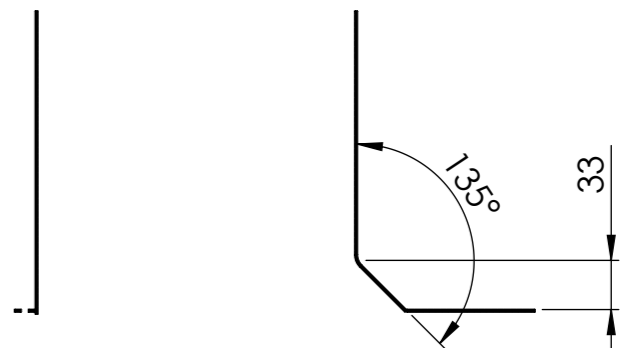
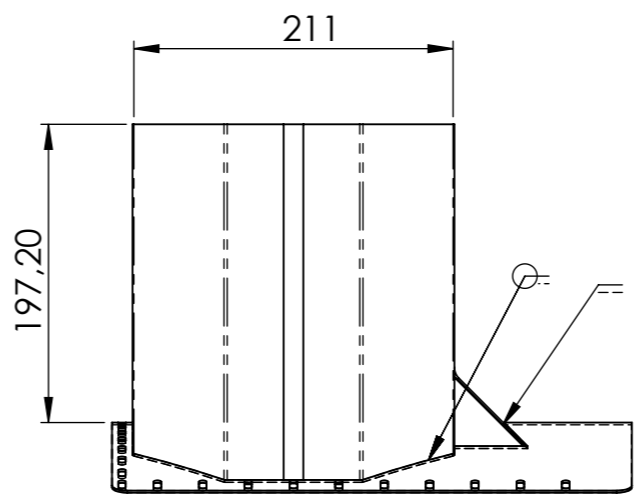
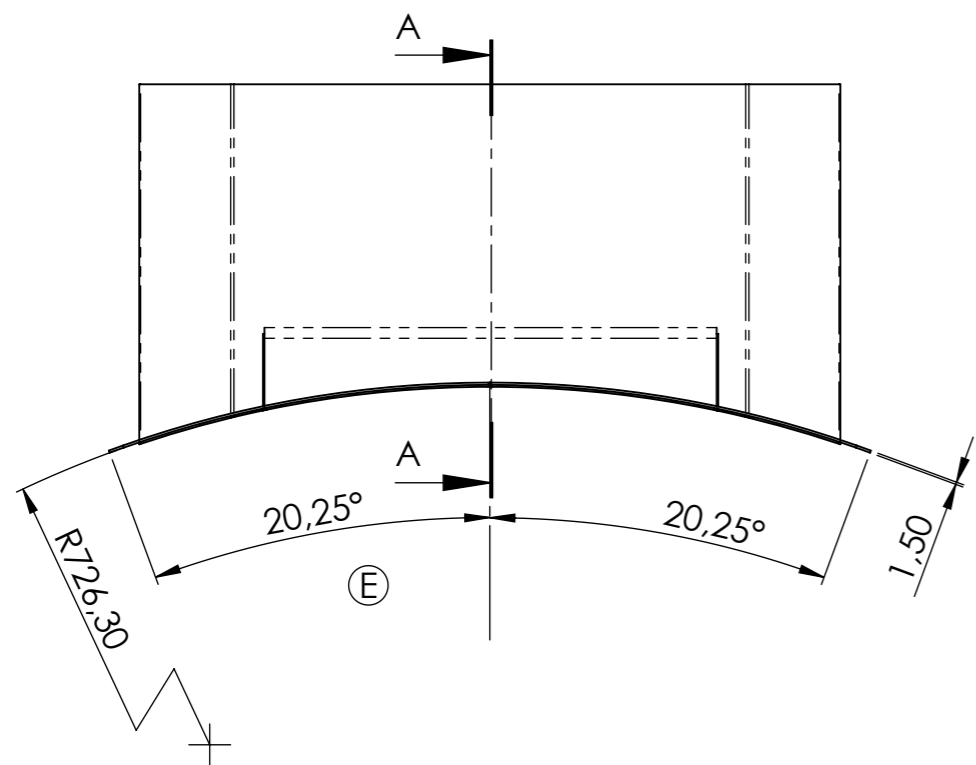
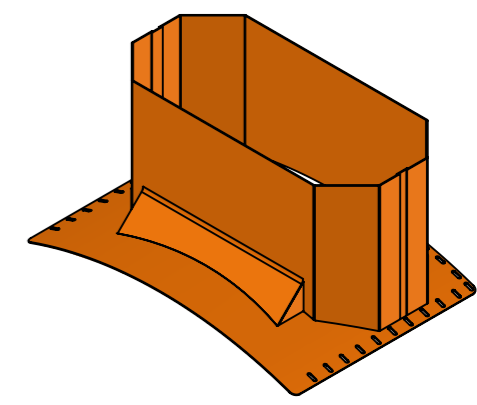
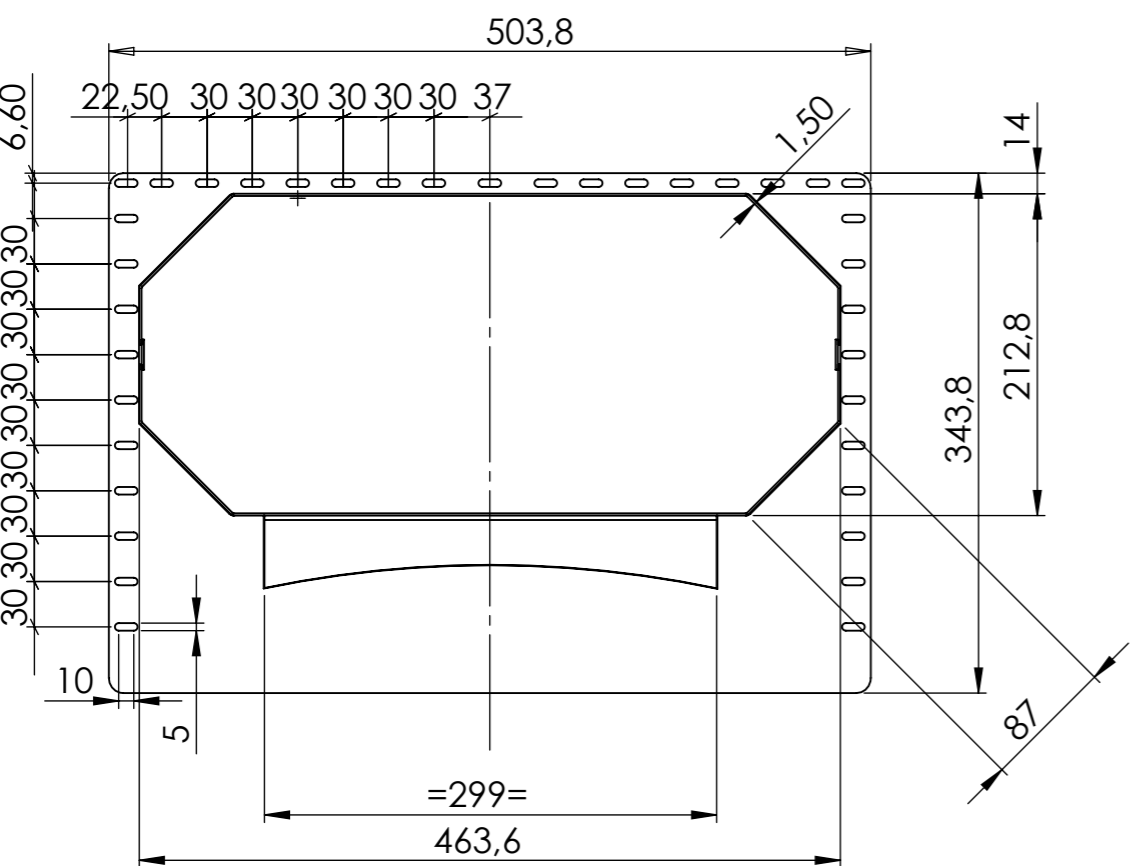



REVISIONS				
ZONE	REV.	DESCRIPTION	DATE	APPROUVE
	E	changed Ø	05/11/2012	
	F	added chamfer	17/04/2013	



SECTION A-A



 <p>ZI du prat Rue des frères Mongolfier F-56000 Vannes</p> <p>Tel(33) 02.97.01.08.80 Fax (33)02.97.01.08.81 EMAIL Contact@sigmaphi.fr</p>	Name	Date	
	Drawing	M.Delbecq	17/04/2013
	Checked		
	Approved		
	MATERIAL:	Cuivre/Copper	
	Trait.:		
	Roughness :		
	Tol Gen	+/-1	
	Supplier:		
	Weight:	4.04 kg	
	File name:	317111-JLA-702-010	
DWG NO.	317111-JLA-702-010		
	Rev:	F	
<p>This drawing may not be used without special licence or authorisation express (Law of the 11 march 1957)</p>			
	A3	SCALE:1:5 SHEET 1 OF 1	