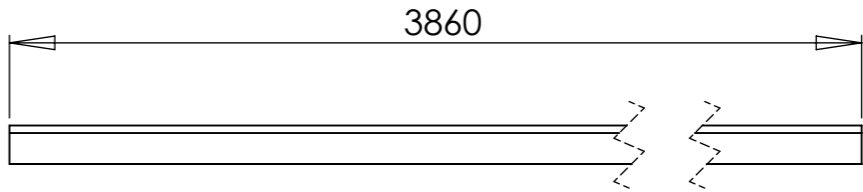
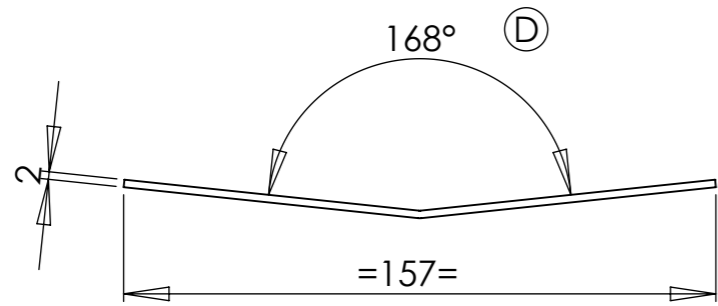

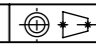


REVISIONS				
ZONE	REV.	DESCRIPTION	DATE	APPROUVE
	D	added a ply	05/07/2012	



 <p>ZI du prat Rue des frères Mongolfier F-56000 Vannes</p> <p>Tel(33) 02.97.01.08.80 Fax (33)02.97.01.08.81 EMAIL Contact@sigmaphi.fr</p>	Name	
	Drawing	M.Delbecq
	Checked	
	Date	16/04/2013
	Approved	
	MATERIAL:	304L (X2CrNi18-9)
	Trait.:	
ANTI-RADIATION SCREEN	Roughness :	
	Tol Gen	+/-3
	Supplier:	
bar connection 3	Weight:	9.59 Kg
		ERREUR!SW_Mas/Vo
	File name:	317111-JLA-702-020
DWG NO.	317111-JLA-702-020	
	Rev:	D
<p>This drawing may not be used without special licence or authorisation express (Law of the 11 march 1957)</p>		
		A3 SCALE:1:1 SHEET 1 OF 1