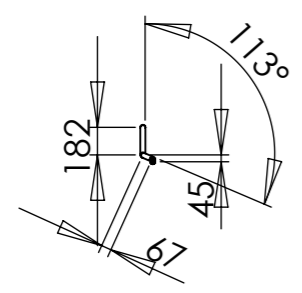
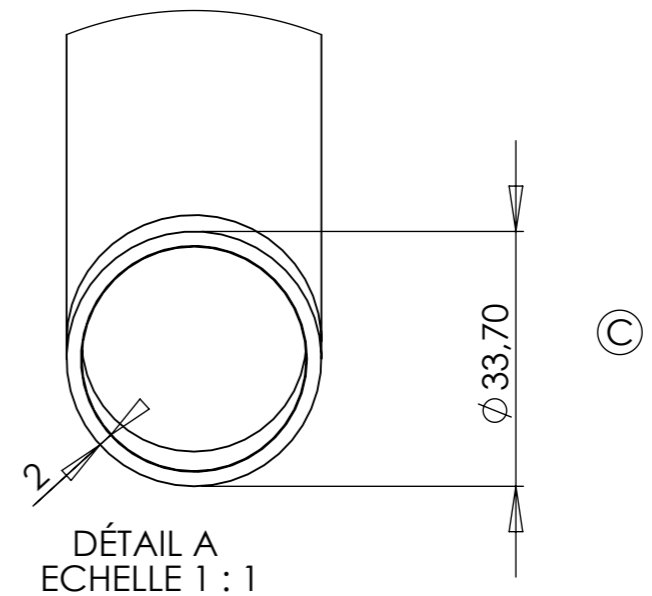
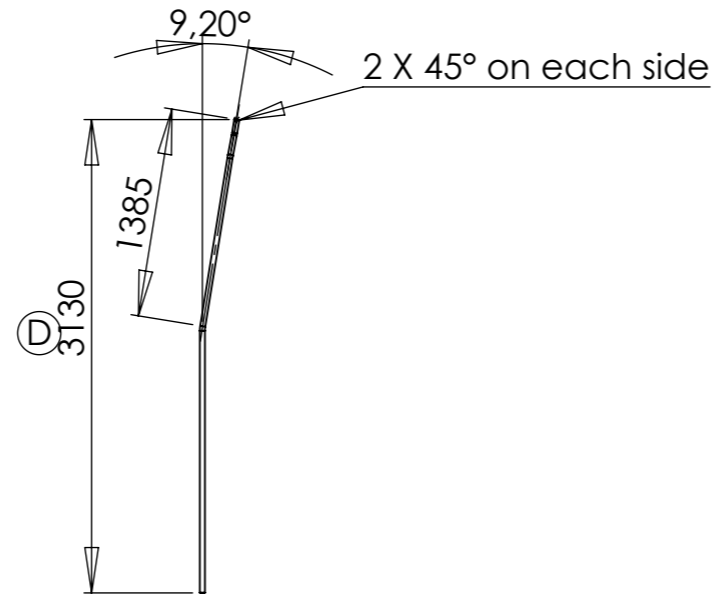




A



REVISIONS

ZONE	REV.	DESCRIPTION	DATE	APPROUVE
	C	changed Ø and other dimensions	06/07/2012	
	D	changed height	15/04/2013	

 <p>ZI du prat Rue des frères Mongolfier F-56000 Vannes</p> <p>Tel(33) 02.97.01.08.80 Fax (33)02.97.01.08.81 EMAIL Contact@sigmaphi.fr</p>	Name		Date	
	Drawing	M. Delbecq	16/04/2013	
	Checked			
	Approved			
	MATERIAL:	Inox/Stainless steel 304L		
	Trait.:			
ANTI-RADIATION SCREEN		Roughness :		
	Tol Gen	±1		
	Supplier:			
	Weight:	4.59 Kg		
		0.00		
		File name:317111-JLA-702-028		
DWG NO.		317111-JLA-702-028		Rev:
				D
This drawing may not be used without special licence or authorisation express (Law of the 11 march 1957)				 A3 SCALE:1:50 SHEET 1 OF 1