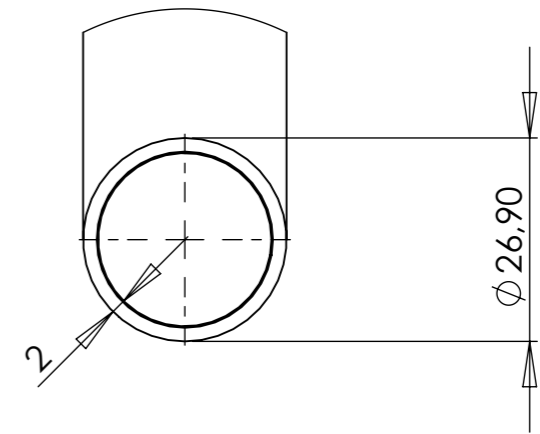
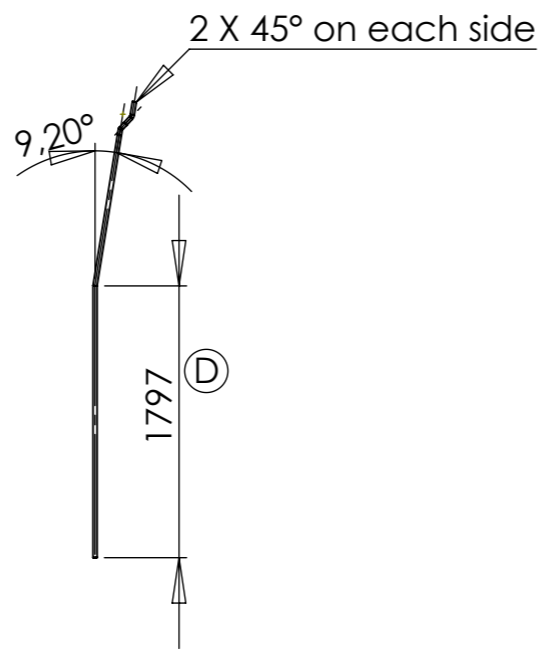
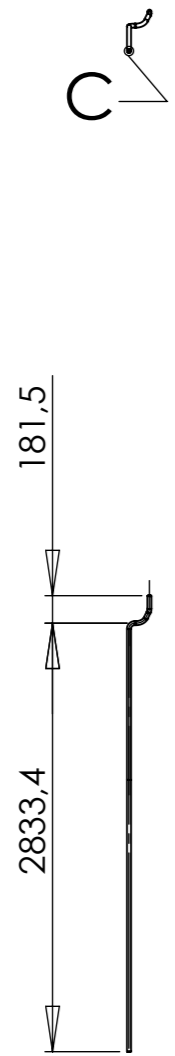
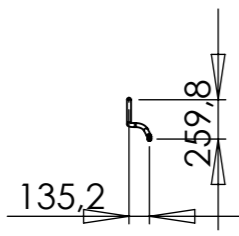




REVISIONS				
ZONE	REV.	DESCRIPTION	DATE	APPROUVE
	D	changed height	15/04/2013	



DÉTAIL C
ECHELLE 1 : 1



 <p>ZI du prat Rue des frères Mongolfier F-56000 Vannes</p> <p>Tel(33) 02.97.01.08.80 Fax (33)02.97.01.08.81 EMAIL Contact@sigmaphi.fr</p>	Name	Date	
	Drawing	M. Delbecq	16/04/2013
	Checked		
	Approved		
	MATERIAL:	Inox/Stainless steel 304L	
	Trait.:		
ANTI-RADIATION SCREEN	Roughness :		
	Tol Gen	±1	
	Supplier:		
Pipe #29	Weight:	3.57 Kg	
		0.00	
	File name:317111-JLA-702-029		
DWG NO.	317111-JLA-702-029		
	Rev:	D	
<p>This drawing may not be used without special licence or authorisation express (Law of the 11 march 1957)</p>			
		<p>A3 SCALE:1:50 SHEET 1 OF 1</p>	