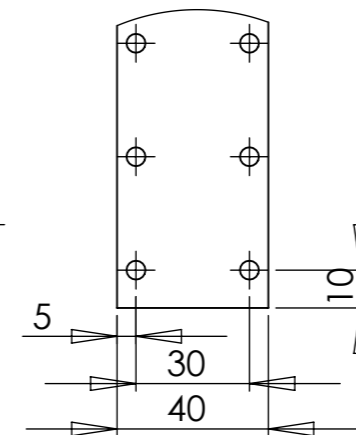



DÉTAIL A
ECHELLE 1 : 2



DÉTAIL B
ECHELLE 1 : 2



 <p>ZI du prat Rue des frères Mongolfier F-56000 Vannes</p> <p>Tel(33) 02.97.01.08.80 Fax (33)02.97.01.08.81 EMAIL Contact@sigmaphi.fr</p>	Name	Date
	Drawing	M. Delbecq
	Checked	
	Approved	
	MATERIAL:	Cuivre/Copper
	Trait.:	
	Roughness :	
	Tol Gen	+/- 1
	Supplier:	
	Weight:	1.04 Kg
		ERREUR!SW_Mas/Vo
		File name:317111-JLA-702-038
DWG NO.	317111-JLA-702-038	
	Rev:	C
<p>This drawing may not be used without special licence or authorisation express (Law of the 11 march 1957)</p>		
	A3	SCALE:1:20 SHEET 1 OF 1