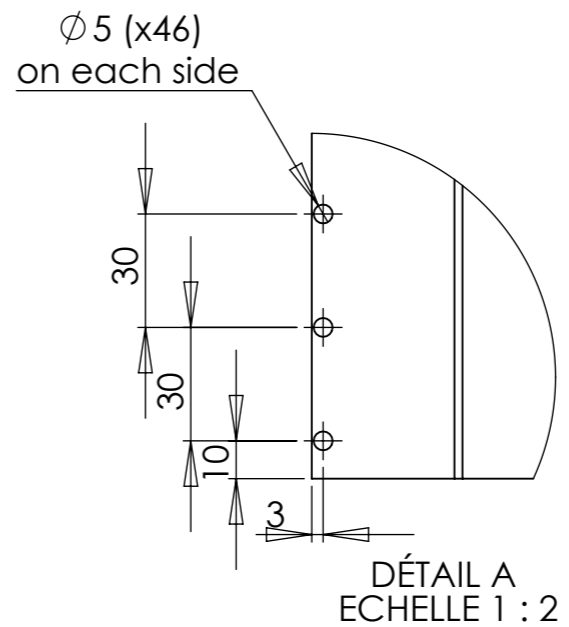
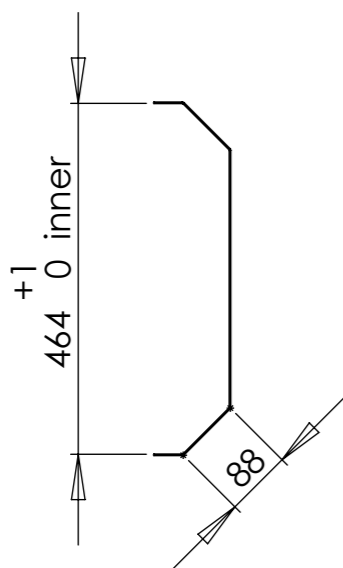
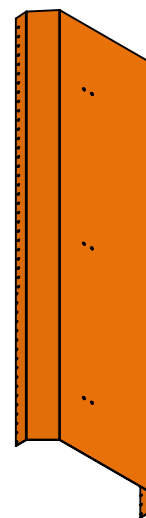




DÉTAIL B  
ECHELLE 1 : 2



DÉTAIL A  
ECHELLE 1 : 2



 <p>ZI du prat Rue des frères Mongolfier F-56000 Vannes</p> <p>Tel(33) 02.97.01.08.80 Fax (33)02.97.01.08.81 EMAIL Contact@sigmaphi.fr</p>	Name	Date	
	Drawing	M. Delbecq	17/04/2013
	Checked		
	Approved		
	MATERIAL:	Cuivre/Copper	
	Trait.:		
	Roughness :		
	Tol Gen	+/-1	
	Supplier:		
	Weight:	9.75 Kg	
		ERREUR!SW_Mas/Vo	
		File name:317111-JLA-702-043	
DWG NO.	317111-JLA-702-043		
	Rev:	C	
<p>This drawing may not be used without special licence or authorisation express (Law of the 11 march 1957)</p>			
	 A3	SCALE:1:10 SHEET 1 OF 1	