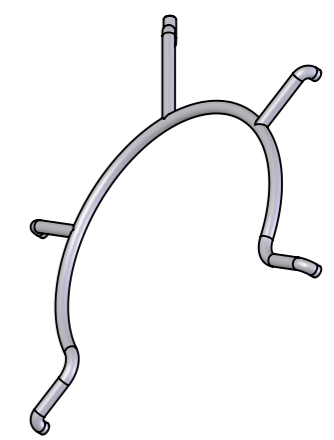
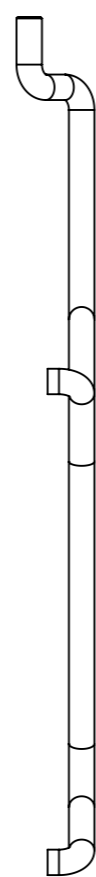
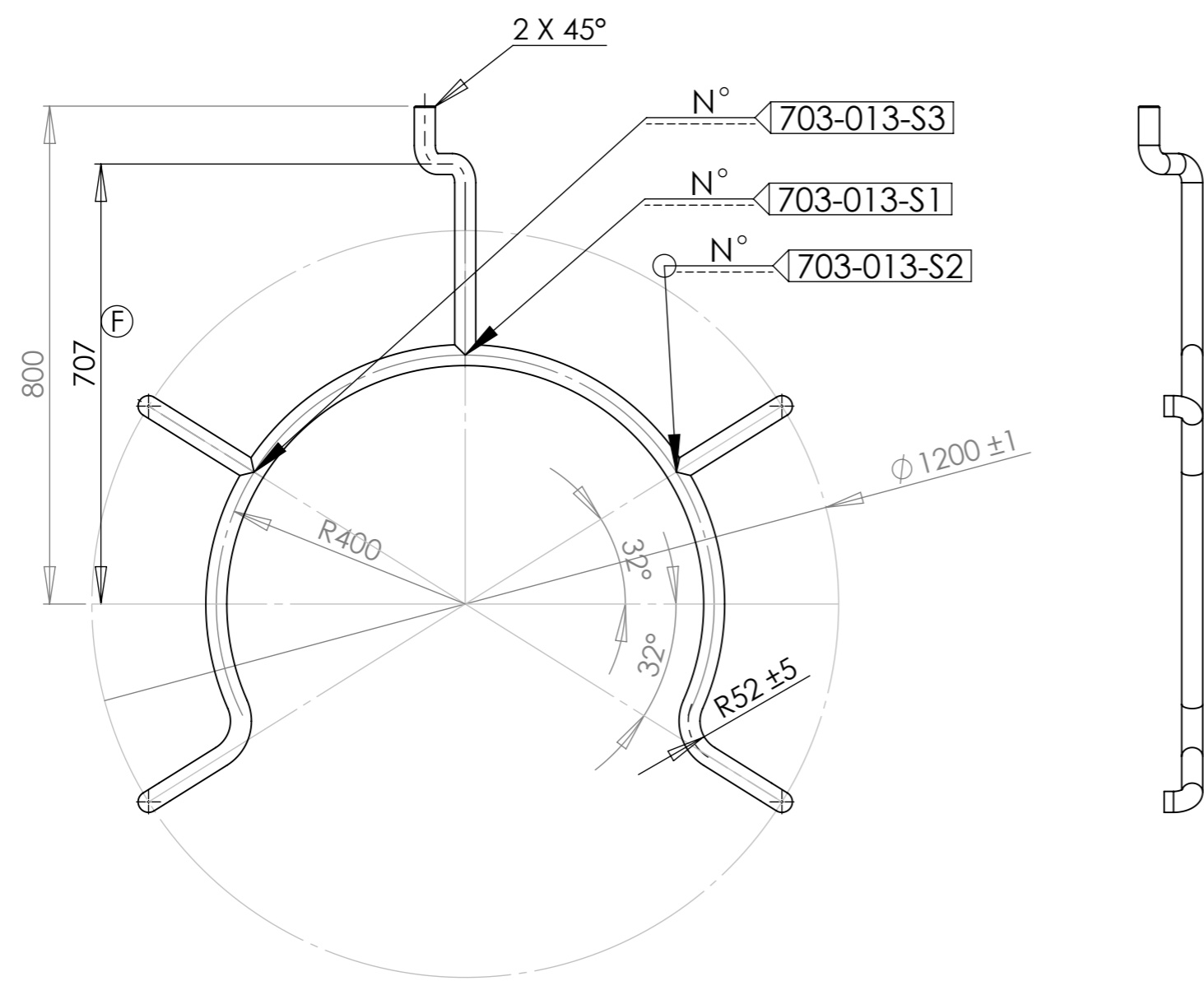
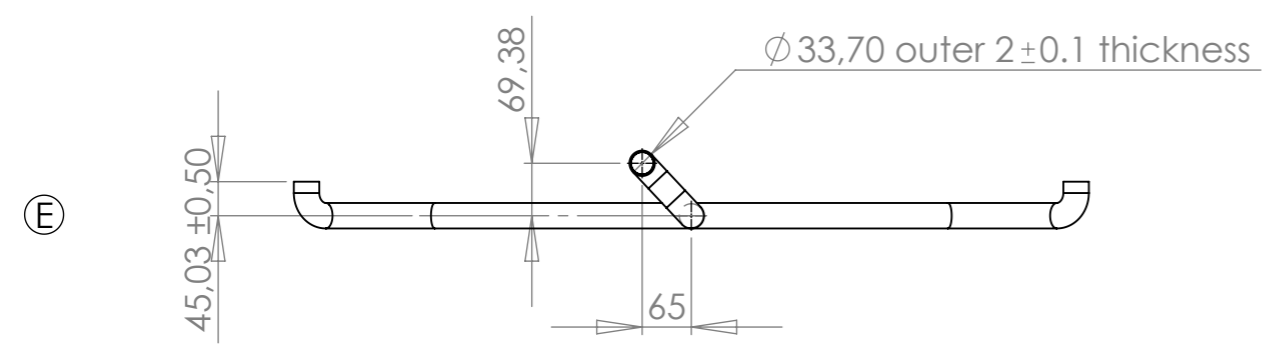


6		7 REVISIONS		8
ZONE	REV.	DESCRIPTION	DATE	APPROUVE
	E	CHANGED HEIGHT + ADDED CHAMFER	11/06/2012	A
	F	changed dimension	17/04/2013	



NOTE:
 - All dimensions in mm.
 - Material: 304L or 316L
 - Content liquid helium at 4K.
 - Design pressure: 7atm absolute from 4K to 300K (inner pressure).
 - Design and manufacturing according to AMSE BPV.
 - Helium leakage test: 10⁻⁹ mbar.l/s



ZI du prat Rue des frères Mongolfier F-56000 Vannes Tel(33) 02.97.01.08.80 Fax (33)02.97.01.08.81 EMAIL Contact@sigmaphi.fr		Name	Date
		Drawing	M. Delbecq 17/04/2013
		Checked	
He VESSEL		Approved	
		MATERIAL:	304L (X2CrNi18-9)
OMEGA PIPING		Trait.:	
		Roughness:	
		Tol Gen	+/-3
DWG NO. 317111-JLA-703-013		Supplier:	
		Weight:	4.71 Kg
This drawing may not be used without special licence or authorisation express (Law of the 11 march 1957)			0.00
		File name:317111-JLA-703-013	
Rev: F		SCALE:1:10 SHEET 1 OF 1	