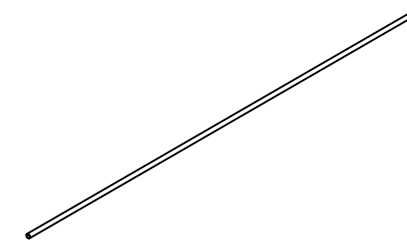
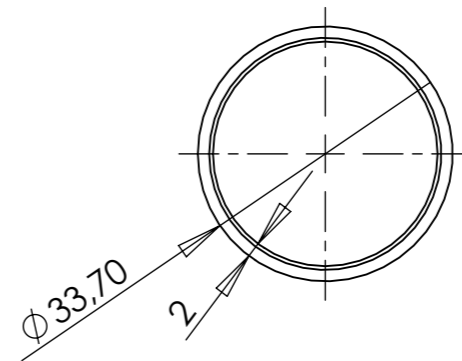
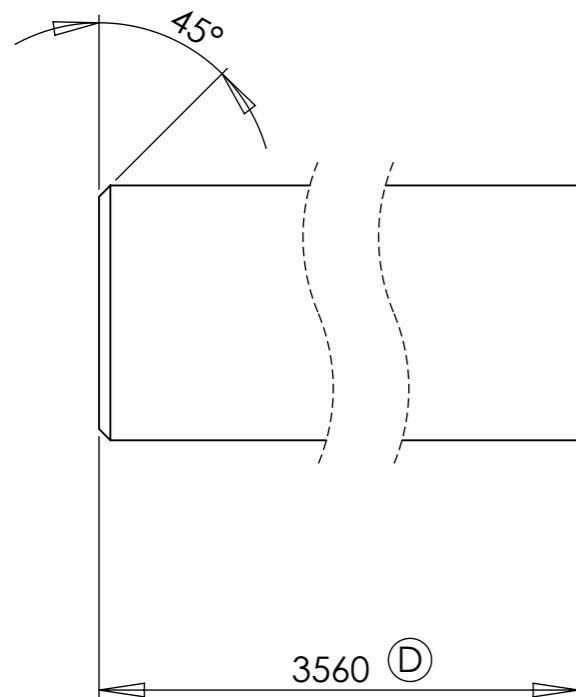




REVISIONS				
ZONE	REV.	DESCRIPTION	DATE	APPROUVE
	D	changed length	17/04/2013	



 <p>ZI du prat Rue des frères Mongolfier F-56000 Vannes</p> <p>Tel(33) 02.97.01.08.80 Fax (33)02.97.01.08.81 EMAIL Contact@sigmaphi.fr</p>	Name	Date	
	Drawing	M. Delbecq	17/04/2013
	Checked		
	Approved		
<b>He VESSEL</b>	MATERIAL:	304L (X2CrNi18-9)	
	Trait.:		
	Roughness :		
	Tol Gen	+/-2	
<b>FINAL HELIUM SUPPLYING PIPE</b>	Supplier:		
	Weight:	5.60 Kg	
		0.00	
File name:317111-JLA-703-014			
DWG NO.	Rev:		
<b>317111-JLA-703-014</b>	<b>D</b>		
This drawing may not be used without special licence or authorisation express (Law of the 11 march 1957)			
	A3	SCALE:1:50 SHEET 1 OF 1	