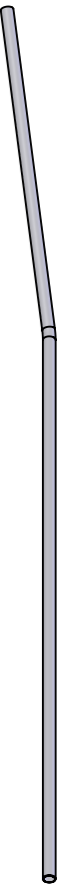
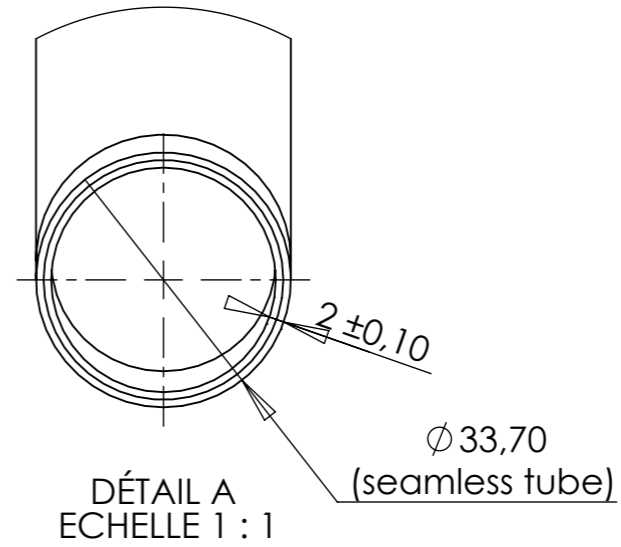
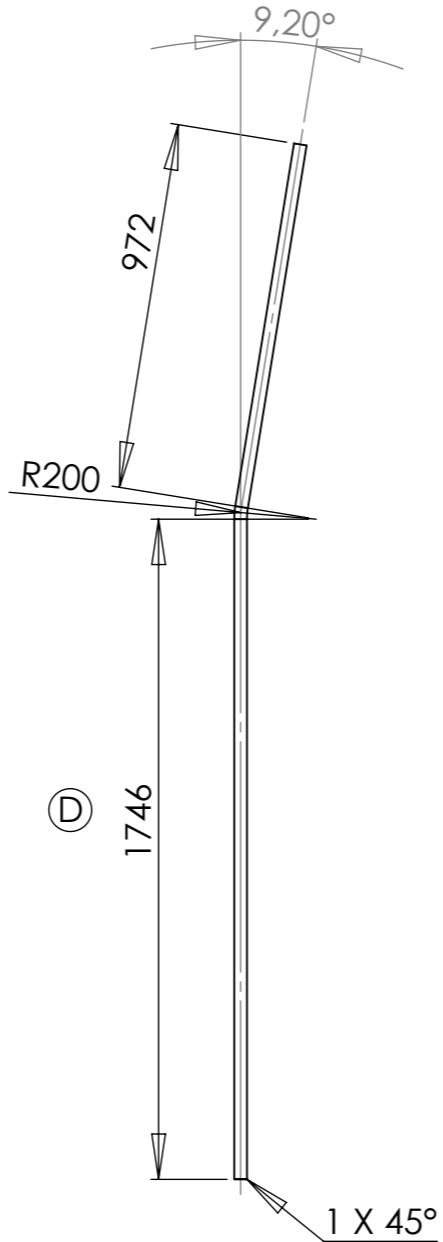


REVISIONS				
ZONE	REV.	DESCRIPTION	DATE	APPROUVE
	D	changed lenght	17/04/2013	



<p>ZI du prat Rue des frères Mongolfier F-56000 Vannes</p> <p>Tel(33) 02.97.01.08.80 Fax (33)02.97.01.08.81 EMAIL Contact@sigmaphi.fr</p>	Name	Date
	Drawing	M. Delbecq
	Checked	
	Approved	
He VESSEL	MATERIAL:	304L (X2CrNi18-9)
	Trait.:	
	Roughness :	
	Tol Gen	±1
HE SUPPLYING PIPE (intermed.)	Supplier:	
	Weight:	4.33 Kg
		0.00
	File name:317111-JLA-703-024	
DWG NO.	Rev:	
317111-JLA-703-024	D	
This drawing may not be used without special licence or authorisation express (Law of the 11 march 1957)		
		A3 SCALE:1:20 SHEET 1 OF 1