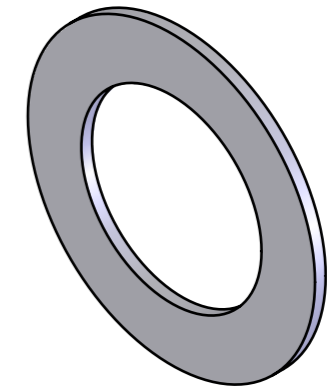
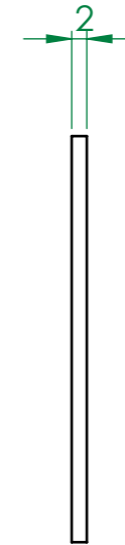
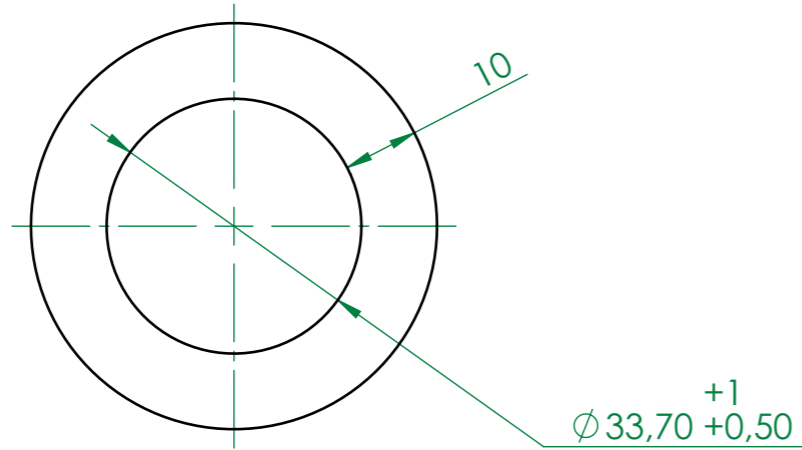




| REVISIONS | | | | |
|-----------|------|-------------|------------|------------|
| ZONE | REV. | DESCRIPTION | DATE | AUTHOR |
| | A | CREATION | 17/04/2013 | M. DELBECQ |



| | | |
|---|---------------------------|----------------------------------|
|  <p>ZI du prat Rue des frères Mongolfier F-56000 Vannes</p> <p>Tel(33) 02.97.01.08.80 Fax (33)02.97.01.08.81 EMAIL Contact@sigmaphi.fr</p> | Name | Date |
| | Drawing M. DELBECQ | 17/04/2013 |
| | Checked | |
| | Approved | |
| He VESSEL | MATERIAL: | 304L (X2CrNi18-9) |
| | Trait.: | |
| | Roughness : | |
| | Tol Gen | ±1 |
| Bague | Supplier: | |
| | Weight: | 0.02 Kg |
| File name:317111-JLA-703-045 | | |
| DWG NO. 317111-JLA-703-045 | Rev: A | |
| <p>This drawing may not be used without special licence or authorisation express (Law of the 11 march 1957)</p> | | |
|  | | <p>A3 SCALE:1:1 SHEET 1 OF 1</p> |