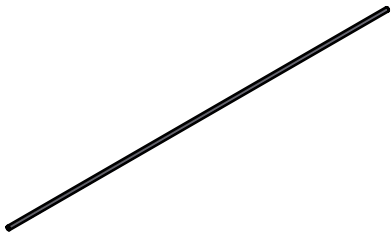
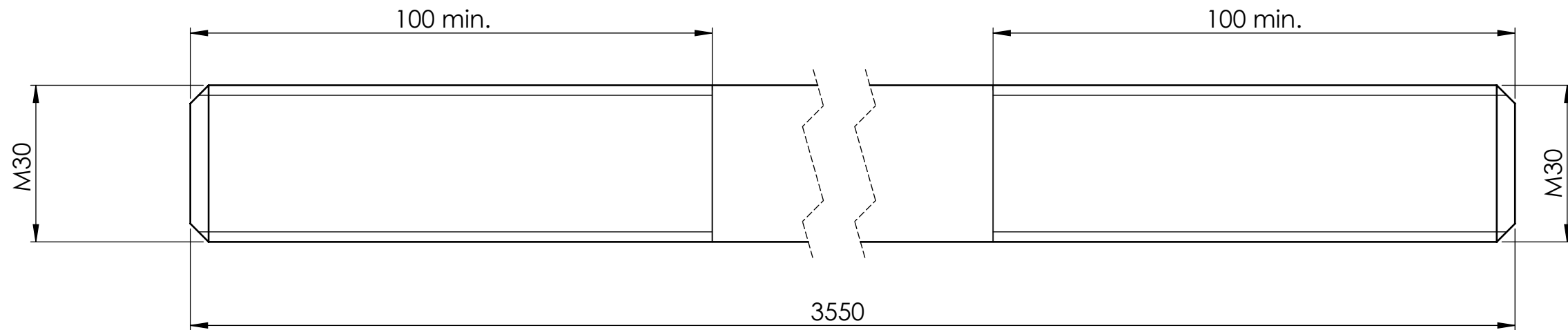
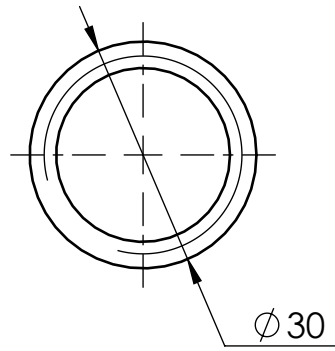




REVISIONS				
ZONE	REV.	DESCRIPTION	DATE	AUTHOR
	A	CREATION	06/11/12	



 <p>ZI du prat Rue des frères Mongolfier F-56000 Vannes</p> <p>Tel(33) 02.97.01.08.80 Fax (33)02.97.01.08.81 EMAIL Contact@sigmaphi.fr</p>	Name	Date
	Drawing M. Delbecq	16/04/2013
	Checked	
	Approved	
Force rings	MATERIAL:	Inox/Stainless steel 304L
	Trait.:	
	Roughness :	
	Tol Gen	
Tie rods	Supplier:	
	Weight:	18.31 Kg
File name:317111-JLA-704-006		
DWG NO. 317111-JLA-704-006	Rev: A	
<p>This drawing may not be used without special licence or authorisation express (Law of the 11 march 1957)</p>		
		A3 SCALE:1:1 SHEET 1 OF 1