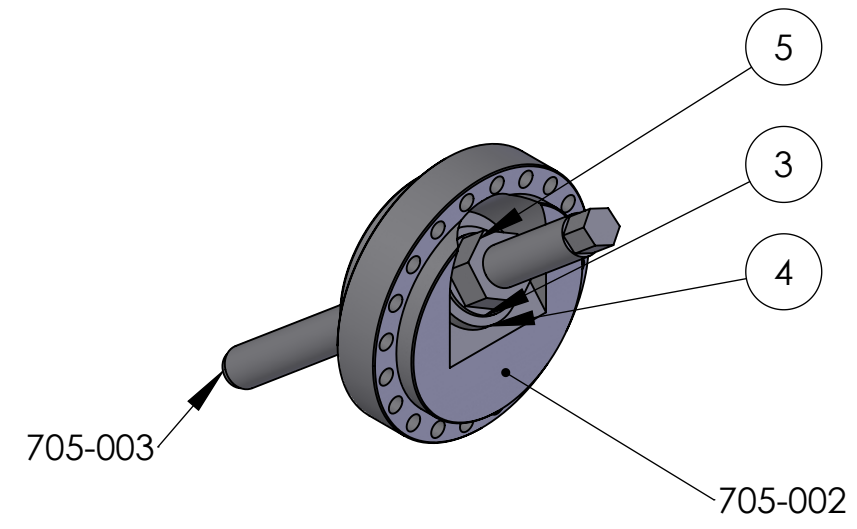
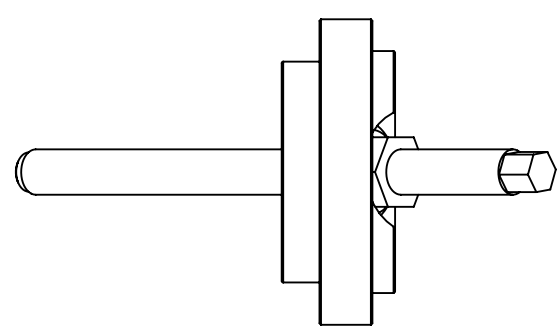
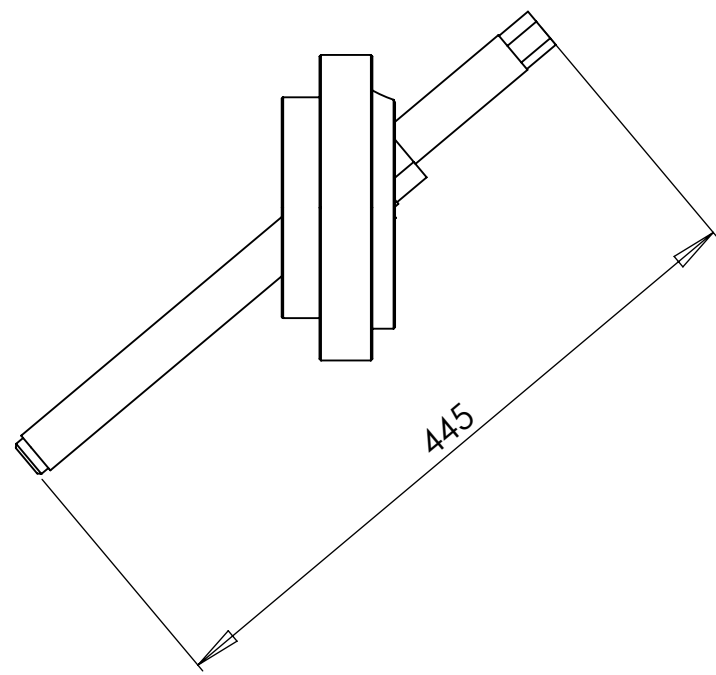



1	2	3	4	5	6	7	8
REP	REFERENCE	DESIGNATION	QTY	REV	MATERIAL	SUPPLIER	MASS (Kg)
705-002	317111-JLA-705-002	Transport plate	1	E	E24		11.48
705-003	317111-JLA-705-003	Threaded rod for transport	1	C	E36		2.47
9003	Rondelle Acier portée sphérique intérieure 30	NVI9000	1		Zingué steel /classe 8.8 acier		
9004	Rondelle Acier portée sphérique extérieure 30	NVI9000	1		Zingué steel /classe 8.8 acier		
9005	Ecrou H M 30 Acier Zingué	NVIEC0029	1				



REVISIONS				
ZONE	REV.	DESCRIPTION	DATE	APPROUVE
	D	evolution of components	09/07/2012	

 <p>ZI du prat Rue des frères Mongolfier F-56000 Vannes</p> <p>Tel(33) 02.97.01.08.80 Fax (33)02.97.01.08.81 EMAIL Contact@sigmaphi.fr</p>	Name	Date	
	Drawing	M. Delbecq	16/04/2013
	Checked		
	Approved		
<p><b>DIPOLE</b></p> <p><b>Transport suspension</b></p>	MATERIAL:	See assembly	
	Trait.:		
	Roughness :		
	Tol Gen		
	Supplier:		
	Weight:	14.50 Kg	
		0.00	
	File name:317111-JLA-705-001		
DWG NO.	317111-JLA-705-001		
	Rev:	E	
<p>This drawing may not be used without special licence or authorisation express (Law of the 11 march 1957)</p>			
	A3	SCALE:1:5 SHEET 1 OF 1	