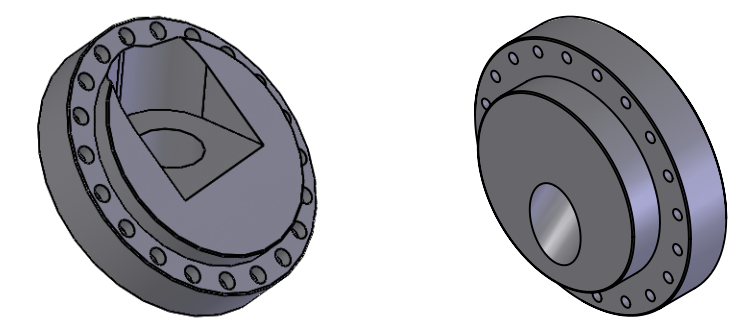
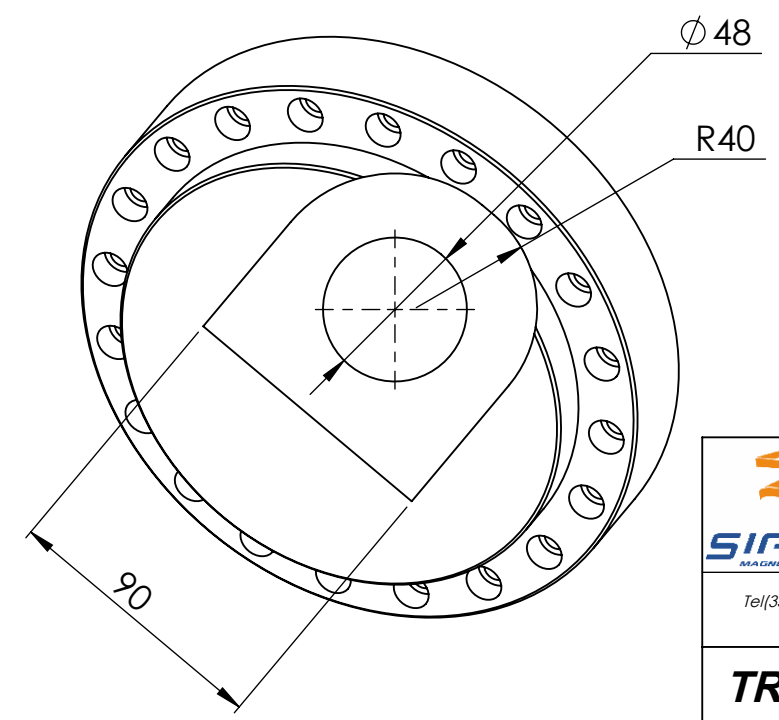
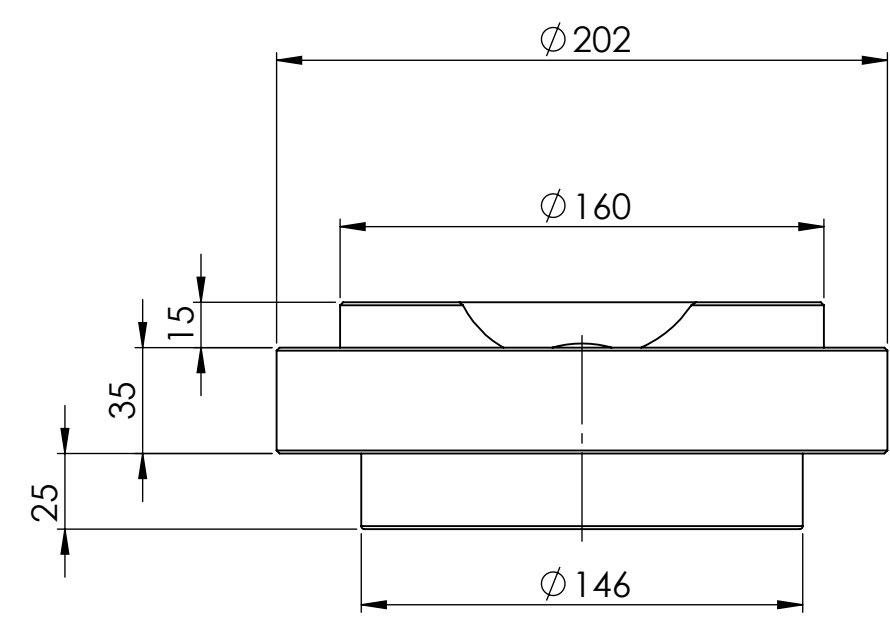
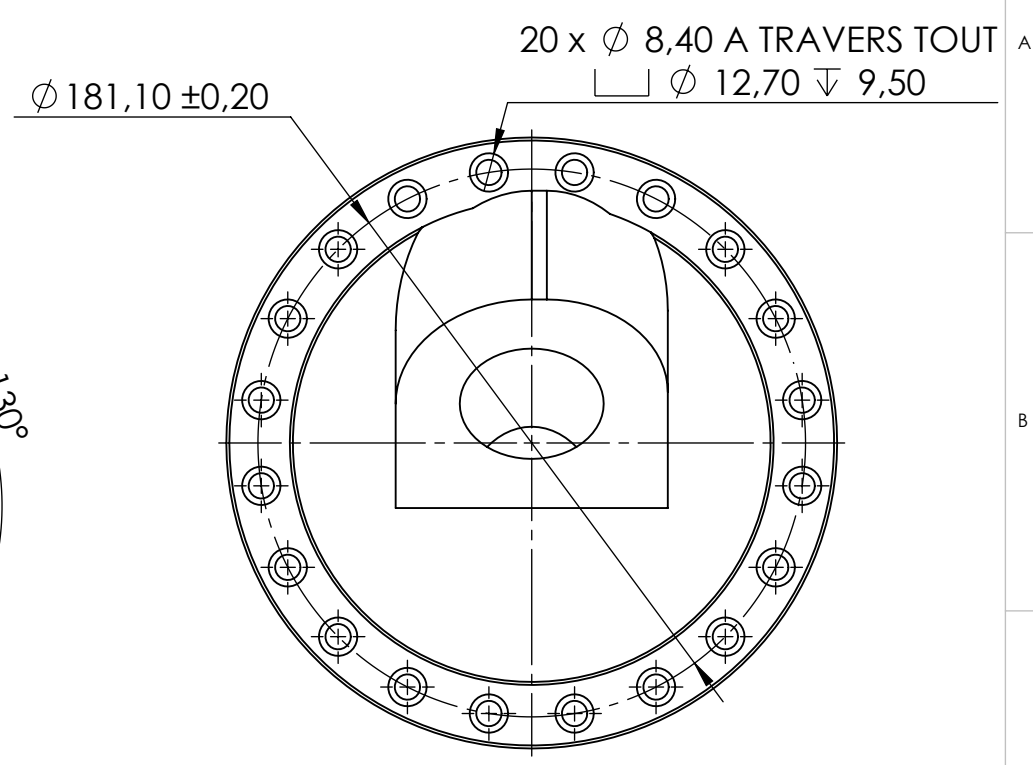


COUPE A-A



REVISIONS

ZONE	REV.	DESCRIPTION	DATE	APPROUVE
	C	added plating	04/05/2012	
	D	change of dimension	14/05/2012	
	E	added tolerances	06/11/2012	

<p>ZI du prat Rue des frères Mongolfier F-56000 Vannes</p> <p>Tel(33) 02.97.01.08.80 Fax (33)02.97.01.08.81 EMAIL Contact@sigmaphi.fr</p>	Name	M. Delbecq	Date	16/04/2013
	Drawing			
	Checked			
	Approved			
	MATERIAL:	E24		
	Trait.:	plating (nickelage)		
	Roughness :			
	Tol Gen	±-0.5		
	Supplier:			
	Weight:	11.48 Kg		
		0.00		
	File name:317111-JLA-705-002			
DWG NO.	317111-JLA-705-002			Rev:
				E
This drawing may not be used without special licence or authorisation express (Law of the 11 march 1957)				
	A3	SCALE:2:5	SHEET 1 OF 1	