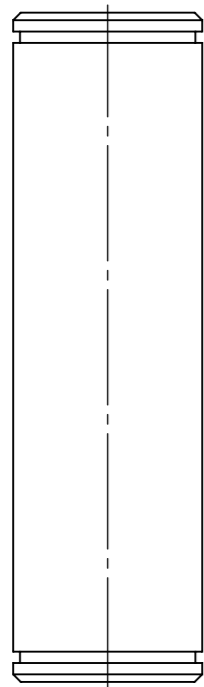
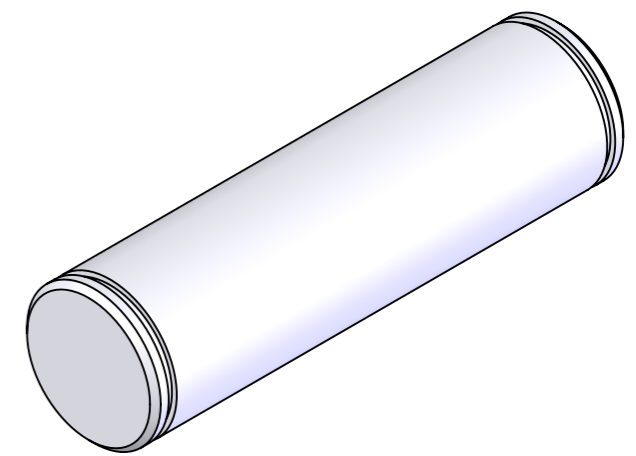
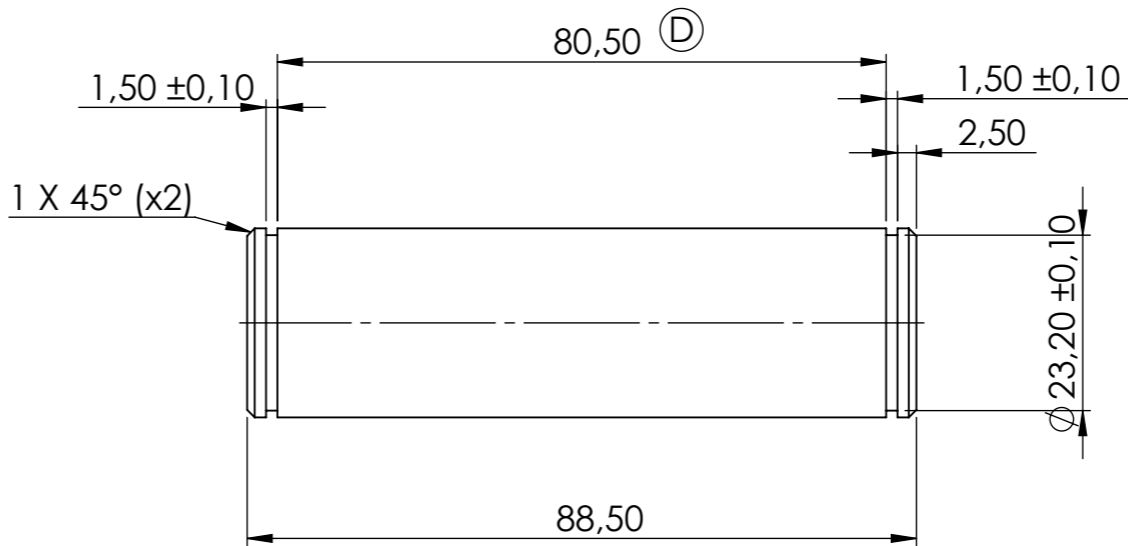
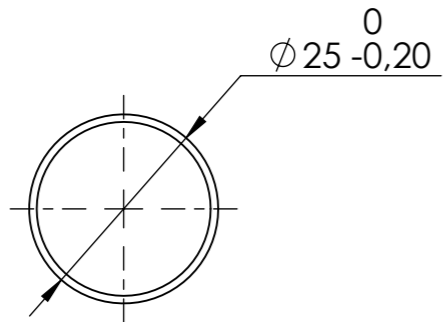


REVISIONS				
ZONE	REV.	DESCRIPTION	DATE	APPROUVE
	D	changed lenght	06/11/2012	



 ZI du prat Rue des frères Mongolfier F-56000 Vannes	Name	
	Date	16/04/2013
Tel(33) 02.97.01.08.80 Fax (33)02.97.01.08.81 EMAIL Contact@sigmaphi.fr	Drawing	M. Delbecq
	Checked	
317111-JLA-706	Approved	
	MATERIAL:	Ti-6Al-4V
PIN	Trait.:	
	Roughness :	
DWG NO. 317111-JLA-706-004	Tol Gen	±0.5
	Supplier:	
This drawing may not be used without special licence or authorisation express (Law of the 11 march 1957)	Weight:	0.19 Kg
		0.00
	File name:	317111-JLA-706-004
	Rev:	D
	 A3 SCALE:1:1 SHEET 1 OF 1	