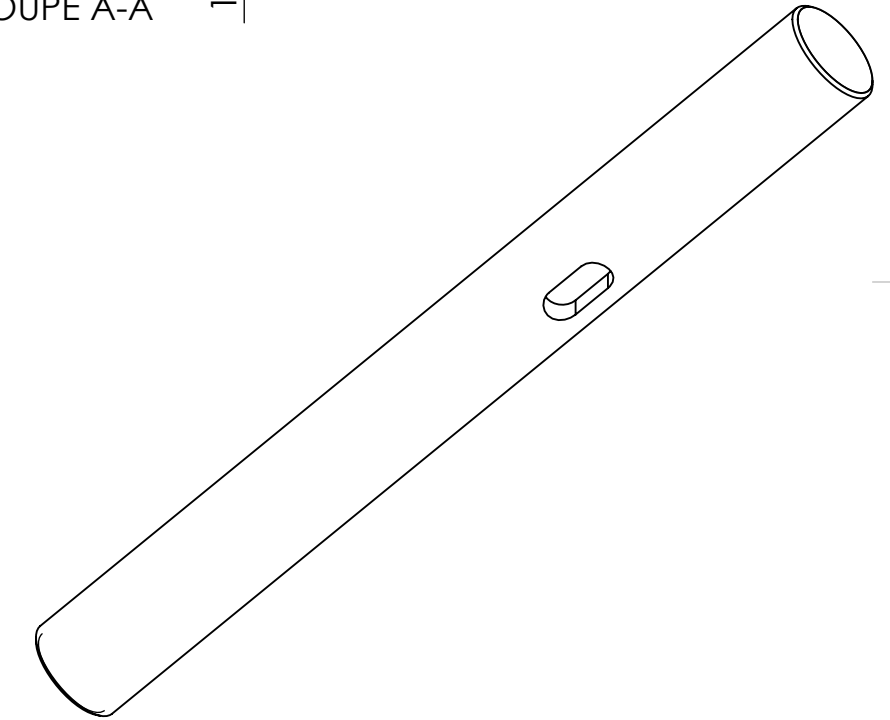
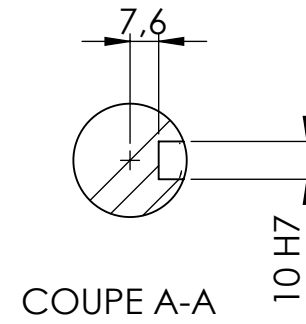
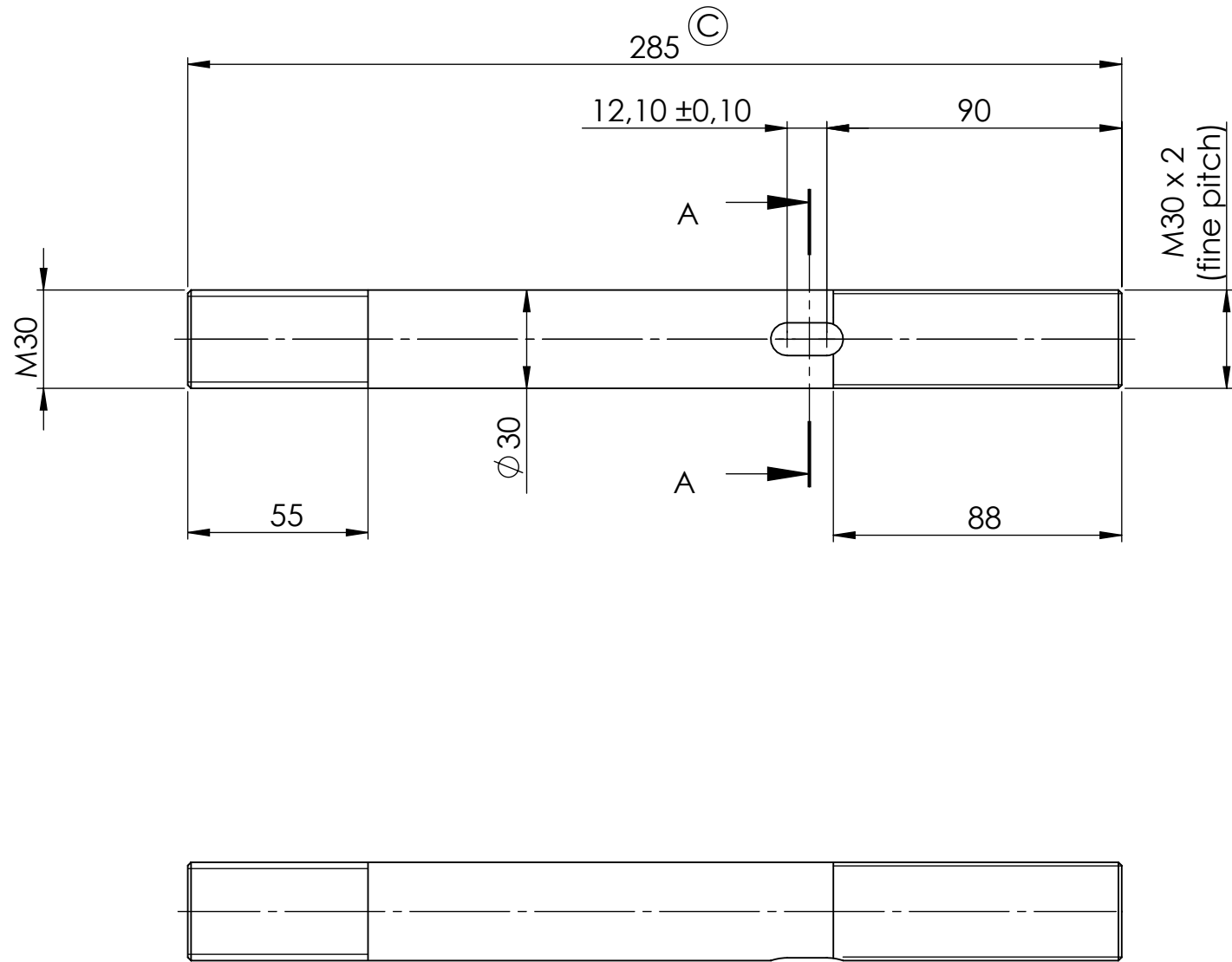

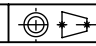


REVISIONS				
ZONE	REV.	DESCRIPTION	DATE	APPROUVE
	C	changed position of groove changed dimensions (threading in metric dim.)	24/10/2012	



 ZI du prat Rue des frères Mongolfier F-56000 Vannes Tel(33) 02.97.01.08.80 Fax (33)02.97.01.08.81 EMAIL Contact@sigmaphi.fr	Name	Date
	Drawing M. Delbecq	17/04/2013
	Checked	
	Approved	
	MATERIAL: Nitronic 50	
	Trait.:	
	Roughness :	
	Tol Gen ±0.5	
	Supplier:	
	Weight: 1.60 kg	
	File name:317111-JLA-706-005	
DWG NO. 317111-JLA-706-005	Rev: C	
This drawing may not be used without special licence or authorisation express (Law of the 11 march 1957)		
	 A3	SCALE:1:2 SHEET 1 OF 1