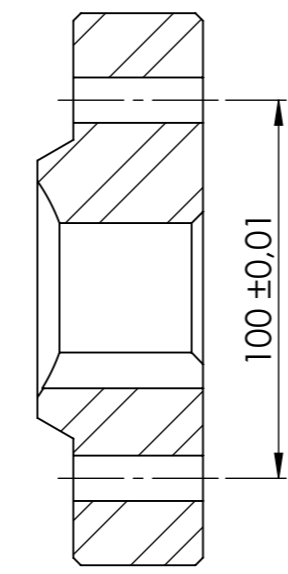
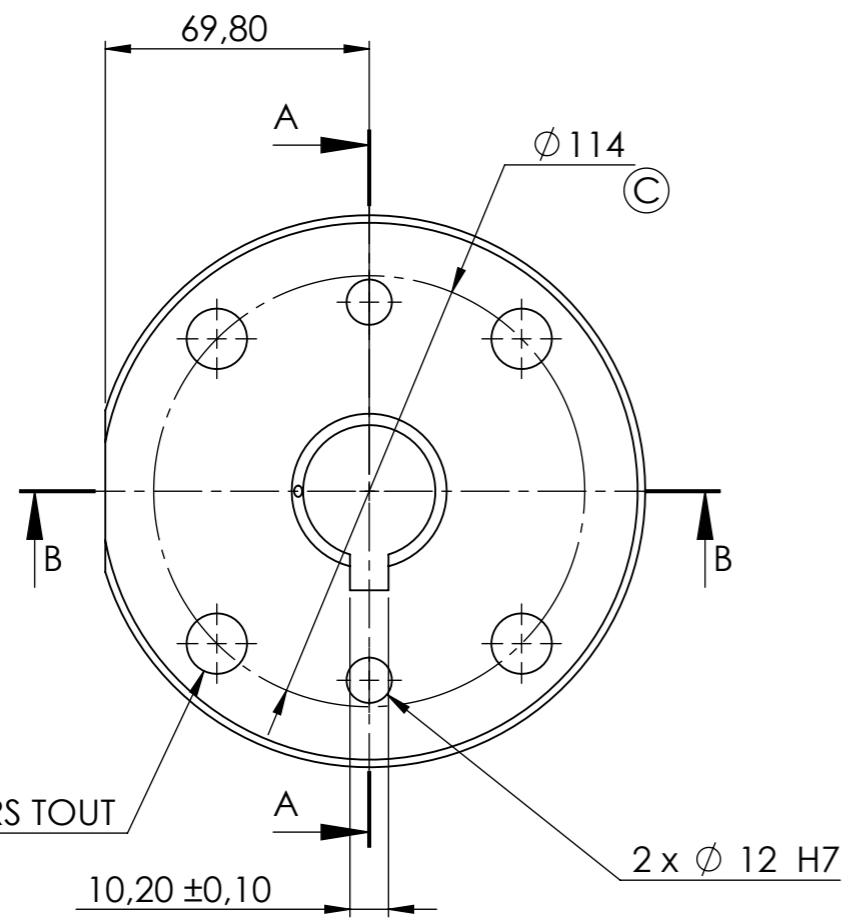
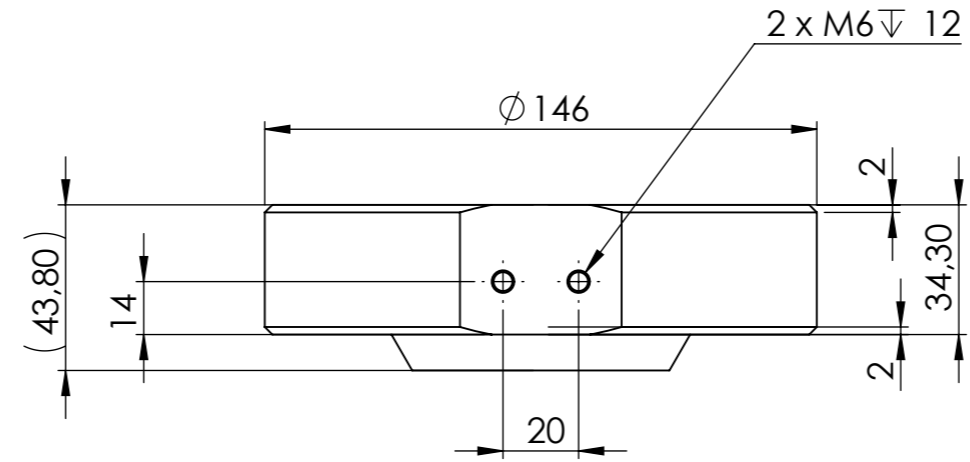
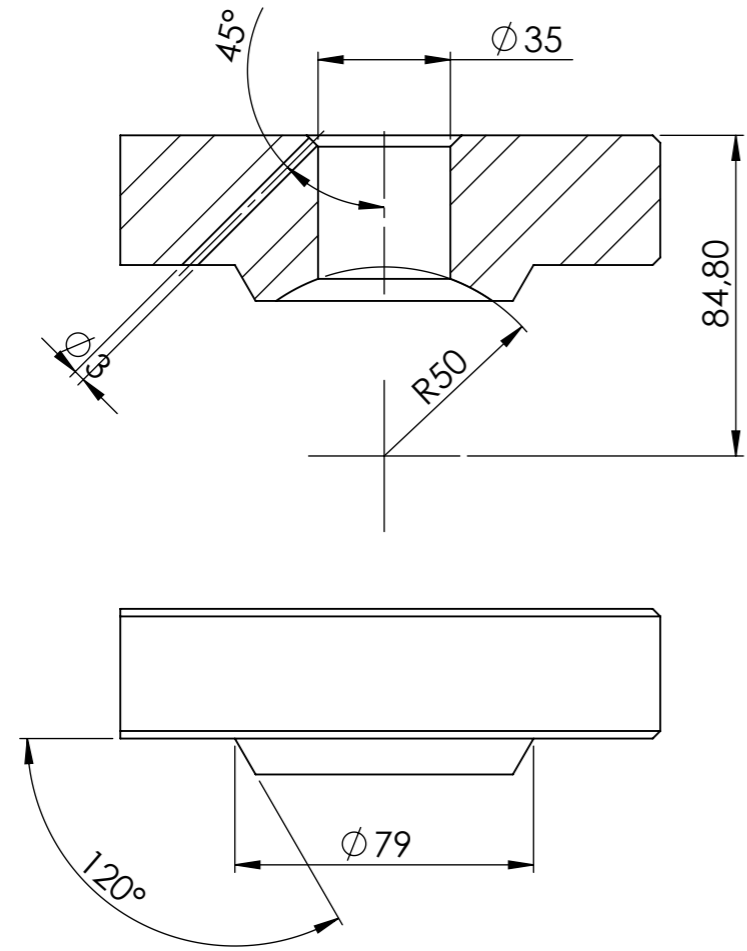
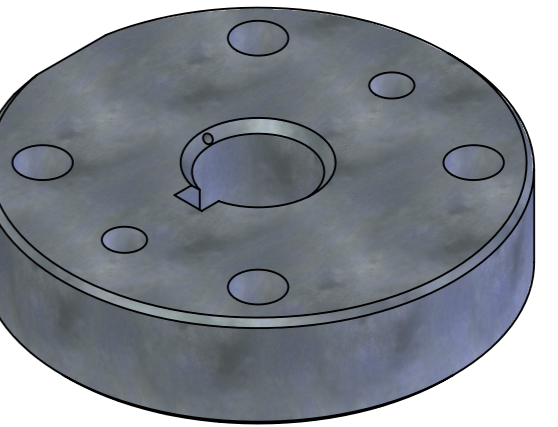


COUPE B-B




COUPE A-A



REVISIONS				
ZONE	REV.	DESCRIPTION	DATE	APPROUVE
	C	adapted dimensions to metric system	06/11/2012	

4 x M16 A TRAVERS TOUT

2 x Ø 12 H7

 <p>ZI du prat Rue des frères Mongolfier F-56000 Vannes</p> <p>Tel(33) 02.97.01.08.80 Fax (33)02.97.01.08.81 EMAIL Contact@sigmaphi.fr</p>	Name	M. Delbecq	Date	16/04/2013	
	Drawing				
	Checked				
	Approved				
MATERIAL:	Inox/Stainless steel 304L				
Trait.:					
Roughness :					
Tol Gen	±0.5				
Supplier:					
Weight:	3.81 Kg				
	0.00				
File name:317111-JLA-706-006					
DWG NO.	317111-JLA-706-006			Rev:	C
This drawing may not be used without special licence or authorisation express (Law of the 11 march 1957)					
			SCALE:1:2	SHEET 1 OF 1	