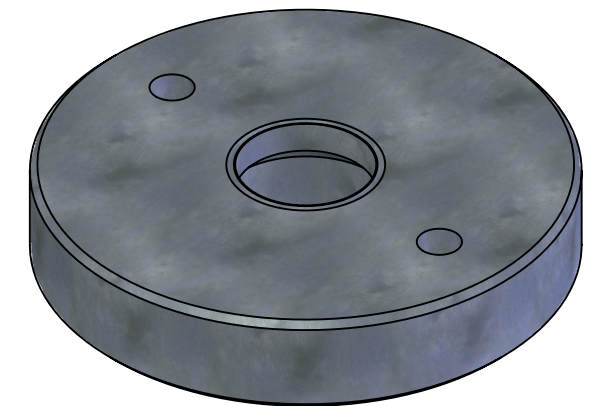
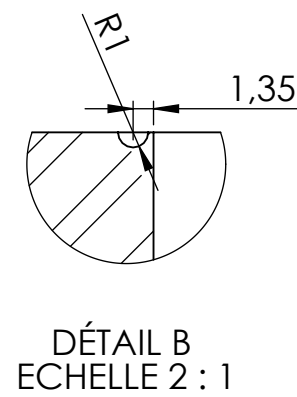
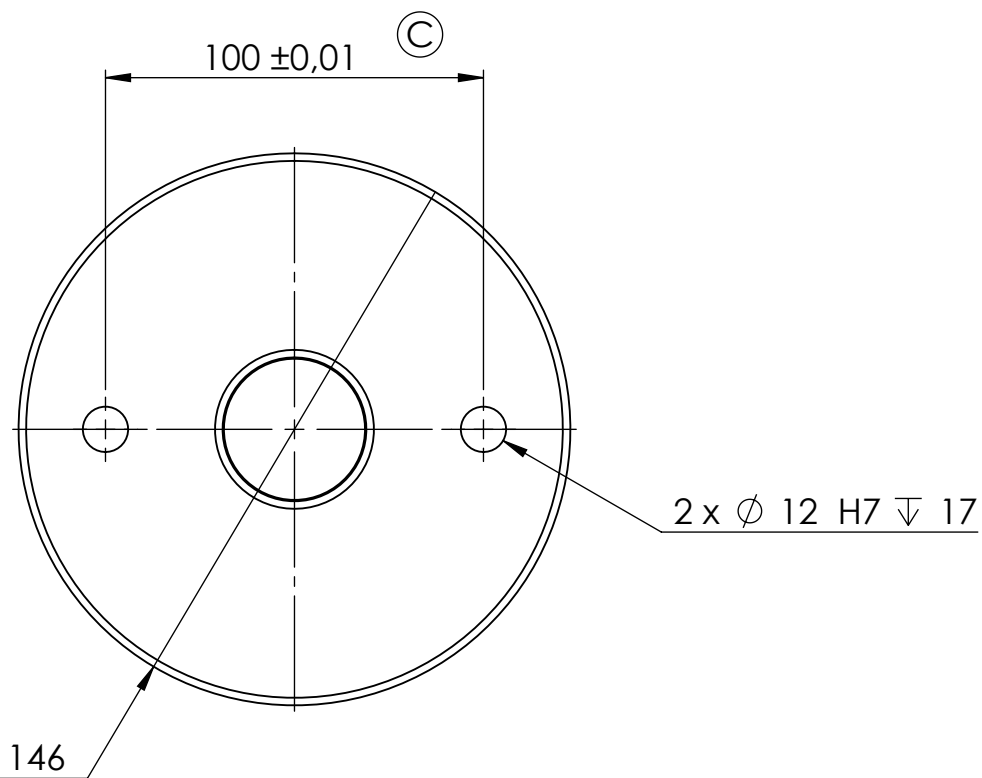
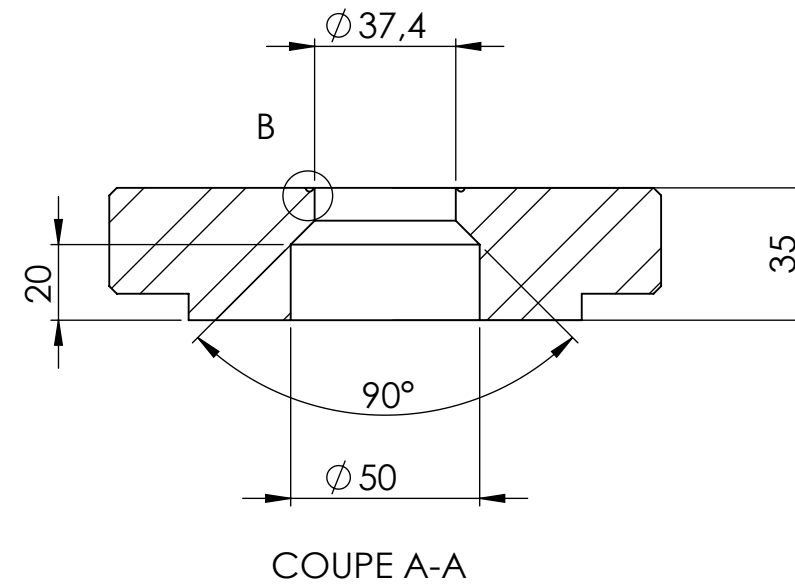
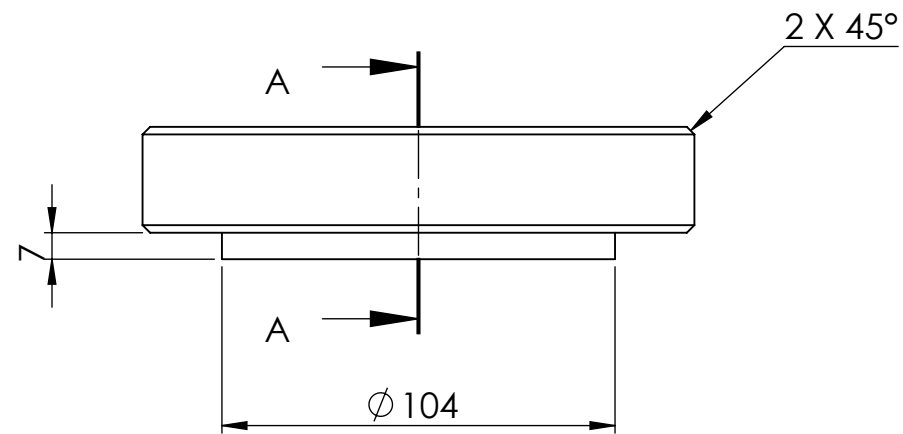




REVISIONS				
ZONE	REV.	DESCRIPTION	DATE	APPROUVE
	C	adapted dimensions to metric system	06/11/2012	



 ZI du prat Rue des frères Mongolfier F-56000 Vannes Tel(33) 02.97.01.08.80 Fax (33)02.97.01.08.81 EMAIL Contact@sigmaphi.fr	Name	
	Date	16/04/2013
Drawing	M. Delbecq	
Checked		
Approved		
MATERIAL:	Inox/Stainless steel 304L	
Trait.:		
Roughness :		
Tol Gen	±0.5	
Supplier:		
Weight:	3.39 Kg	
	0.00	
	File name:317111-JLA-706-009	
DWG NO.	317111-JLA-706-009	Rev: C
This drawing may not be used without special licence or authorisation express (Law of the 11 march 1957)		
 A3		SCALE:1:2 SHEET 1 OF 1