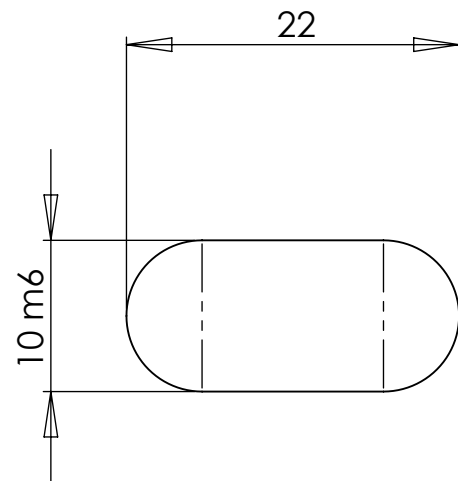
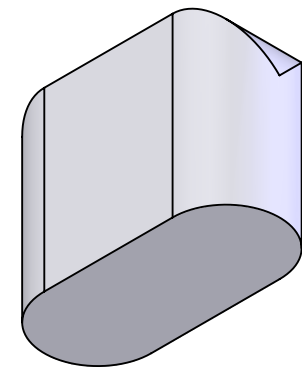
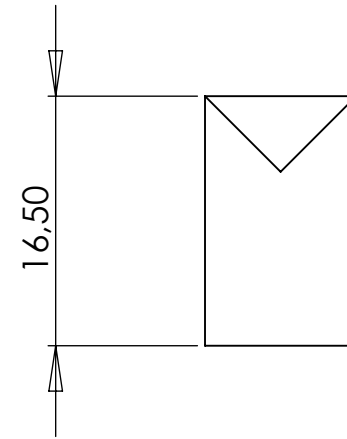
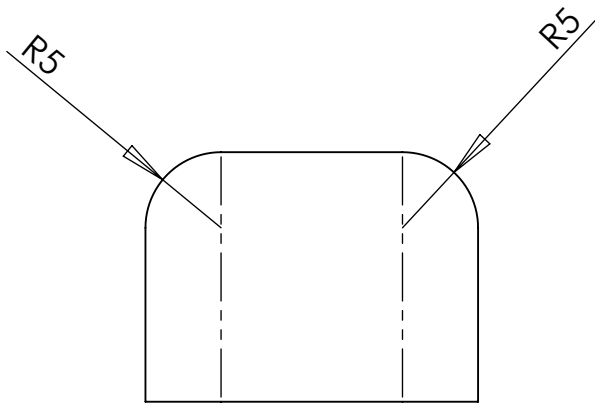


REVISIONS				
ZONE	REV.	DESCRIPTION	DATE	APPROUVE
	C	adapted dimensions to metric system	06/11/2012	



 <p>ZI du prat Rue des frères Mongolfier F-56000 Vannes</p> <p>Tel(33) 02.97.01.08.80 Fax (33)02.97.01.08.81 EMAIL Contact@sigmaphi.fr</p>	Name	Date	
	Drawing	M. Delbecq	16/04/2013
	Checked		
<p>SUSPENSION</p>	Approved		
	MATERIAL:	Nitronic 50	
	Trait.:		
	Roughness :		
<p>Key</p>	Tol Gen	±0.1	
	Supplier:		
	Weight:	0.03 Kg	
DWG NO.	317111-JLA-706-013	Rev:	
		C	
<p>This drawing may not be used without special licence or authorisation express (Law of the 11 march 1957)</p>		 A3 SCALE:2:1 SHEET 1 OF 1	