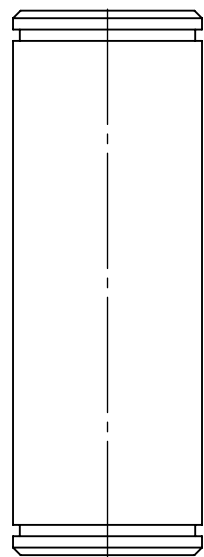
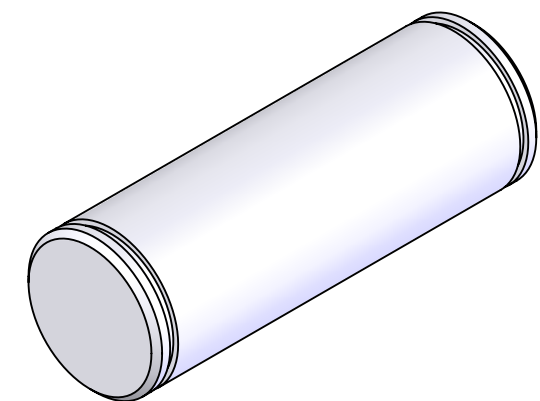
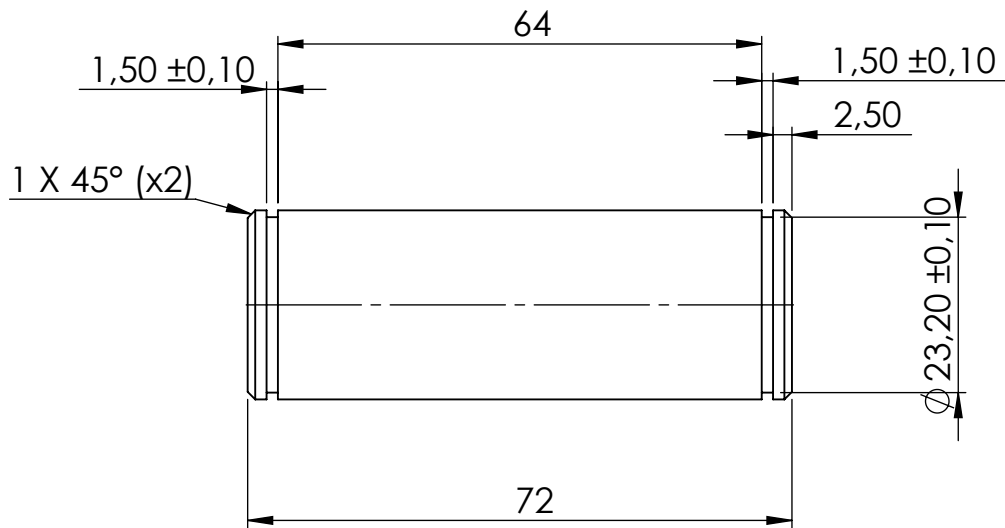
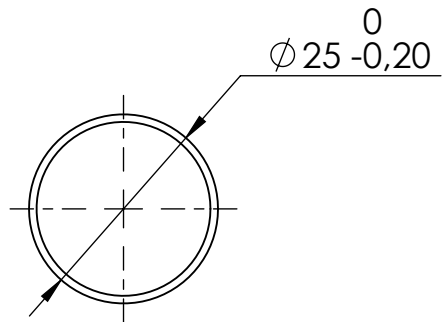


REVISIONS				
ZONE	REV.	DESCRIPTION	DATE	APPROUVE
	A	creation	06/11/2012	



 ZI du prat Rue des freres Mongolfier F-56000 Vannes Tel(33) 02.97.01.08.80 Fax (33)02.97.01.08.81 EMAIL Contact@sigmaphi.fr	Name	Date
	Drawing <b>M. Delbecq</b>	16/04/2013
<b>317111-JLA-706</b>  <b>PIN</b>	Checked	
	Approved	
	MATERIAL: <b>Ti-6Al-4V</b>	
	Trait.:	
	Roughness:	
<b>0.16 Kg</b> <b>0.00</b>	Tol Gen <b>±0.5</b>	
	Supplier:	
	Weight:	
DWG NO. <b>317111-JLA-706-016</b>	File name:317111-JLA-706-016	Rev: <b>A</b>
This drawing may not be used without special licence or authorisation express (Law of the 11 march 1957)		 <b>A3</b> SCALE:1:1 SHEET 1 OF 1