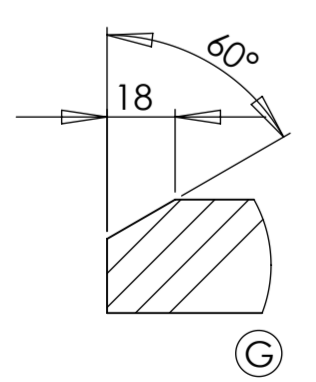
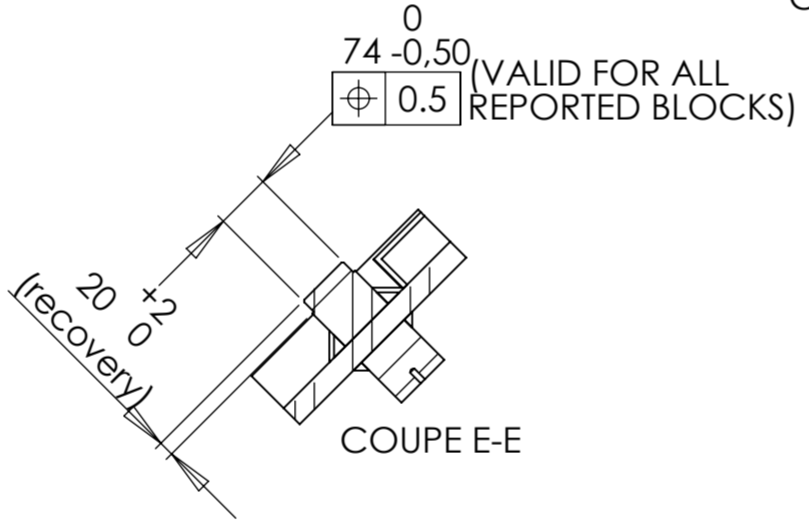
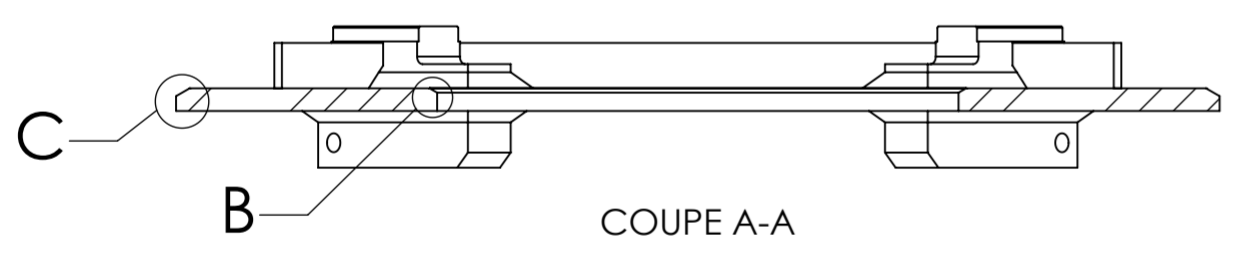
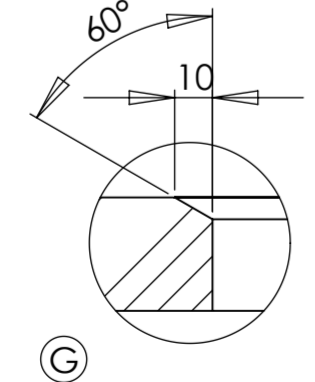


FOR INFORMATION

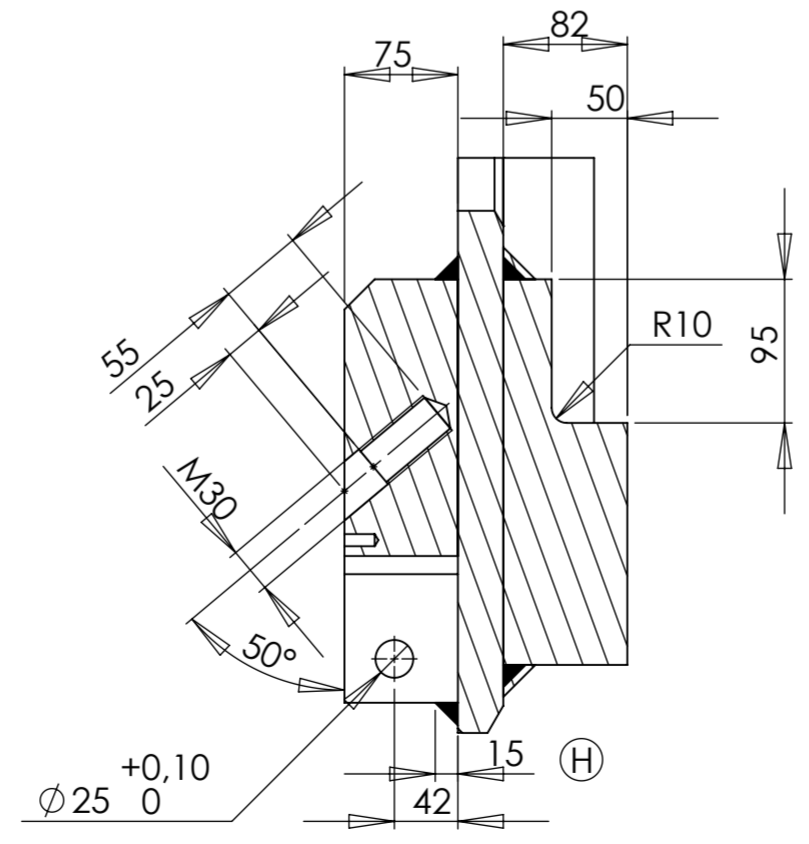
Porniel



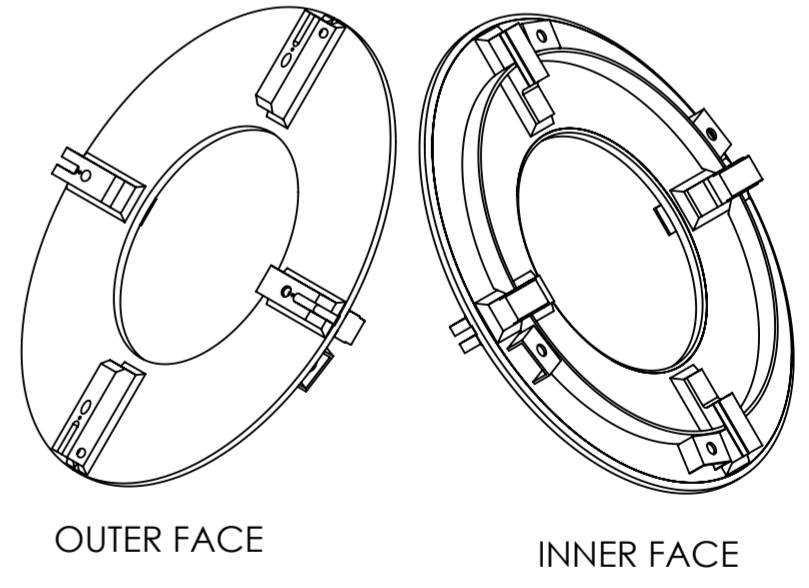
DÉTAIL C
ECHELLE 1 : 2



DÉTAIL B
ECHELLE 1 : 2



COUPE F-F
ECHELLE 1 : 5
(rotated)



REVISIONS				
ZONE	REV.	DESCRIPTION	DATE	APPROUVE
	A1	CHANGES FOR INTERMEDIARY DESIGN REVIEW	20/10/2011	
	B1	ADDED BRACKET FOR COIL FASTENING	19/12/2011	
	C	INTERNAL AND EXTERNAL SUPPORTS IN ONE PART THROUGH THE FLANGE + CHANGE WELDING CHAMFERS	03/05/2012	
	D	CHANGE OF WELDING DEFINITION + 155=>190 + ADDED R8 + SUPPRESSED CHAMFERS + CHANGED Ø OF PIPE HOLES + CHANGED ANGLE OF M30	04/06/2012	
	E	ADDED Ø8 for magnet measurement	17/09/2012	
	F	CHANGE PLOT TO 2 DIFFERENTS PARTS	22/10/2012	
	G	CHANGED WELDING DEFINITION	15/03/2013	
	H	changed welding dimension + changed welding profile	18/07/2013	
	I	changed tolerance	08/01/2014	

SIGMAPHI
21 du port
 Rue des frères Mongollier
 F-56000 Vannes

He VESSEL
FLANGE SIDE END

DWG NO. **317111-JLA-703-004**

Name	M Delbecq	Date	24/02/2014
Drawing		Checked	
Approved		MATERIAL:	304L (X2CrNi18-9)
Trait.		Roughness:	
Supplier:		Toi Gen	±1
Weight:	373.56 Kg	Supplier:	
	0.00	File name:	317111-JLA-703-004

Rev: **I**

This drawing may not be used without special licence or authorisation express (Law of the 11 march 1957)