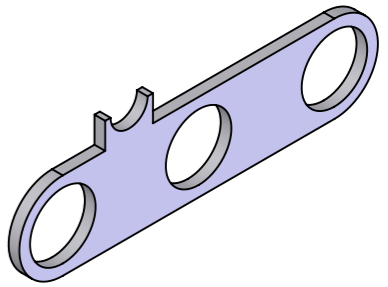
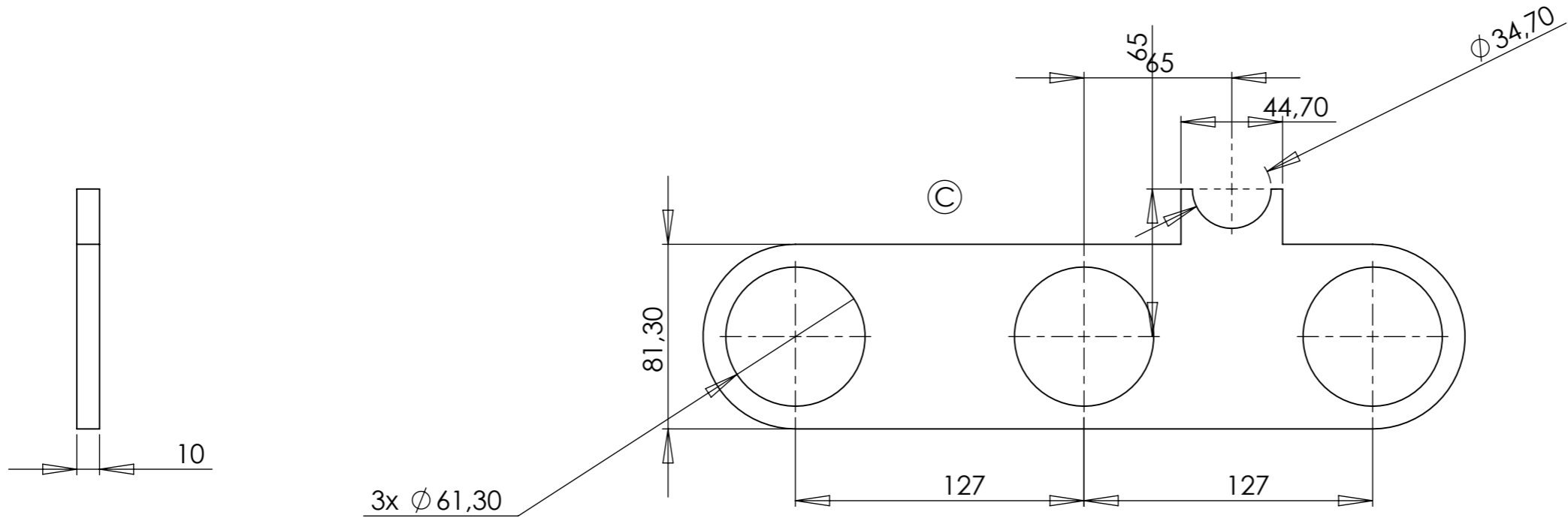

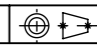


REVISIONS				
ZONE	REV.	DESCRIPTION	DATE	APPROUVE
	C	suppressed shapes for N2 pipings	29/08/2013	MD



FOR INFORMATION

*Porniel*

 ZI du prat Rue des frères Mongolfier F-56000 Vannes Tel(33) 02.97.01.08.80 Fax (33)02.97.01.08.81 EMAIL Contact@sigmaphi.fr	Name	Date
	Drawing <b>M. Delbecq</b>	<b>10/10/2013</b>
	Checked	
	Approved	
	MATERIAL: <b>304L (X2CrNi18-9)</b>	
	Trait.:	
	Roughness :	
	Tol Gen <b>±0.5</b>	
	Supplier:	
	Weight: <b>1.39 Kg</b>	
	<b>0.00</b>	
	File name:317111-JLA-703-020	
DWG NO. <b>317111-JLA-703-020</b>	Rev: <b>C</b>	
This drawing may not be used without special licence or authorisation express (Law of the 11 march 1957)		
	 <b>A3</b> SCALE:2:5 SHEET 1 OF 1	