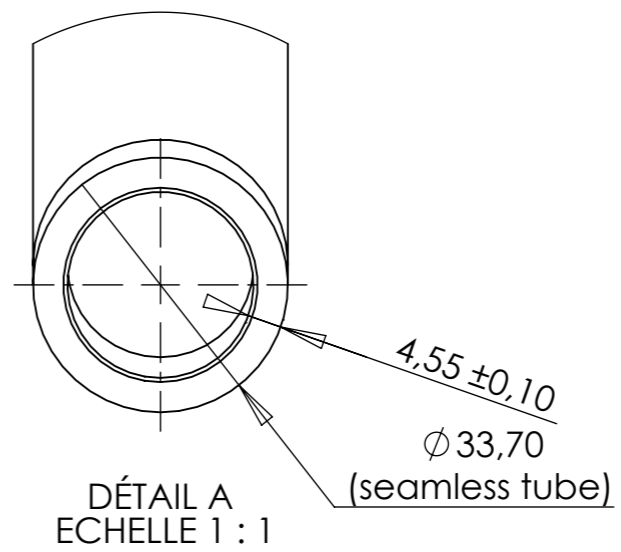
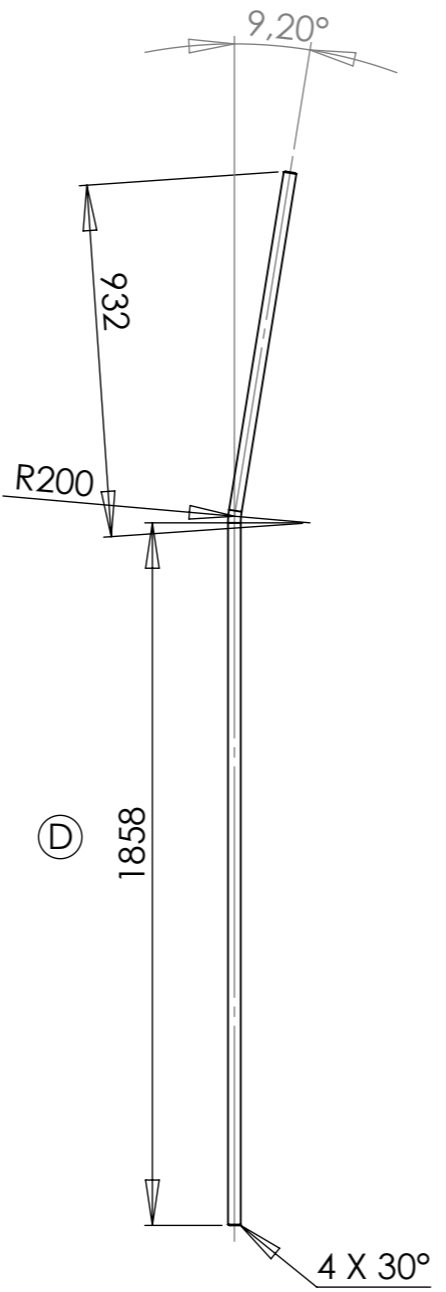
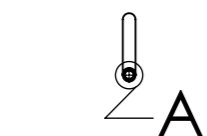


REVISIONS				
ZONE	REV.	DESCRIPTION	DATE	APPROUVE
	D	changed lenght	17/04/2013	



FOR INFORMATION

Porhiet

<p>ZI du prat Rue des freres Mongolfier F-56000 Vannes</p> <p>Tel(33) 02.97.01.08.80 Fax (33)02.97.01.08.81 EMAIL Contact@sigmaphi.fr</p>	Name	
	Date	10/10/2013
Drawing	M. Delbecq	
Checked		
Approved		
MATERIAL:	304L (X2CrNi18-9)	
Trait.:		
Roughness :		
Tol Gen	±1	
Supplier:		
Weight:	9.20 Kg	
	0.00	
File name:317111-JLA-703-024		

DWG NO.	317111-JLA-703-024	Rev:	D
---------	---------------------------	------	----------