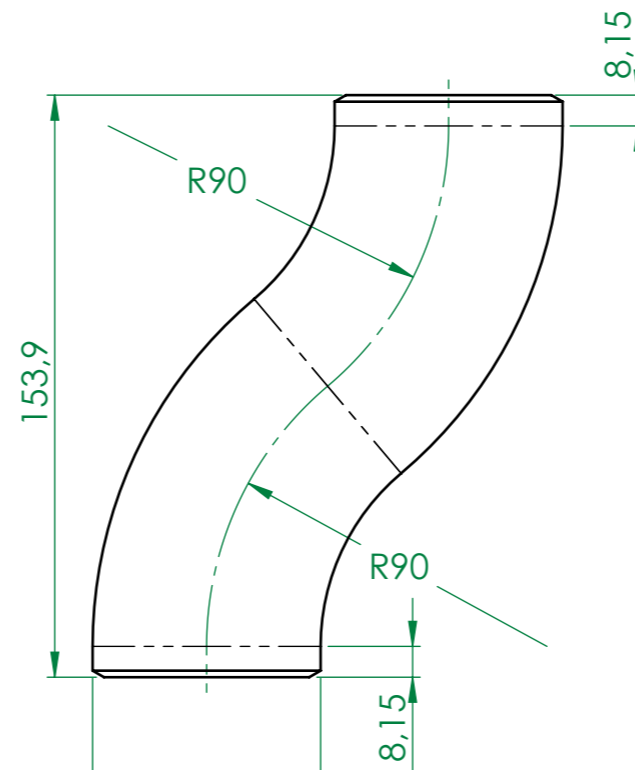
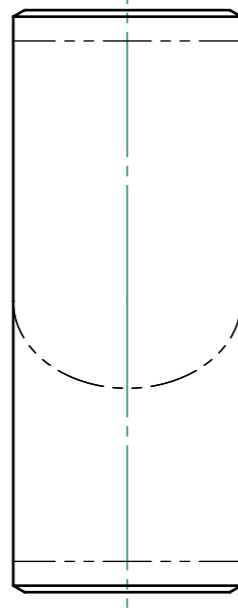
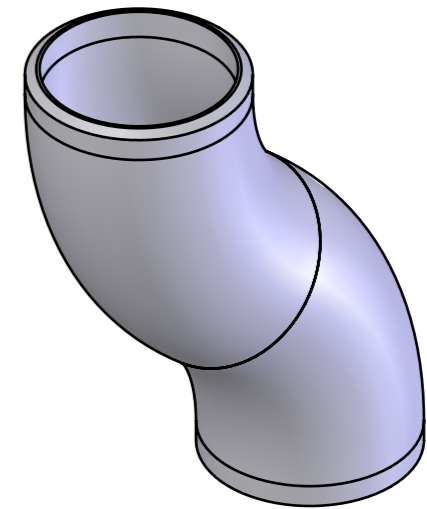
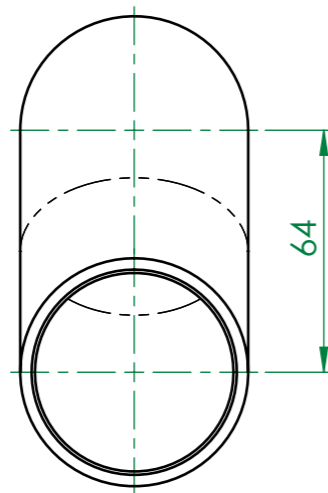


REVISIONS				
ZONE	REV.	DESCRIPTION	DATE	AUTHOR
	A	CREATION	23/07/2013	M. DELBECQ





Ø 60,30  
schedule 40S ANSI



FOR INFORMATION

*Pomiel*

 ZI du prat Rue des frères Mongolfier F-56000 Vannes Tel(33) 02.97.01.08.80 Fax (33)02.97.01.08.81 EMAIL Contact@sigmaphi.fr	Name	Date
	Drawing <b>M. DELBECQ</b>	10/10/2013
<b>He piping</b>  <b>COUDE PICKING</b>	Checked	
	Approved	
MATERIAL: <b>304L (X2CrNi18-9)</b> Trait.: Roughness : Tol Gen Supplier:	Weight: <b>0.94 Kg</b>	
	File name:317111-JLA-703-040	
DWG NO. <b>317111-JLA-703-040</b>	Rev: <b>A</b>	
This drawing may not be used without special licence or authorisation express (Law of the 11 march 1957)		
	A3	SCALE:1:2 SHEET 1 OF 1