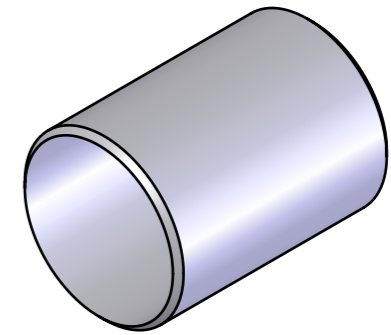
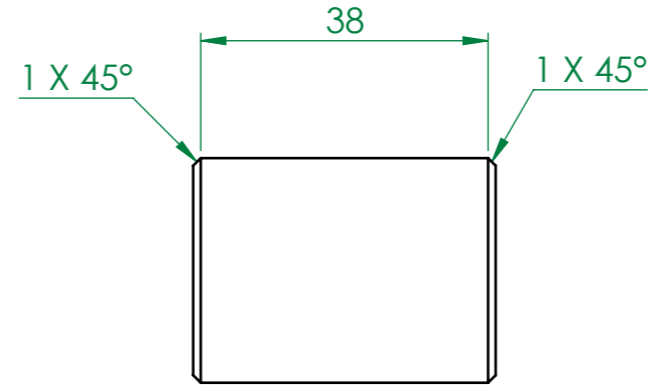
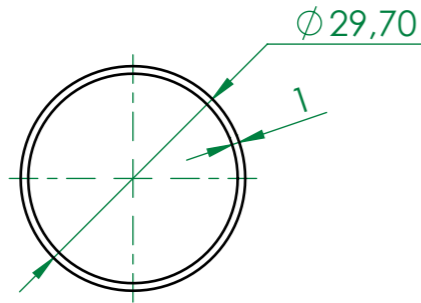




REVISIONS				
ZONE	REV.	DESCRIPTION	DATE	AUTHOR
	A	CREATION	17/04/2013	M. DELBECQ



FOR INFORMATION

Porniel

 <p>ZI du prat Rue des freres Mongolfier F-56000 Vannes</p> <p>Tel(33) 02.97.01.08.80 Fax (33)02.97.01.08.81 EMAIL Contact@sigmaphi.fr</p>	Name	Date	
	Drawing	M. DELBECQ	10/10/2013
	Checked		
	Approved		
	MATERIAL:	304L (X2CrNi18-9)	
	Trait.:		
	Roughness :		
	Tol Gen	±1	
	Supplier:		
	Weight:	0.03 Kg	
	File name:	317111-JLA-703-044	
DWG NO.	317111-JLA-703-044		
	Rev:	A	
<p>This drawing may not be used without special licence or authorisation express (Law of the 11 march 1957)</p>			
		<p>A3 SCALE:1:1 SHEET 1 OF 1</p>	