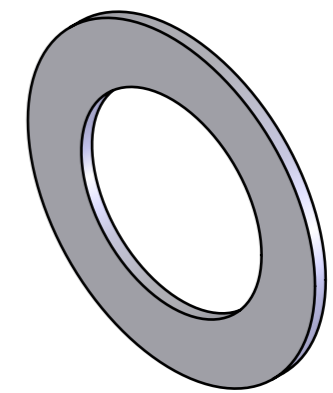
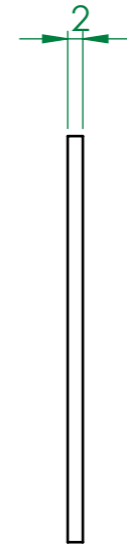
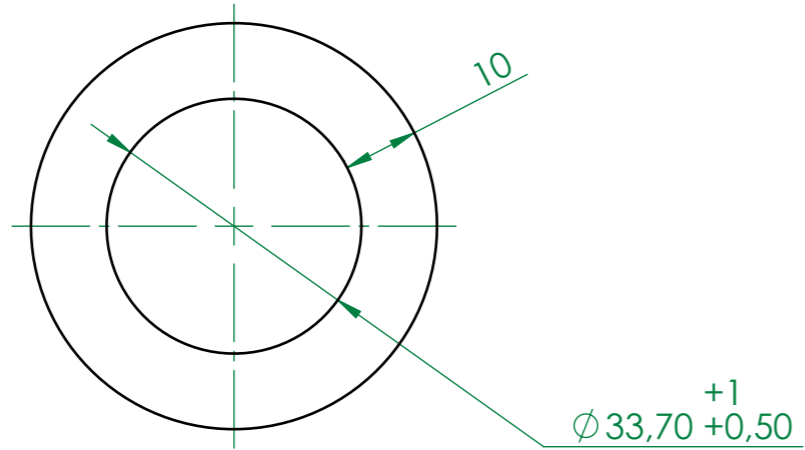




REVISIONS				
ZONE	REV.	DESCRIPTION	DATE	AUTHOR
	A	CREATION	17/04/2013	M. DELBECQ



FOR INFORMATION

Porhiet

 ZI du prat Rue des frères Mongolfier F-56000 Vannes Tel(33) 02.97.01.08.80 Fax (33)02.97.01.08.81 EMAIL Contact@sigmaphi.fr	Name	Date
	Drawing M. DELBECQ	10/10/2013
	Checked	
	Approved	
	MATERIAL: 304L (X2CrNi18-9)	
	Trait.:	
	Roughness :	
	Tol Gen ±1	
	Supplier:	
	Weight: 0.02 Kg	
	File name:317111-JLA-703-045	
DWG NO. 317111-JLA-703-045	Rev: A	
This drawing may not be used without special licence or authorisation express (Law of the 11 march 1957)		 A3 SCALE:1:1 SHEET 1 OF 1