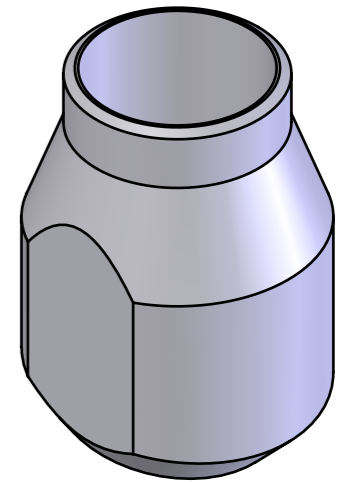
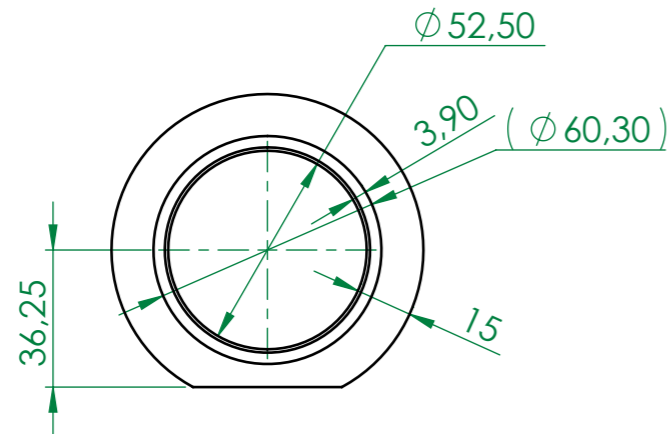
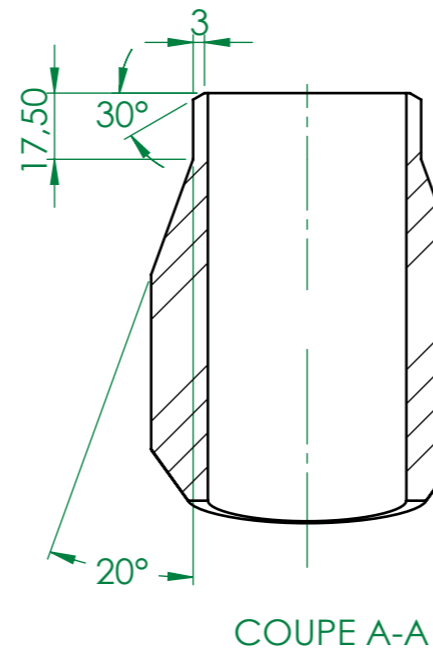
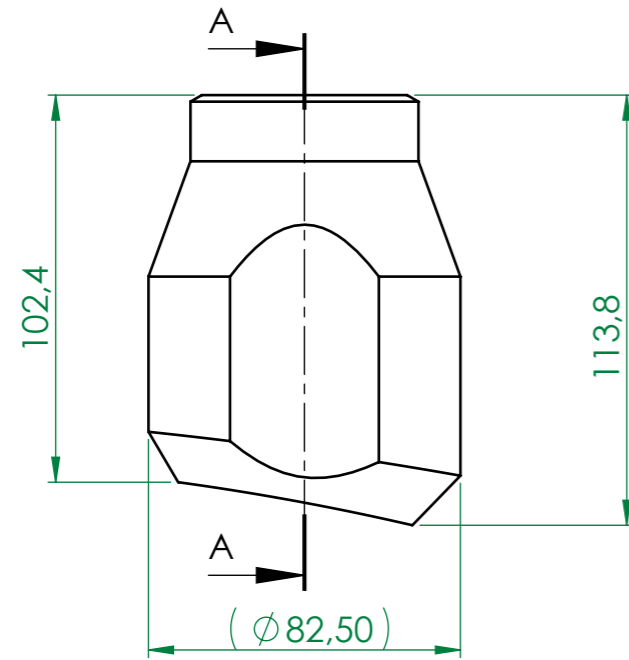




REVISIONS				
ZONE	REV.	DESCRIPTION	DATE	AUTHOR
	A	CREATION	03/09/2013	M. DELBECQ



FOR INFORMATION

*Parhiel*

 ZI du prat Rue des frères Mongolfier F-56000 Vannes Tel(33) 02.97.01.08.80 Fax (33)02.97.01.08.81 EMAIL Contact@sigmaphi.fr	Name	Date
	Drawing <b>M. DELBECQ</b>	10/10/2013
	Checked	
	Approved	
	MATERIAL: <b>304L (X2CrNi18-9)</b>	
	Trait.:	
	Roughness :	
	Tol Gen <b>±0.5</b>	
	Supplier:	
	Weight: <b>1.87 Kg</b>	
	File name:317111-JLA-703-049	
DWG NO. <b>317111-JLA-703-041</b>	Rev:	<b>A</b>
This drawing may not be used without special licence or authorisation express (Law of the 11 march 1957)		
	 A3 SCALE:1:2 SHEET 1 OF 1	