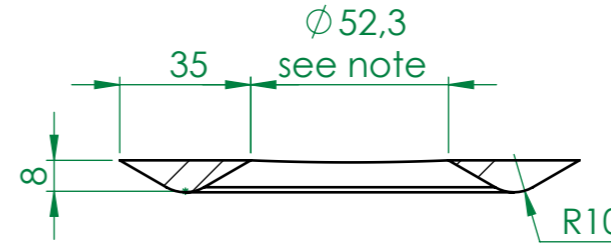
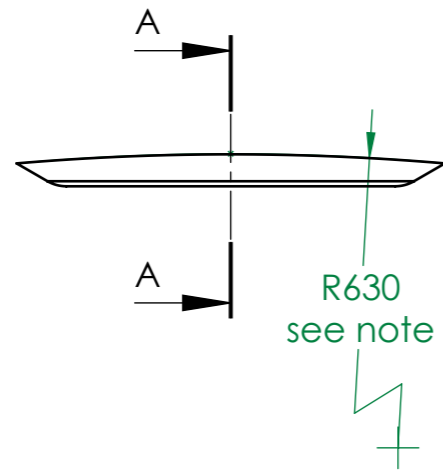
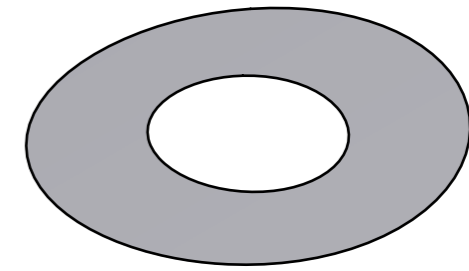
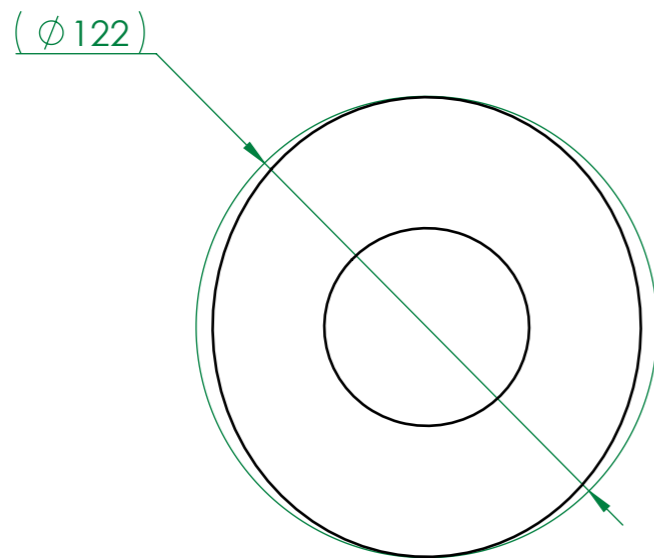


REVISIONS				
ZONE	REV.	DESCRIPTION	DATE	AUTHOR
	A	CREATION	16/12/2013	M. DELBECQ



COUPE A-A





NOTE:

To be adjusted with 703-048 part

FOR INFORMATION

*Porniel*

 ZI du prat Rue des frères Mongolfier F-56000 Vannes Tel(33) 02.97.01.08.80 Fax (33)02.97.01.08.81 EMAIL Contact@sigmaphi.fr	Name	Date
	Drawing <b>M. DELBECQ</b>	17/12/2013
	Checked	
	Approved	
	MATERIAL: <b>304L (X2CrNi18-9)</b>	
	Trait.:	
	Roughness :	
	Tol Gen <b>±1</b>	
	Supplier:	
	Weight: <b>0.31 Kg</b>	
	File name:317111-JLA-703-050	
DWG NO. <b>317111-JLA-703-050</b>	Rev: <b>A</b>	
This drawing may not be used without special licence or authorisation express (Law of the 11 march 1957)		
	 A3 SCALE:1:2 SHEET 1 OF 1	