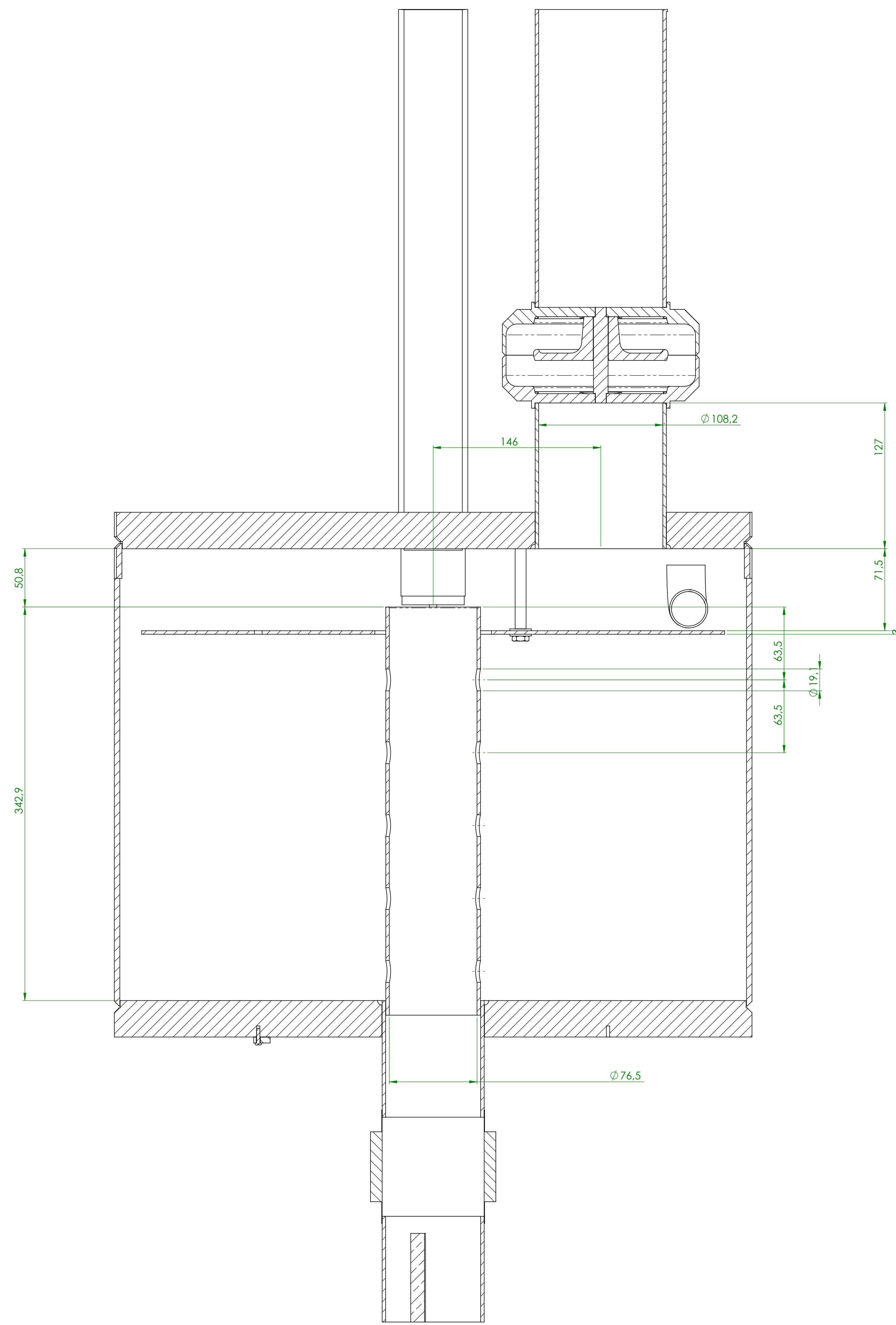
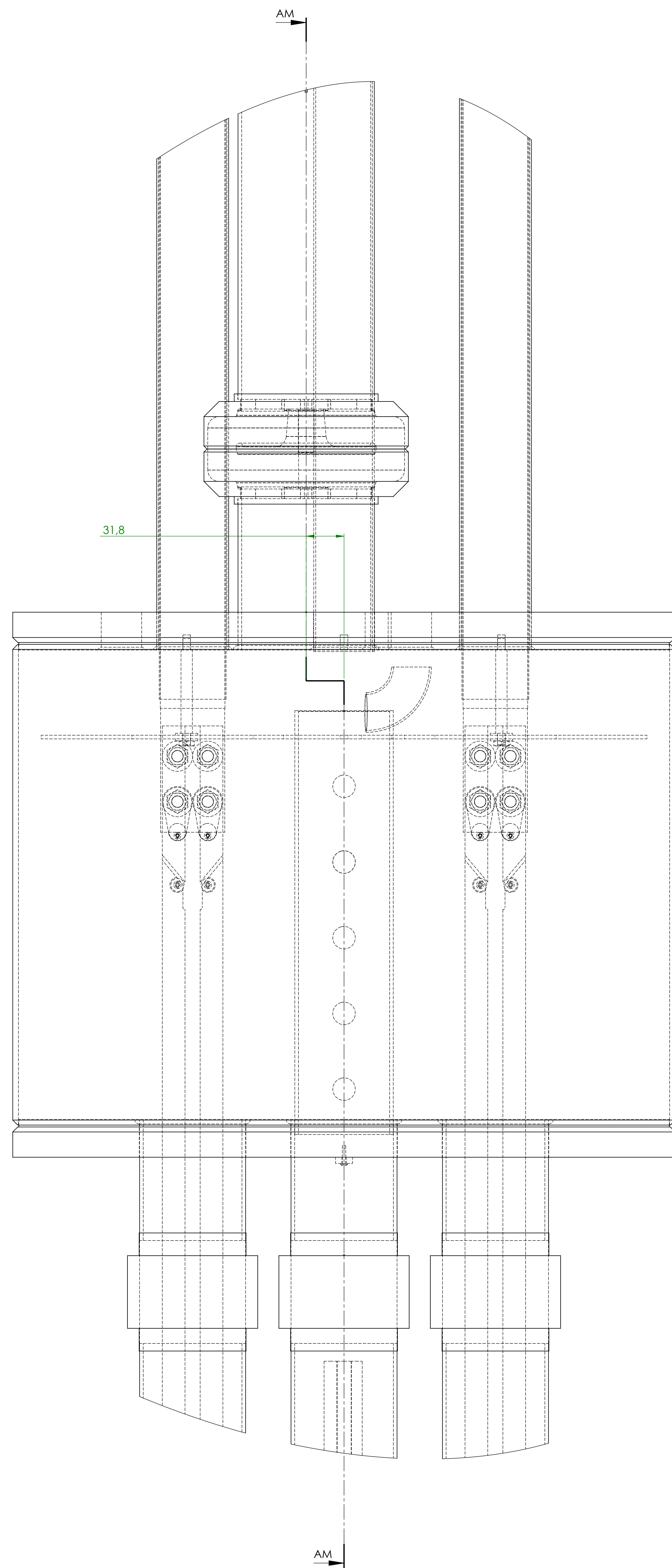


FOR INFORMATION

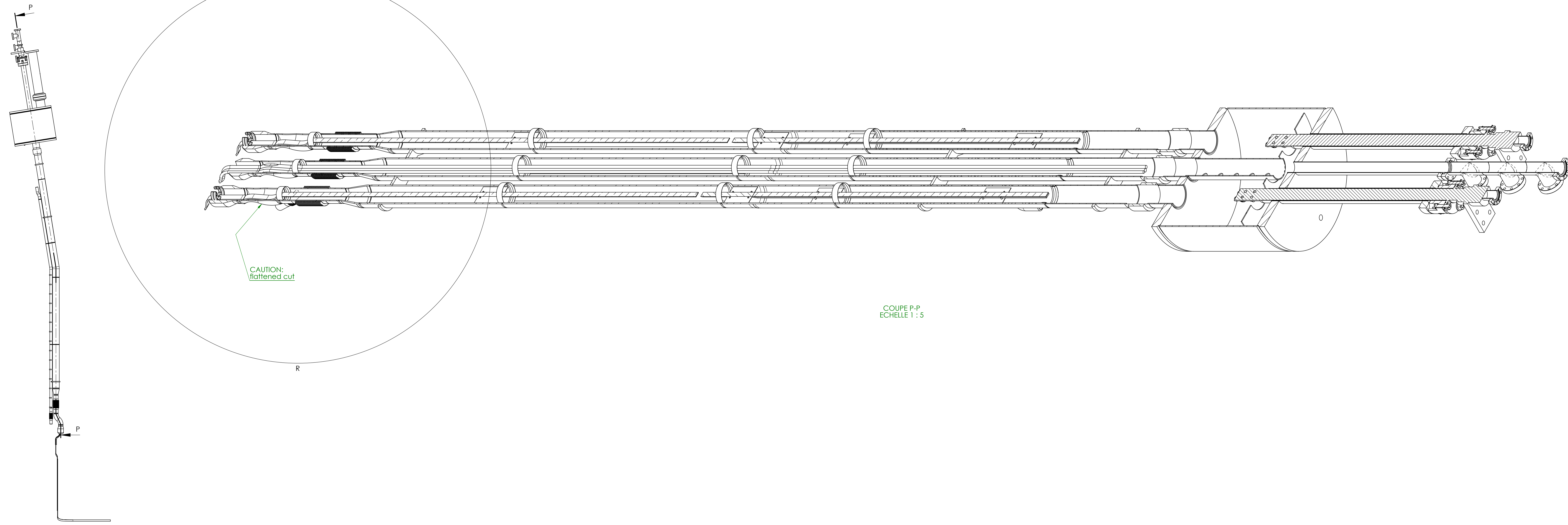
*Pornel*

DIPOL SHMS		Date: 23/09/2015	
Author: M. Delbecq	Checked:	Drawn:	Scale:
Approved:	Material:	Supplier:	Weight:
File name: 317111-JLA-FDD-001	File name: 317111-JLA-FDD-001		
DWG NO. CROSS SECTION FOR CHARLES MONROE			
The drawing may not be used without explicit approval of authorisation experts			



COUPE AM-AM  
ECHELLE 1 : 2

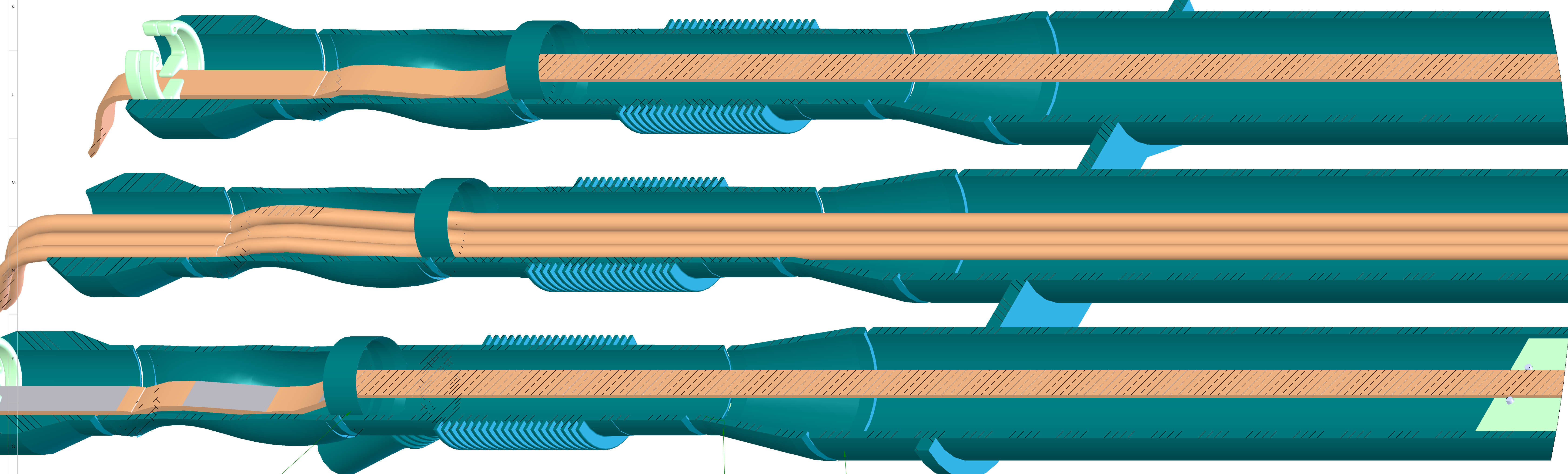
		71, rue de la Vallée de la Morge F-56000 Vannes		Dessiné <b>M. Delbecq</b>	Date <b>23/09/2015</b>
16000 02 17 01 08 01 Pour 03002 17 01 08 01 BNAE Contrôles/Signaux P		Vérifié 	Approuvé 	Matériau 	
<b>DIPOLE SHMS</b>		Rugosité 	Tolérance 	Poids <b>304.62 Kg</b>	
<b>Cold mass</b>		Matière 	File name 317111-JLA-FDD-001		
DWG No: <b>317111-JLA-700-001</b>					<b>H</b>
This drawing may not be used without explicit approval of authorisation express <small>Plan of the 17 March 1957</small>				Scale 1:1	Sheet 1/1



COUPE P-P  
ECHELLE 1 : 5

CAUTION:  
flattened cut

CAUTION:  
flattened cut



Ø 48.5  
inner

Ø 52.2  
inner

Ø 77.9  
inner

DÉTAIL R  
ECHELLE 1 : 1

 SHMS Superconducting High-Magnetic-Field Facility	Drawn Checked Approved	Name <b>M. Delbecq</b>	Date <b>23/09/2015</b>
	Project <b>DIPOLE SHMS</b>		
Material Supplier Weight		Material Supplier <b>304.42 Kg</b>	
DWG No: <b>317111-JLA-700-001</b>			Rev: <b>H</b>
<small>This drawing may not be used without explicit approval of authorisation expires 31st March 1997</small>			