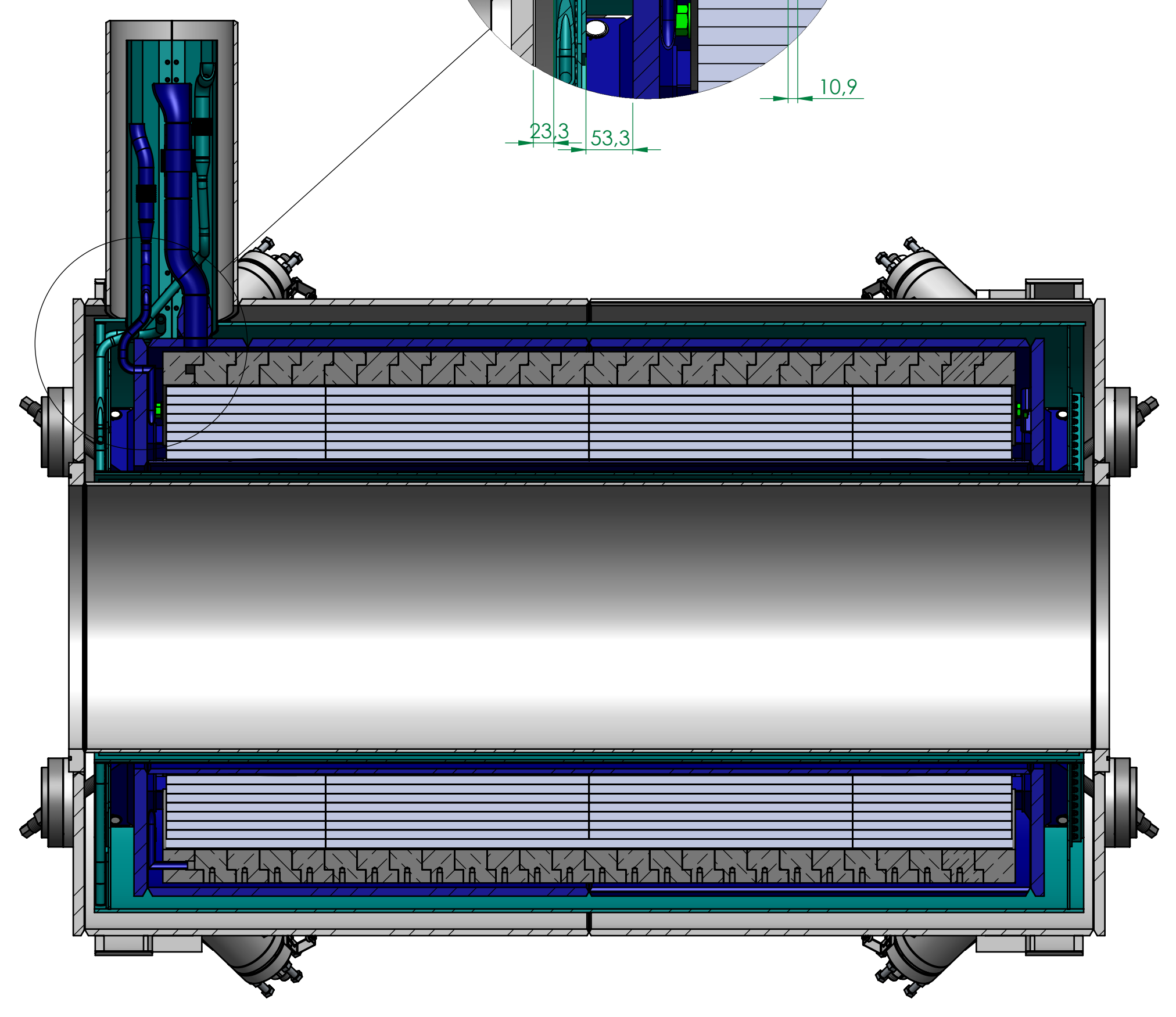
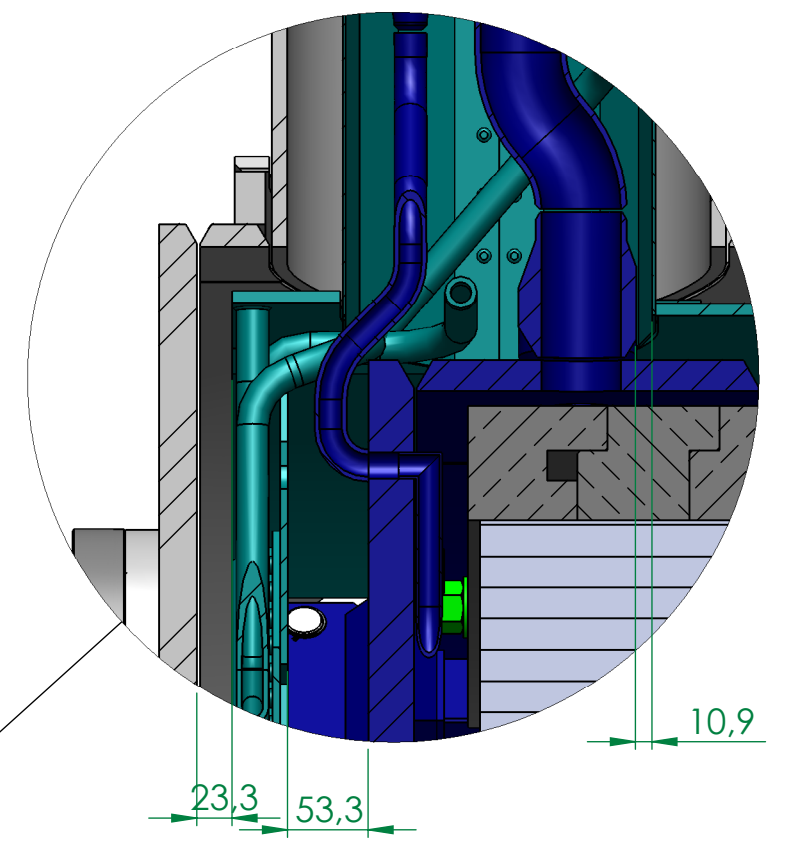
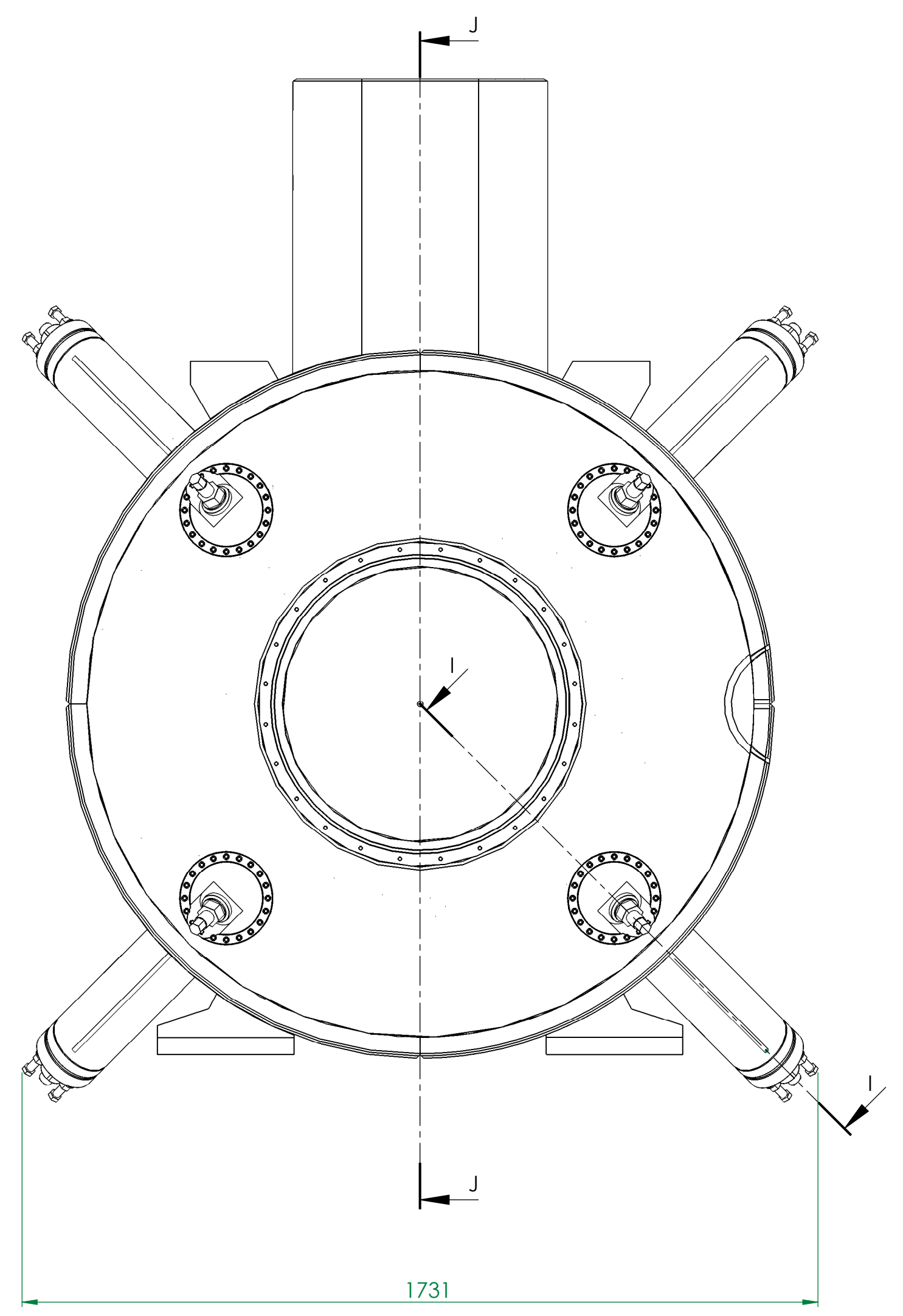


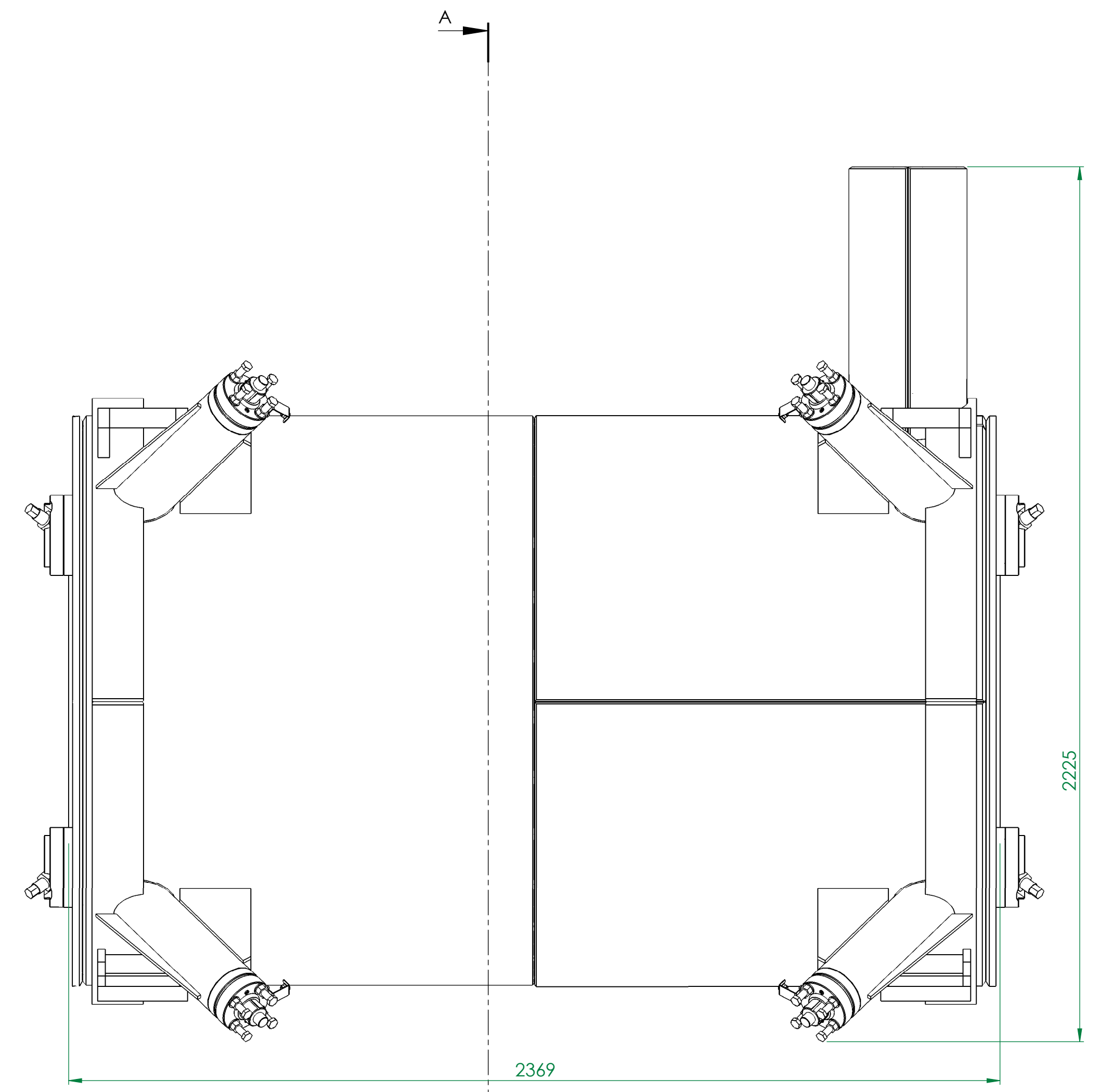
DÉTAIL K
ECHELLE 1 : 5



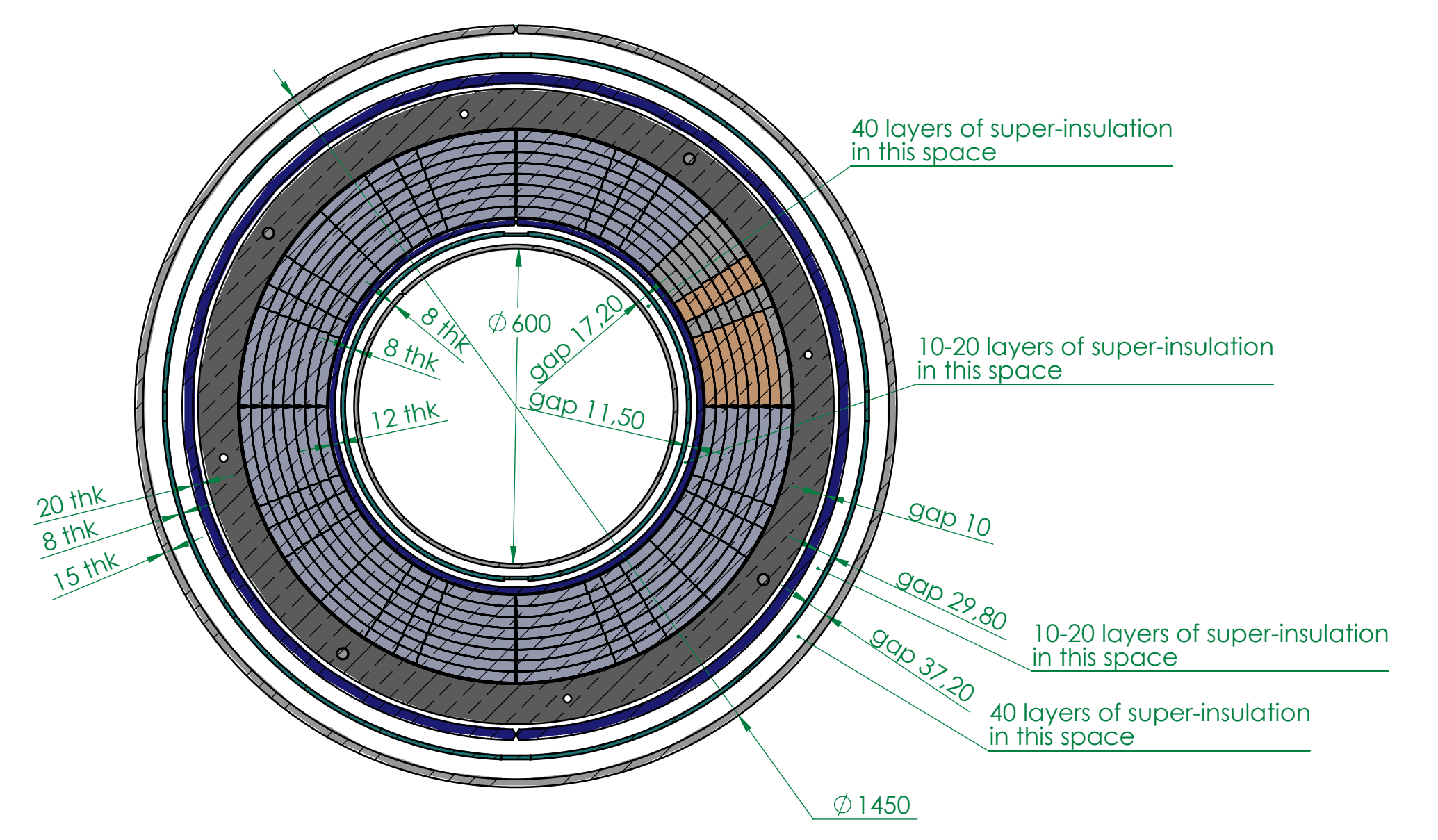
COUPE J-J



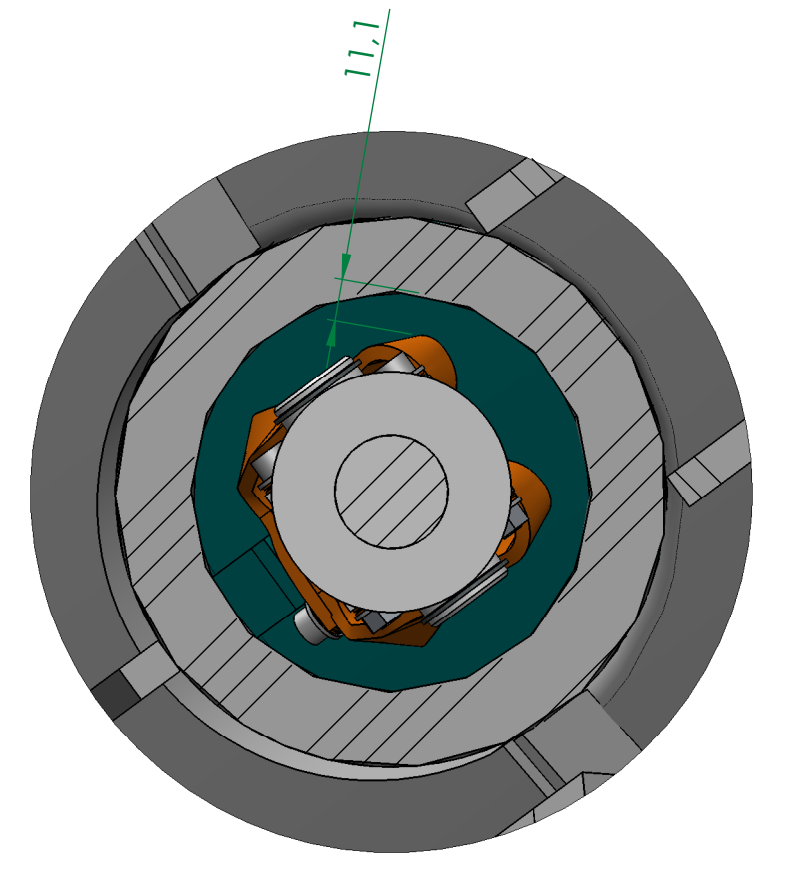
1731



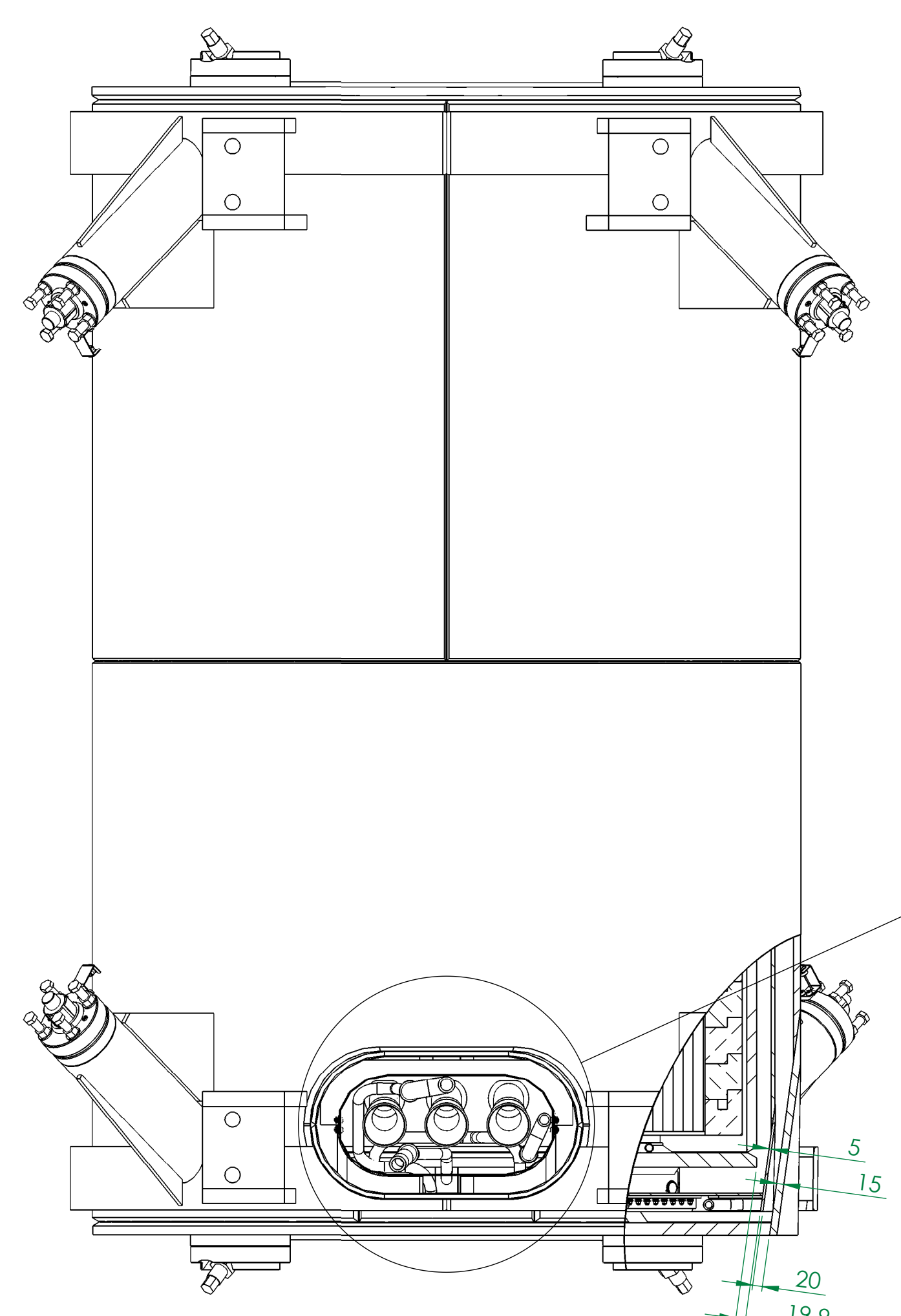
2369



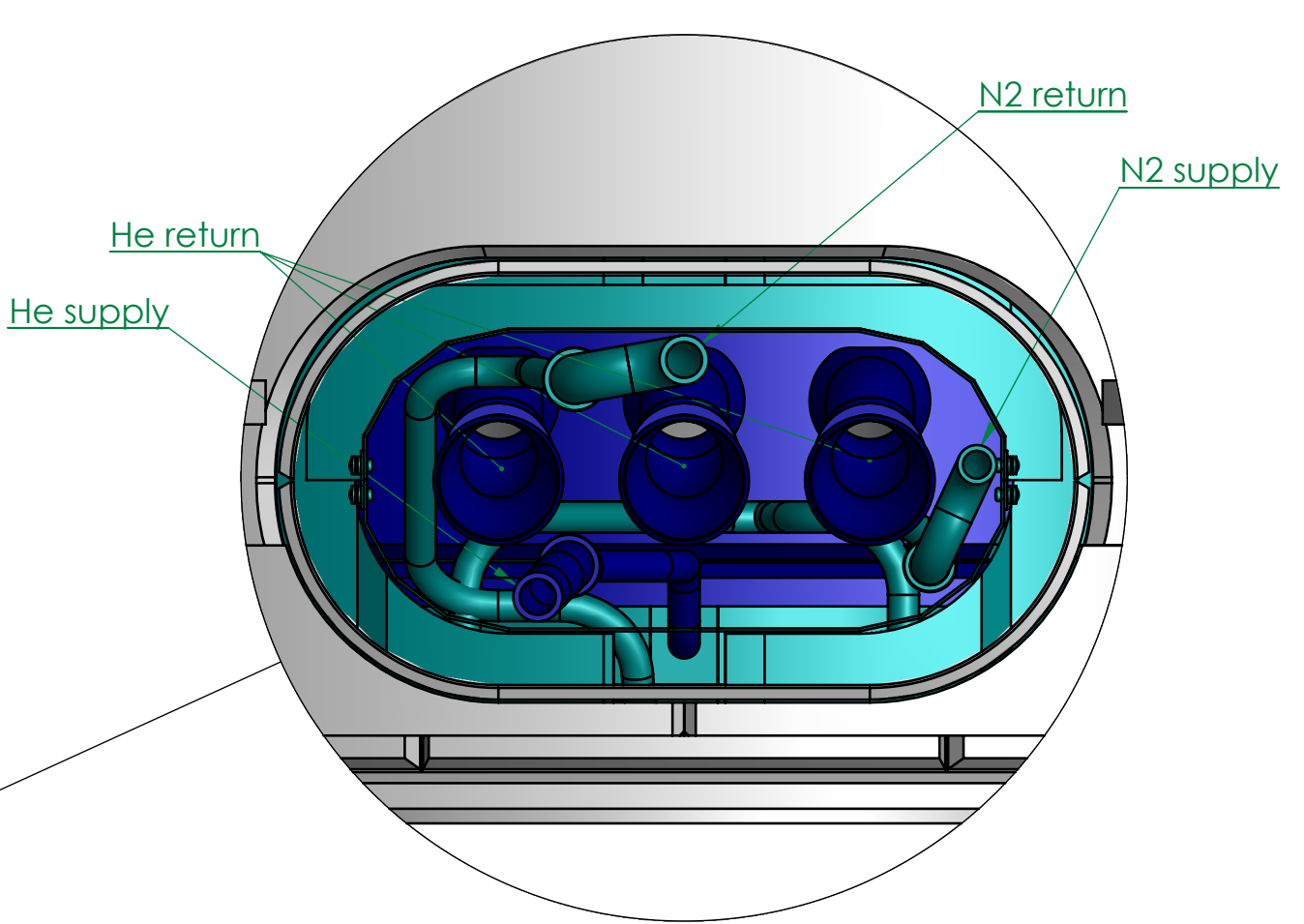
COUPE A-A



COUPE L-L
ECHELLE 1 : 2

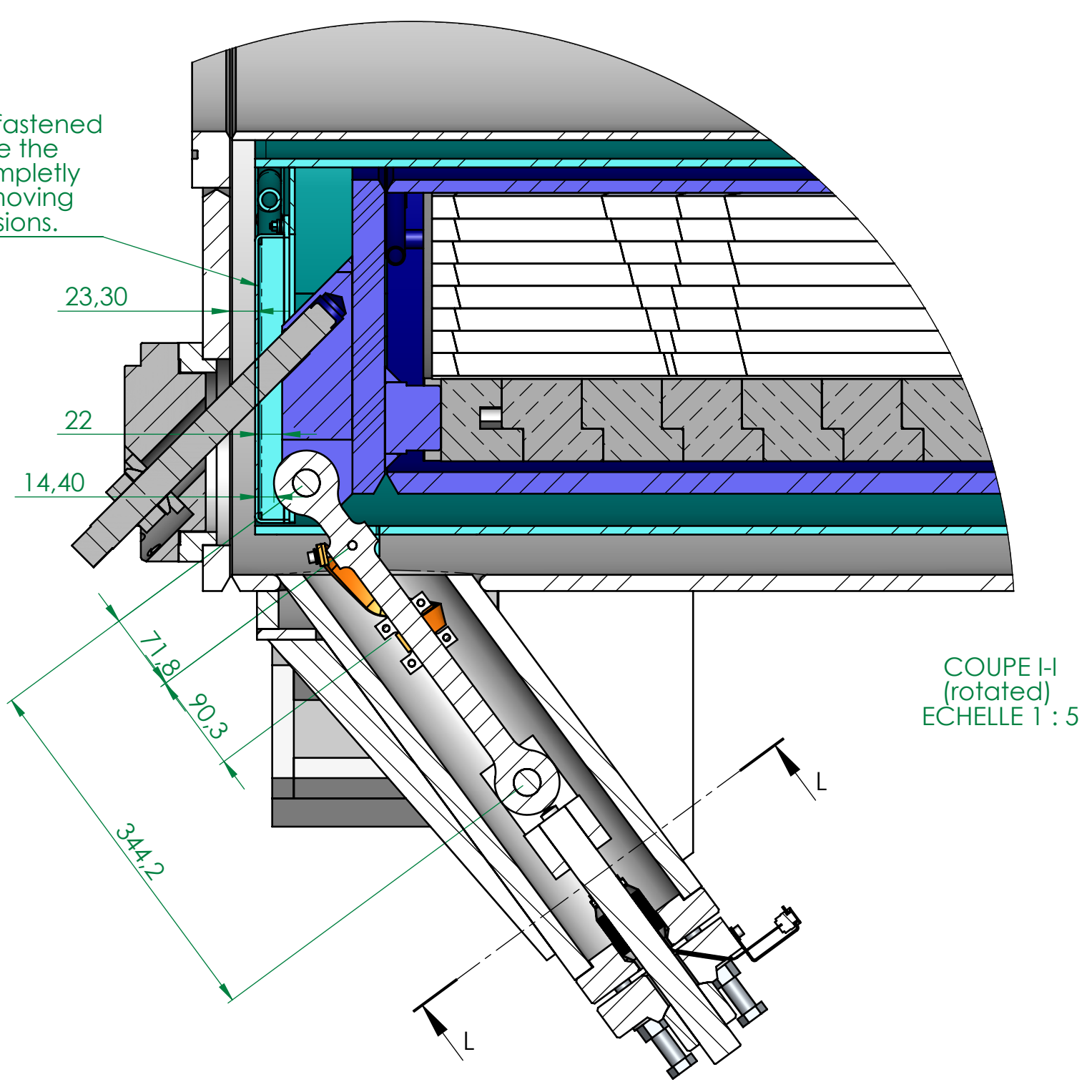


5
15
20
19.9

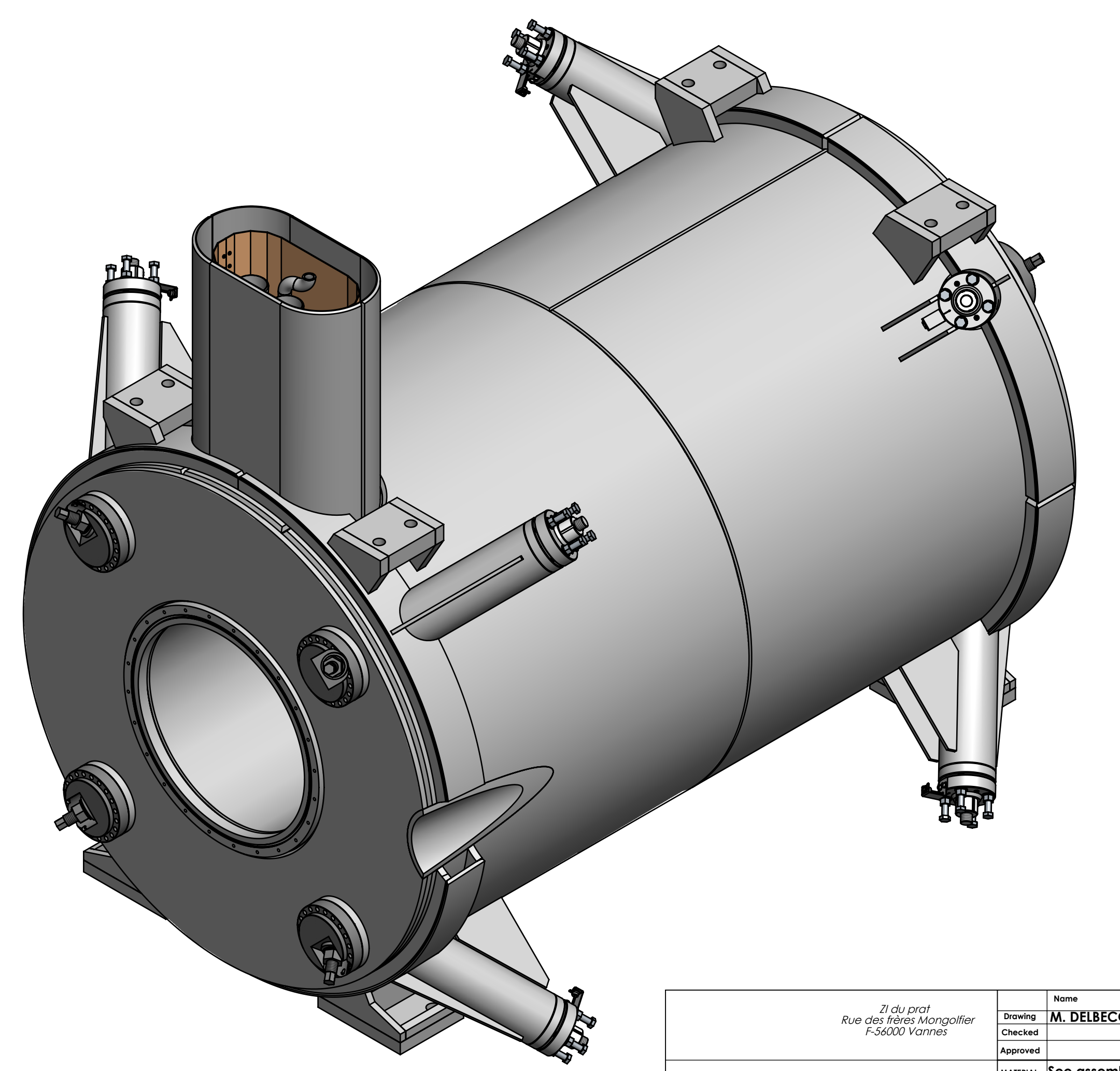


DÉTAIL D
ECHELLE 1 : 5

covers to be kept fastened by 1 fastening inside the cryostat and to completely fasten after the removing of transport suspensions.



COUPE H (rotated)
ECHELLE 1 : 5



REP	REFERENCE	DESIGNATION	QTY	REV	MATERIAL	MASS (Kg)
0200-001	318711-JLA-0200-001	COIL	1	A	See assembly	8055.68
701-001	318711-JLA-701-001	OUTER VESSEL	1	A	See assembly	2679.94
702-001	318711-JLA-702-001	ANTIRADIATION SCREEN	1	B	See assembly	572.58
703-001	318711-JLA-703-001	HELIUM VESSEL	1	A	See assembly	2129.00
704-001	318711-JLA-704-001	FORCE RINGS	1	A	See assembly	1402.34
706-001	318711-JLA-706-001	SUSPENSION	8	A	See assembly	14.64
705-001	318711-JLA-705-001	TRANSPORT SUSPENSION	8	A	See assembly	13.64

Zone	Rev.	Date
A		30/09/2013

Drawn	M. DELBECQ
Checked	
Approved	
Author	See assembly
Quantity	SEE NOTE
Weight	15066.75 Kg
File name	318711-JLA-001-001

DWG No:	318711-JLA-001-001
Scale	A