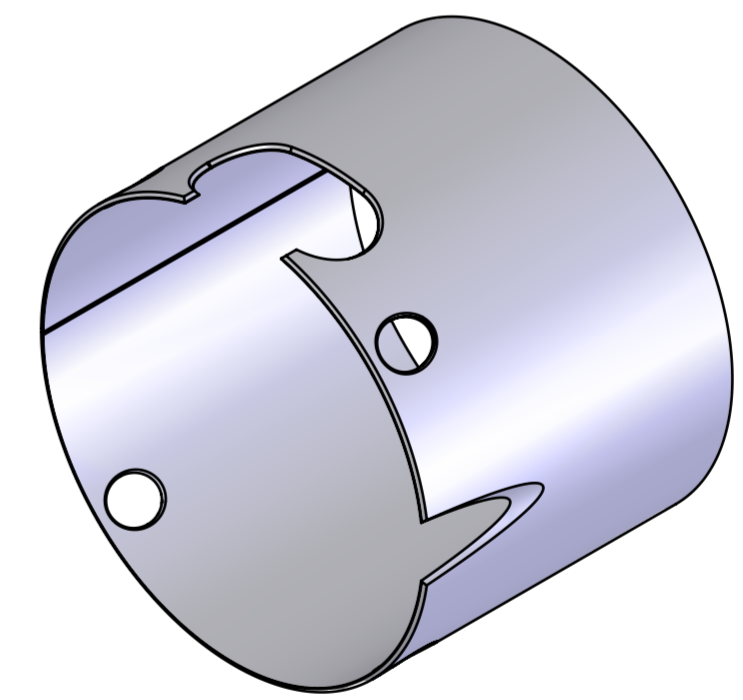
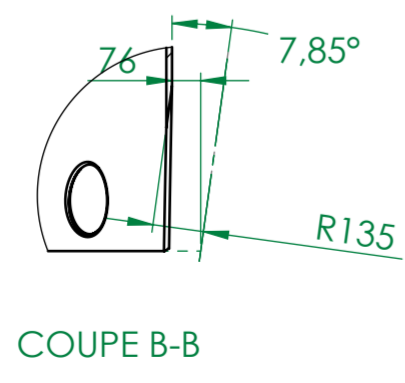
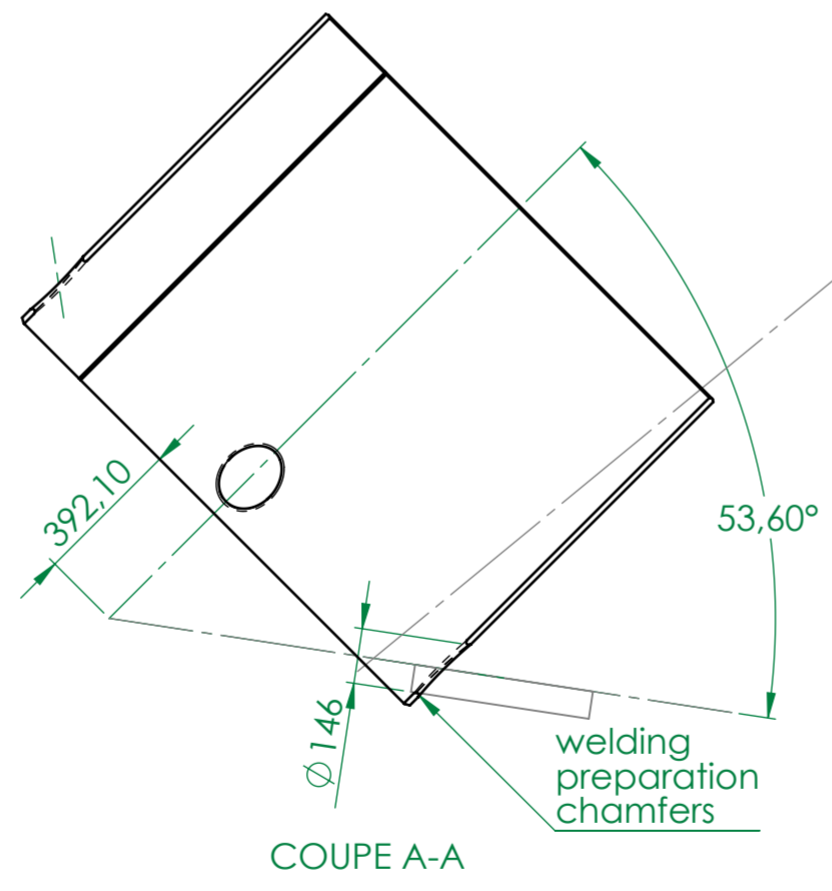
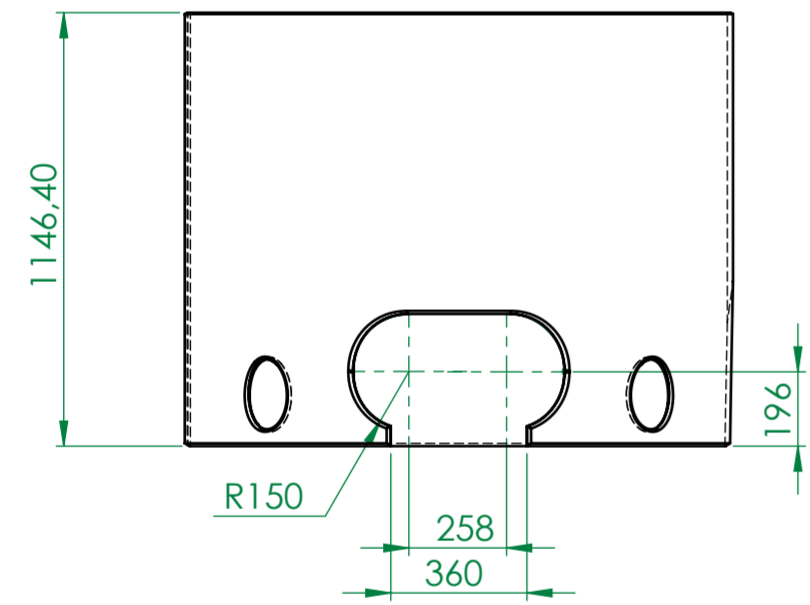
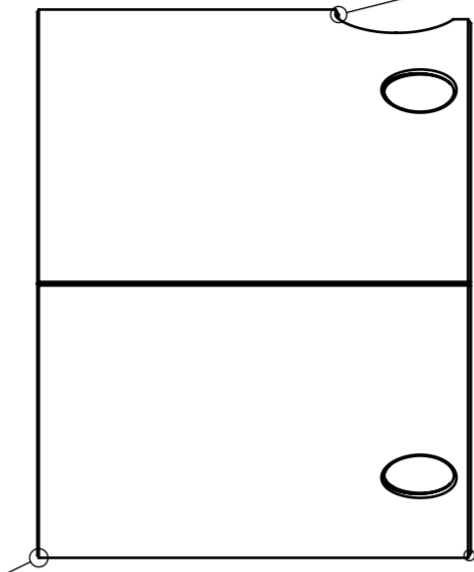
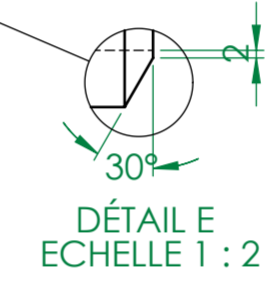
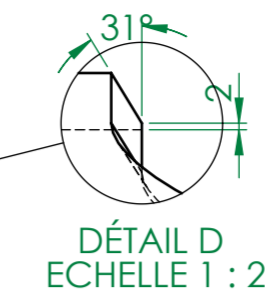
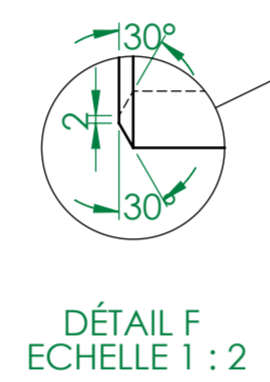
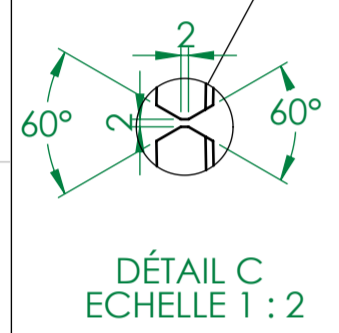
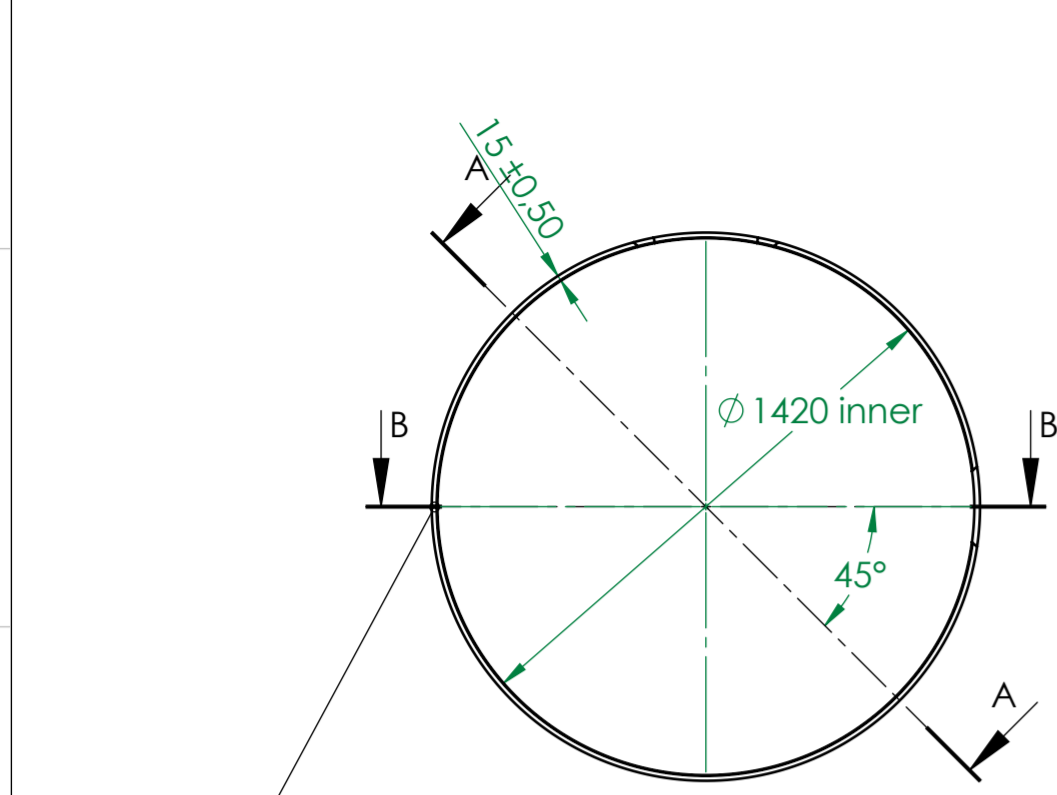


REVISIONS				
ZONE	REV.	DESCRIPTION	DATE	AUTHOR
	A	CREATION	04/07/2013	M. DELBECQ



 SIGMAPHI <small>INDUSTRIE AND SECTEUR TRANSPORT</small> Tel:(33) 02.97.01.08.80 Fax (33)02.97.01.08.81 EMAIL Contact@sigmaphi.fr	SIGMAPHI <small>zi du port Rue des frères Mongollier F-56000 Vannes</small>		Name	M. DELBECQ	Date	26/09/2013
	Drawing	Checked	Approved			
	701-Outer-Vessel outer tube			MATERIAL:	304L (X2CrNi18-9)	
			Trait.:			
			Roughness:			
			Tol Gen			
			Supplier:			
			Weight:	571.54 Kg		
			File name:318711-JLA-701-002			
DWG NO. 318711-JLA-701-002					Rev:	A
<small>This drawing may not be used without special licence or authorisation express (Law of the 11 march 1957)</small>						A2 SCALE:1:20 SHEET 1 OF 1