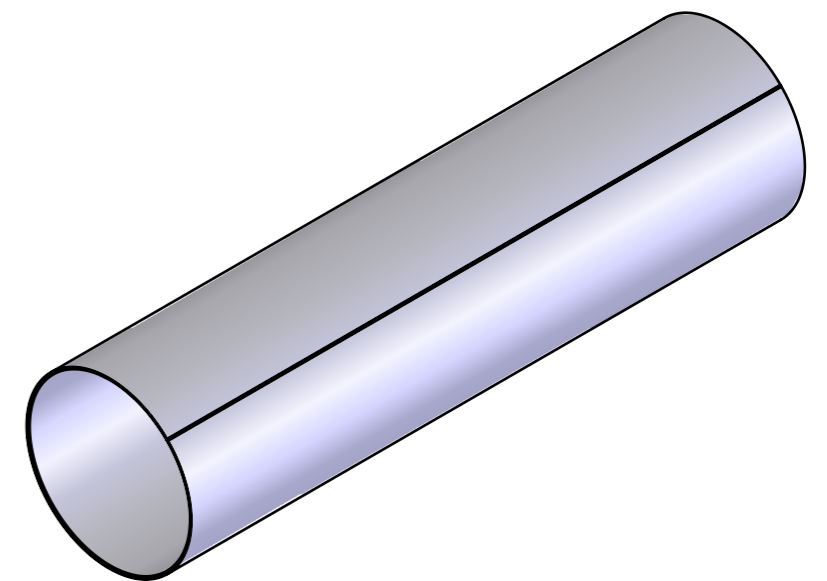
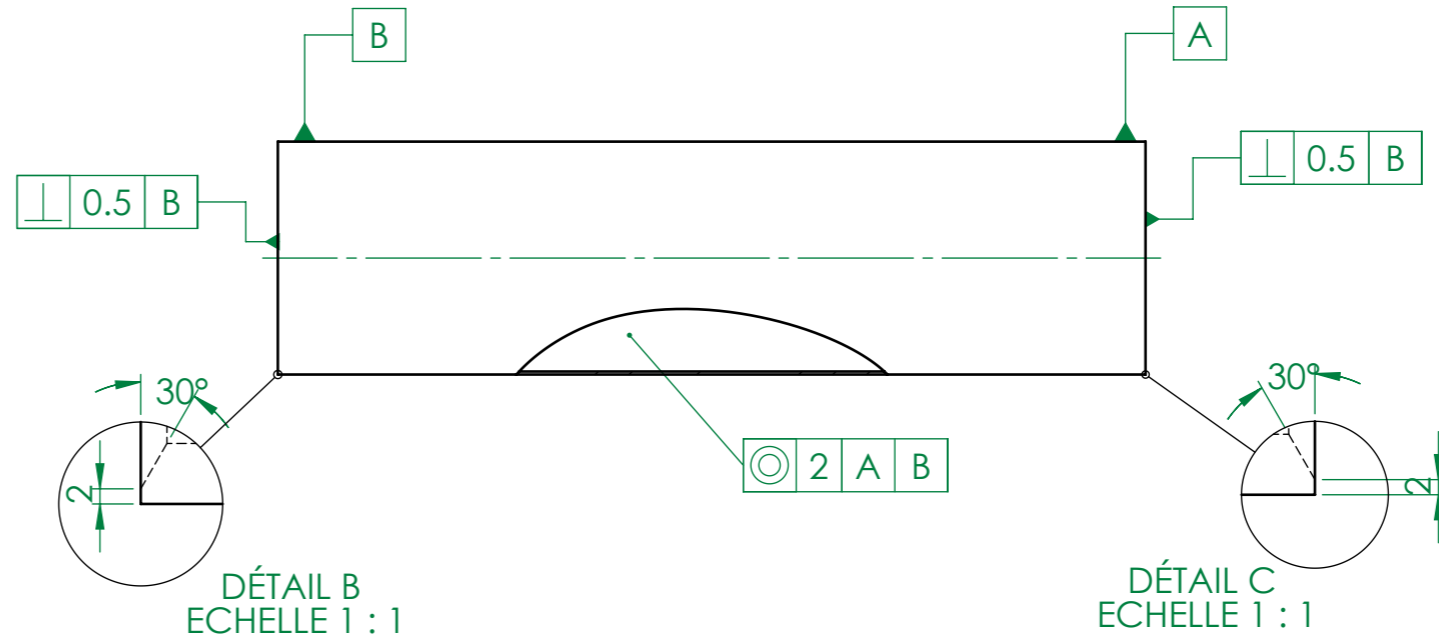
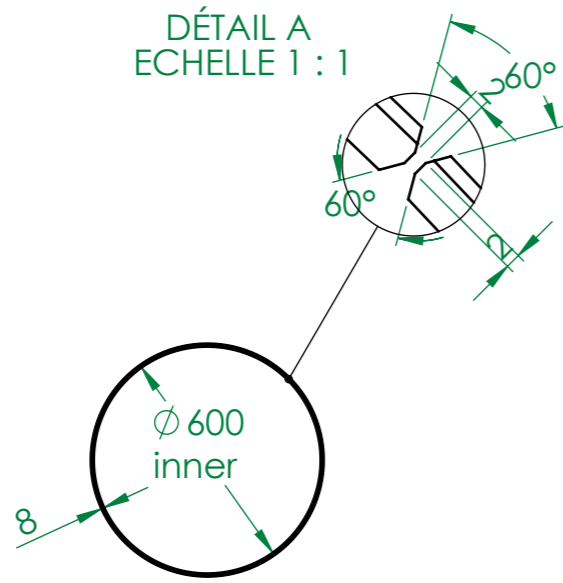




REVISIONS				
ZONE	REV.	DESCRIPTION	DATE	AUTHOR
	A	CREATION	04/07/2013	M. DELBECQ



A and B have to be considered as surfaces from ends to 20mm

 ZI du prat Rue des frères Mongolfier F-56000 Vannes Tel(33) 02.97.01.08.80 Fax (33)02.97.01.08.81 EMAIL Contact@sigmaphi.fr	Name	M. DELBECQ	Date	26/09/2013
	Drawing	M. DELBECQ		
	Checked			
	Approved			
	MATERIAL:	304L (X2CrNi18-9)		
	Trait.:			
	Roughness :			
	Tol Gen	±2		
	Supplier:			
	Weight:	276.23 Kg		
	File name:	318711-JLA-701-003		
DWG NO.	318711-JLA-701-003			Rev:
				A
This drawing may not be used without special licence or authorisation express (Law of the 11 march 1957)				 A3 SCALE:1:20 SHEET 1 OF 1