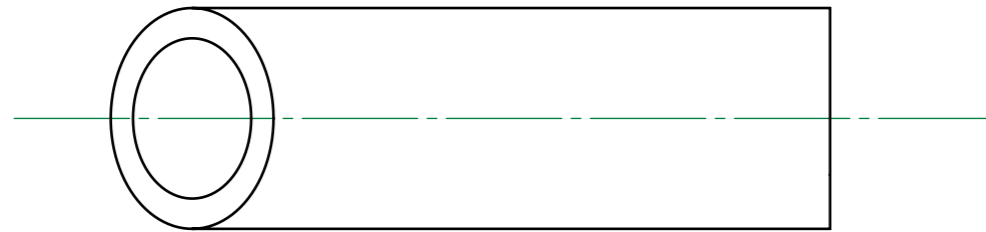
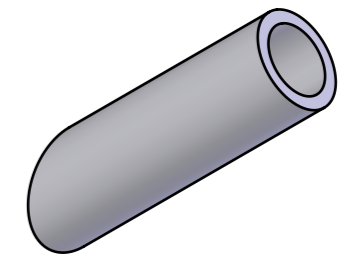
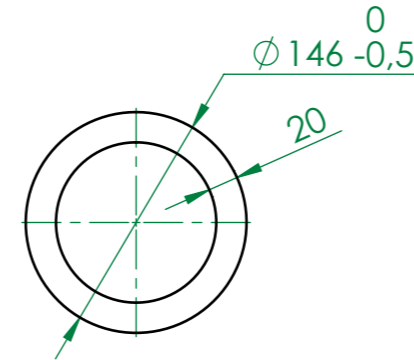
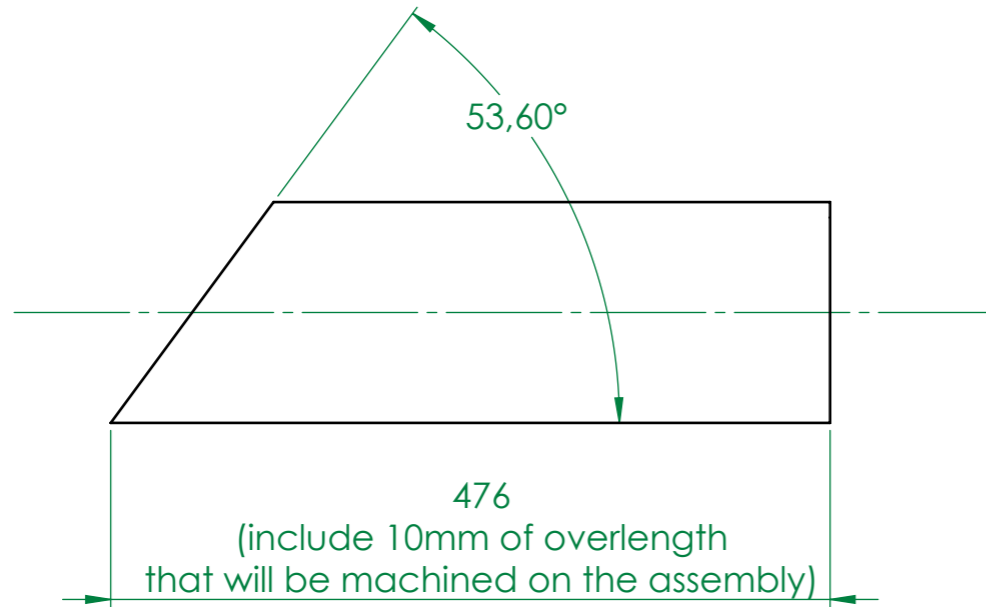




REVISIONS				
ZONE	REV.	DESCRIPTION	DATE	AUTHOR
	A	CREATION	04/07/2013	M. DELBECQ



ECHELLE 1 : 10

 <p>ZI du prat Rue des frères Mongolfier F-56000 Vannes</p> <p>Tel(33) 02.97.01.08.80 Fax (33)02.97.01.08.81 EMAIL Contact@sigmaphi.fr</p>	Name	Date	
	Drawing	M. DELBECQ	24/09/2013
	Checked		
	Approved		
	MATERIAL:	"SW-Material@Pièce.prtdot"	
	Trait.:		
	Roughness :		
	Tol Gen		
	Supplier:		
	Weight:	"SW-Mass@Pièce.prtdot" Kg	
	File name:	318711-JLA-701-005	
DWG NO.	318711-JLA-701-005		
	Rev:	A	
<p>This drawing may not be used without special licence or authorisation express (Law of the 11 march 1957)</p>			
	 A3	SCALE:1:5 SHEET 1 OF 1	