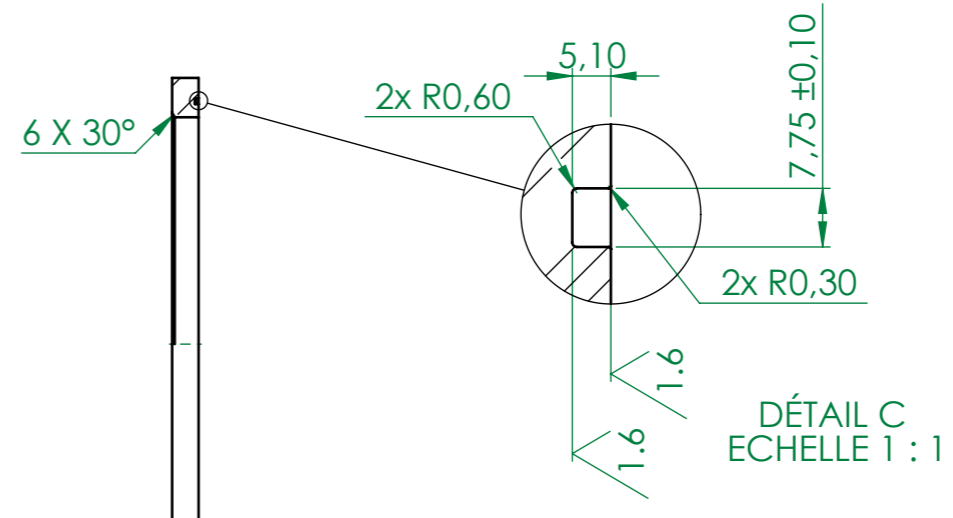
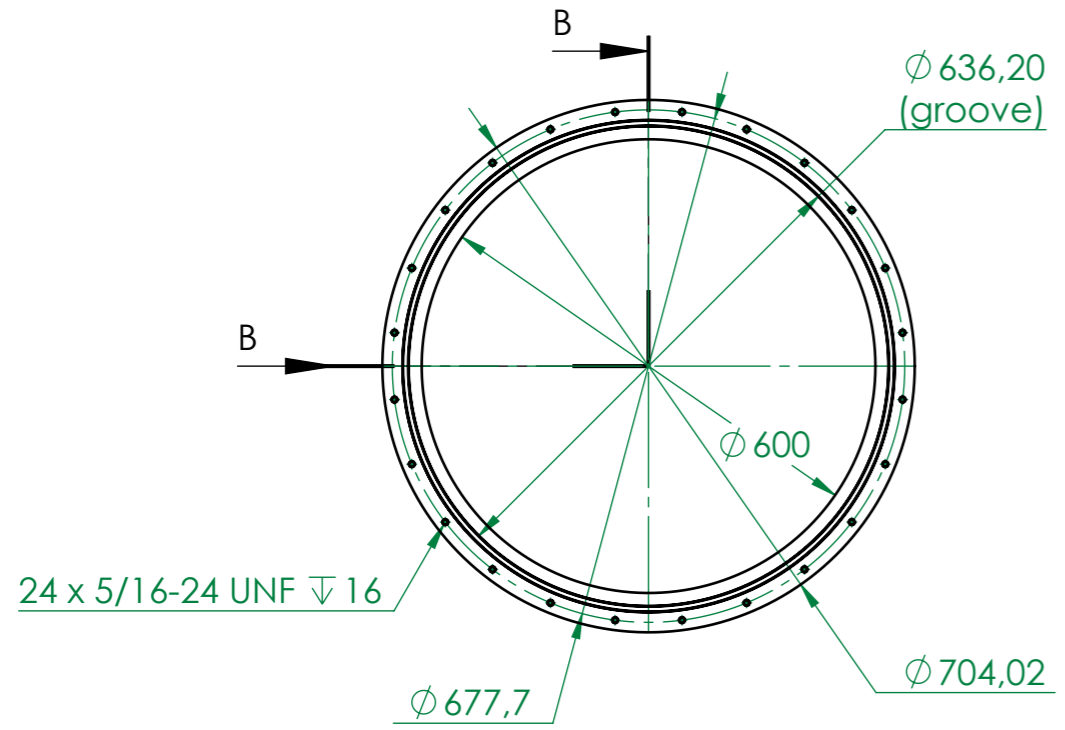
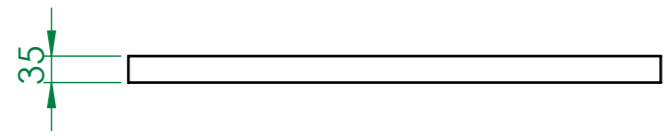
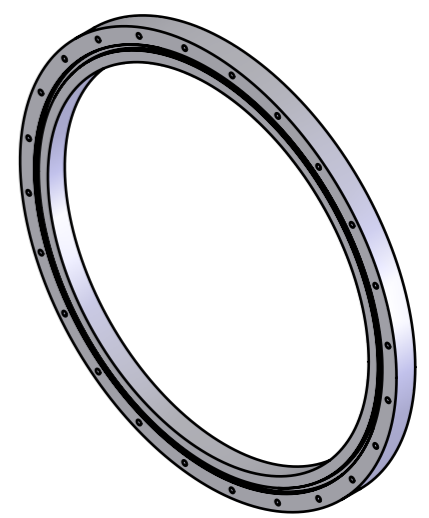


REVISIONS				
ZONE	REV.	DESCRIPTION	DATE	AUTHOR
	A	CREATION	04/07/2013	M. DELBECQ



COUPE B-B



 ZI du prat Rue des frères Mongolfier F-56000 Vannes Tel(33) 02.97.01.08.80 Fax (33)02.97.01.08.81 EMAIL Contact@sigmaphi.fr	Name	M. DELBECQ	Date	24/09/2013	
	Drawing				
	Checked				
	Approved				
MATERIAL:	"SW-Material@Pièce.prtdot"				
Trait.:					
Roughness :					
Tol Gen					
Supplier:					
Weight:	"SW-Mass@Pièce.prtdot" Kg				
File name:318711-JLA-701-006					
DWG NO.	318711-JLA-701-006			Rev:	A
This drawing may not be used without special licence or authorisation express (Law of the 11 march 1957)					
			A3	SCALE:1:10	SHEET 1 OF 1