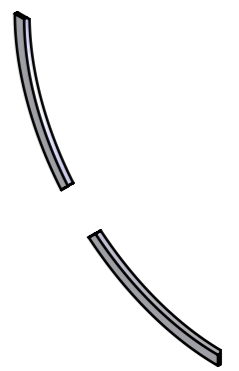
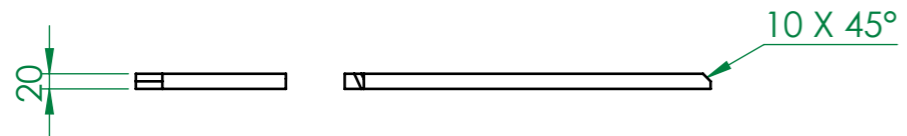
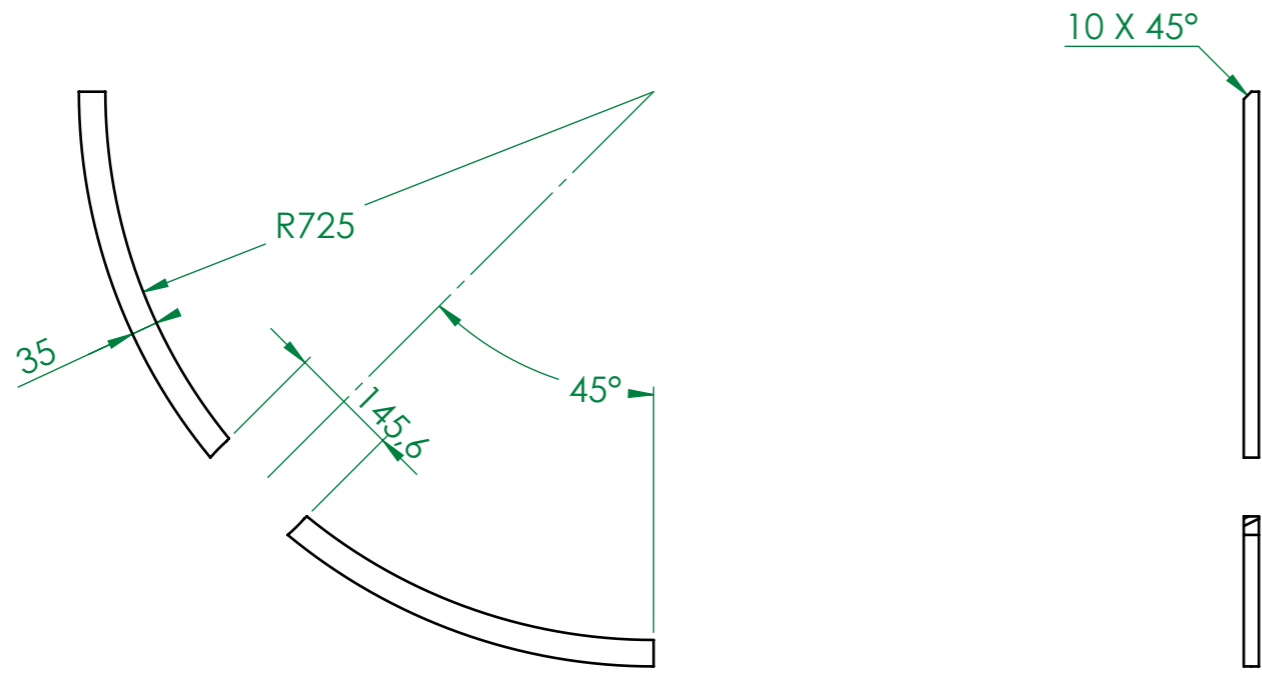




| REVISIONS | | | | |
|-----------|------|-------------|------------|------------|
| ZONE | REV. | DESCRIPTION | DATE | AUTHOR |
| | A | CREATION | 04/07/2013 | M. DELBECQ |



| | | |
|---|---|-----------------------------------|
|  <p>ZI du prat Rue des frères Mongolfier F-56000 Vannes</p> <p>Tel(33) 02.97.01.08.80 Fax (33)02.97.01.08.81 EMAIL Contact@sigmaphi.fr</p> | Name | Date |
| | Drawing M. DELBECQ | 24/09/2013 |
| | Checked | |
| | Approved | |
| <p>701-Outer-Vessel</p> <p>stiffening part 10</p> | MATERIAL: | 304L (X2CrNi18-9) |
| | Trait.: | |
| | Roughness : | |
| | Tol Gen | ±0.5 |
| | Supplier: | |
| | Weight: | 5.62 Kg |
| | File name:318711-JLA-701-010 | |
| DWG NO. | Rev: | |
| 318711-JLA-701-010 | A | |
| <p>This drawing may not be used without special licence or authorisation express (Law of the 11 march 1957)</p> | | |
| |  | <p>A3 SCALE:1:10 SHEET 1 OF 1</p> |