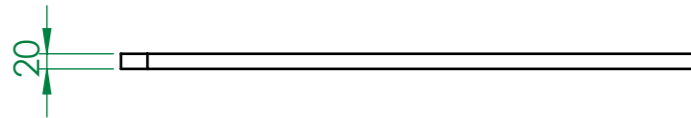
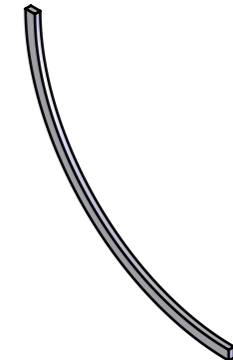
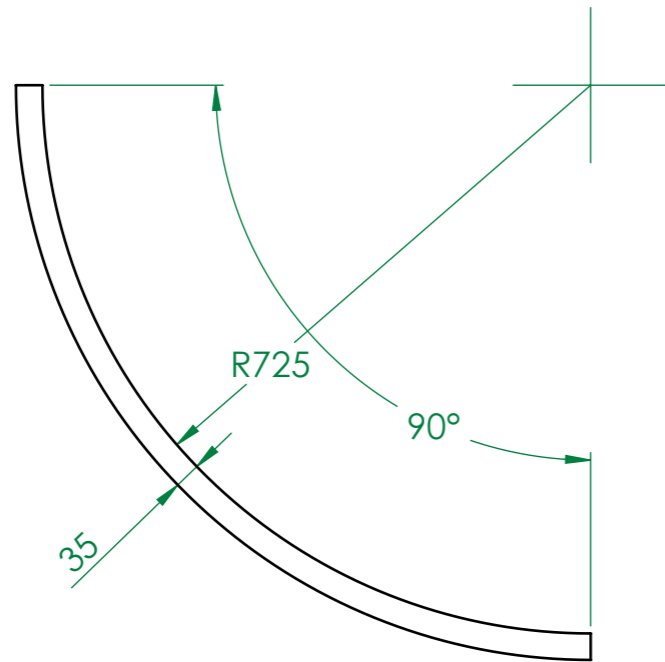



REVISIONS				
ZONE	REV.	DESCRIPTION	DATE	AUTHOR
	A	CREATION	08/07/2013	M. DELBECQ



 <p>ZI du prat Rue des frères Mongolfier F-56000 Vannes</p> <p>Tel(33) 02.97.01.08.80 Fax (33)02.97.01.08.81 EMAIL Contact@sigmaphi.fr</p>	Name	Date	
	Drawing	M. DELBECQ	24/09/2013
	Checked		
	Approved		
<p>701-Outer-Vessel</p> <p>stiffening part 13</p>	MATERIAL:	304L (X2CrNi18-9)	
	Trait.:		
	Roughness :		
	Tol Gen	±1	
<p>DWG NO.</p> <p>318711-JLA-701-013</p>	Supplier:		
	Weight:	6.45 Kg	
	File name:	318711-JLA-701-013	
<p>This drawing may not be used without special licence or authorisation express (Law of the 11 march 1957)</p>		<p>Rev:</p> <p>A</p>	
<p>⊕ →</p>		<p>A3 SCALE:1:10 SHEET 1 OF 1</p>	