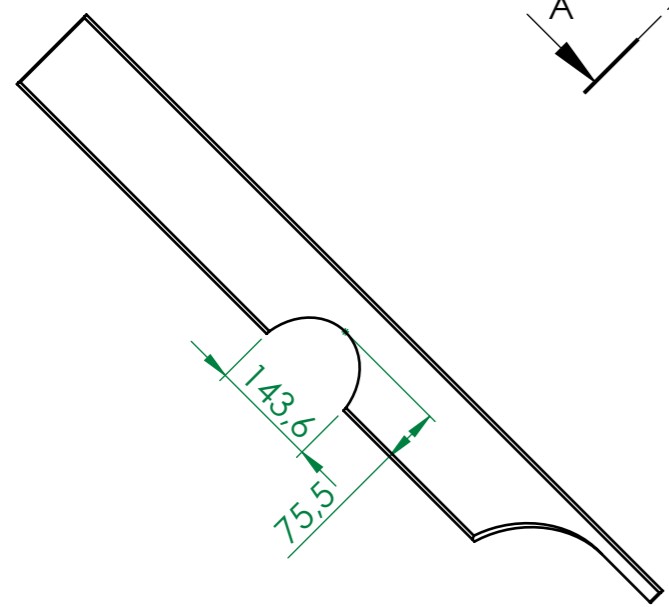
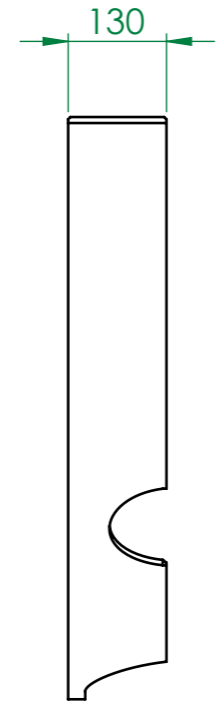
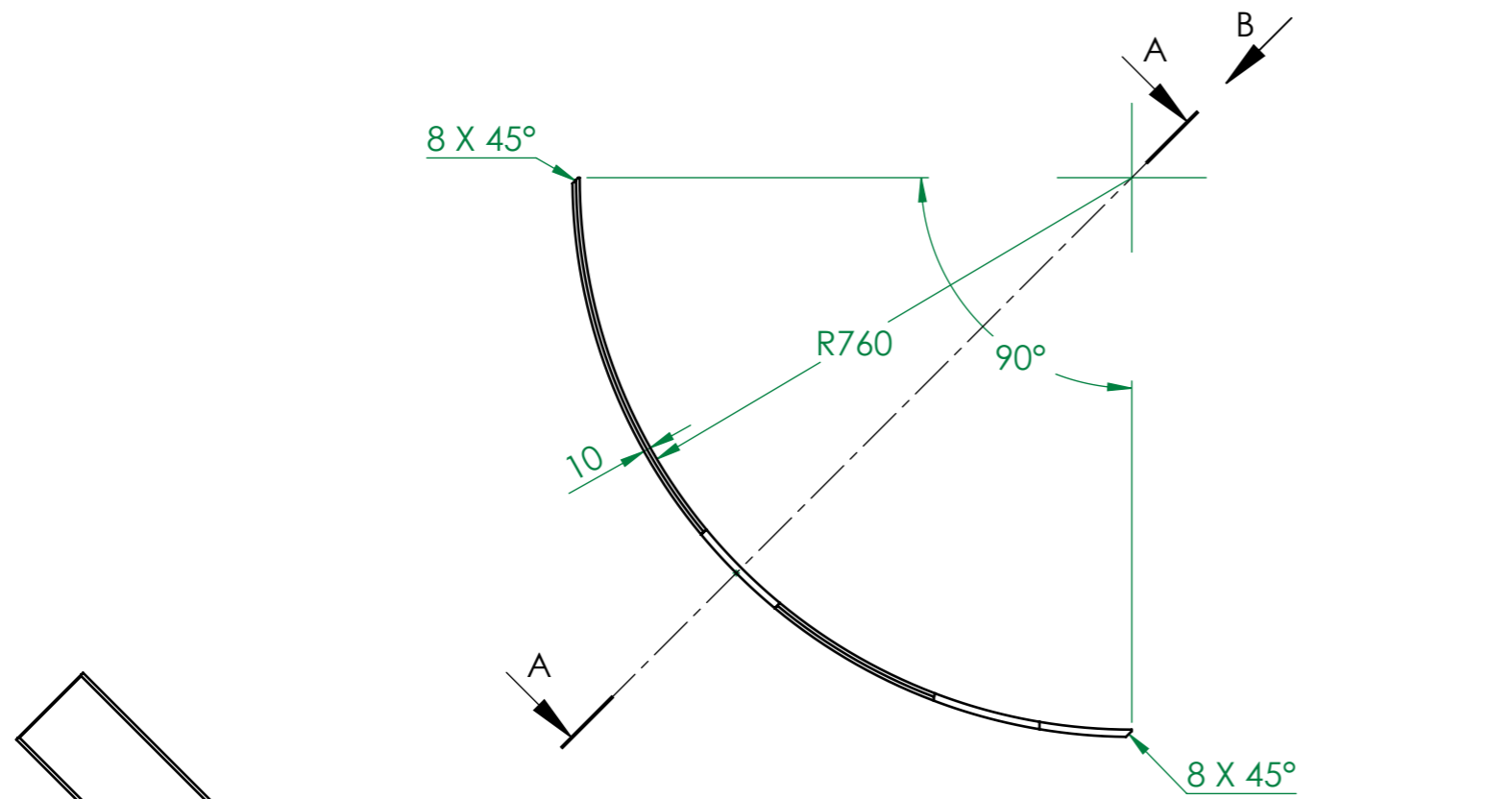
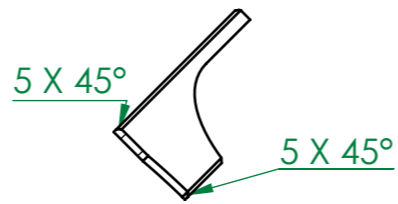


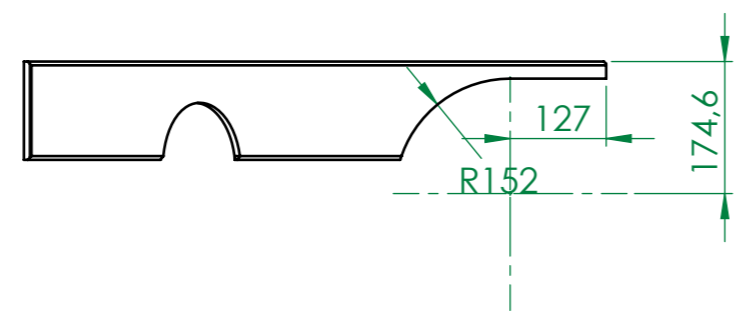
REVISIONS				
ZONE	REV.	DESCRIPTION	DATE	AUTHOR
	A	CREATION	08/07/2013	M. DELBECQ





VUE B



COUPE A-A



 ZI du prat Rue des frères Mongolfier F-56000 Vannes Tel(33) 02.97.01.08.80 Fax (33)02.97.01.08.81 EMAIL Contact@sigmaphi.fr	Name	Date
	Drawing M. DELBECQ	24/09/2013
	Checked	
	Approved	
	MATERIAL: 304L (X2CrNi18-9)	
	Trait.:	
701-Outer-Vessel	Roughness :	
	Tol Gen	
	Supplier:	
stiffening part 14	Weight: 9.43 Kg	
	File name:318711-JLA-701-014	
DWG NO. 318711-JLA-701-014	Rev: A	
This drawing may not be used without special licence or authorisation express (Law of the 11 march 1957)		 A3 SCALE:1:10 SHEET 1 OF 1