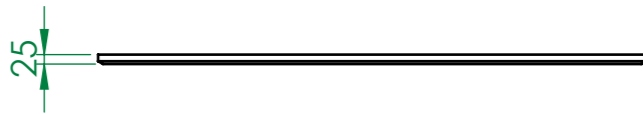
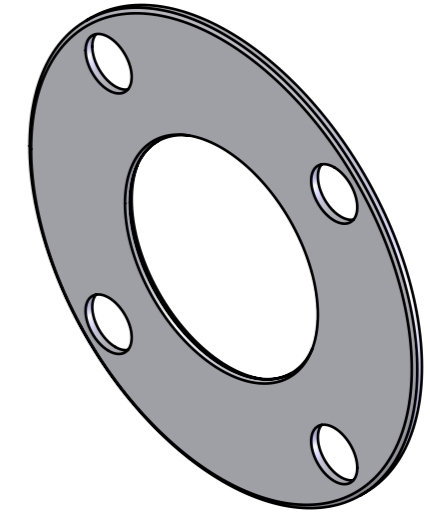
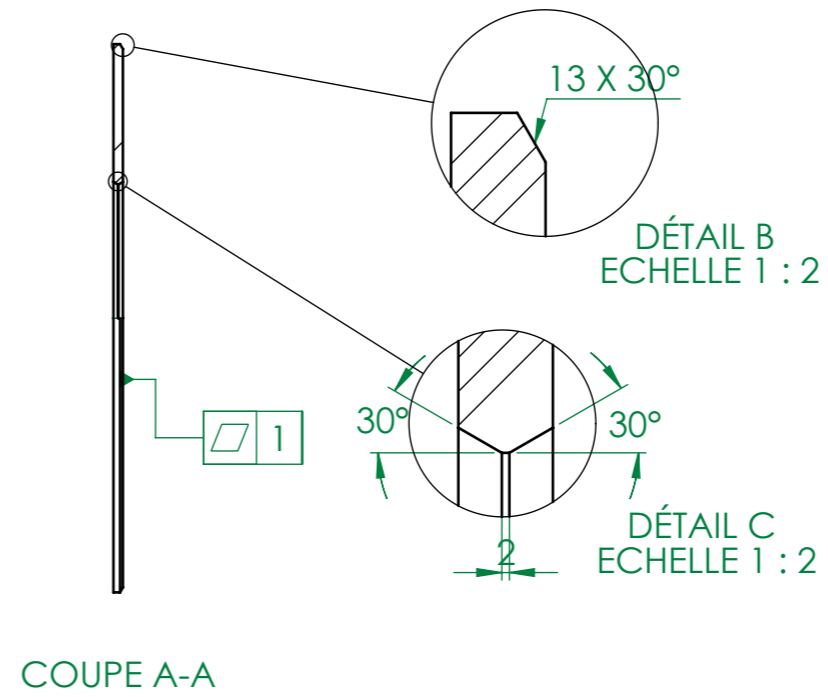
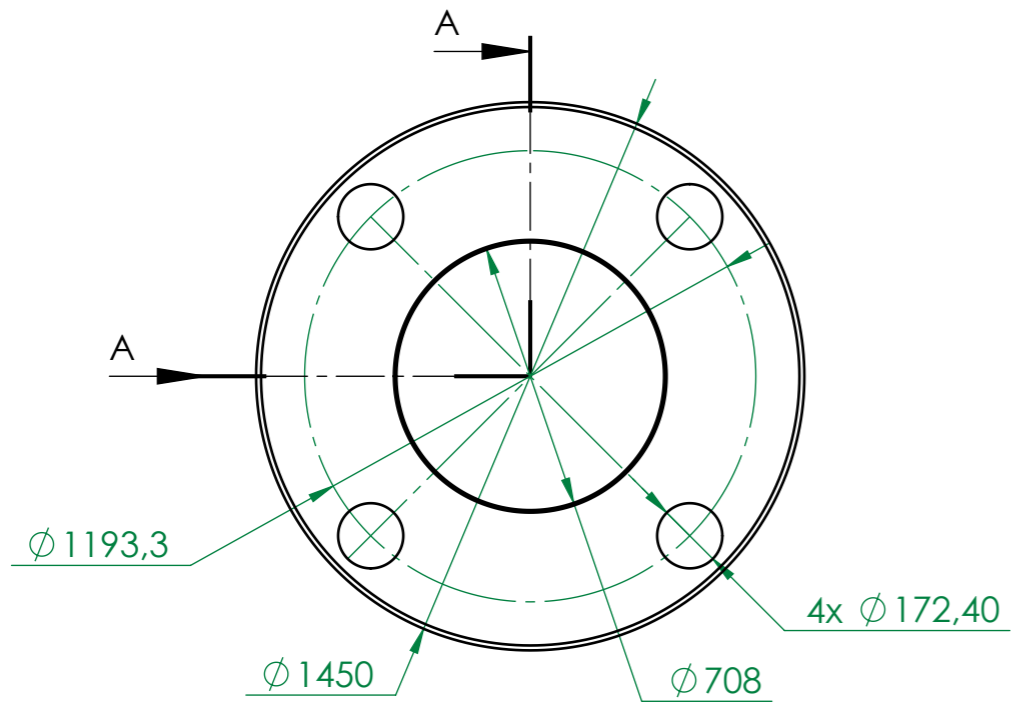


REVISIONS				
ZONE	REV.	DESCRIPTION	DATE	AUTHOR
	A	CREATION	26/08/2013	M. DELBECQ



 ZI du prat Rue des frères Mongolfier F-56000 Vannes Tel(33) 02.97.01.08.80 Fax (33)02.97.01.08.81 EMAIL Contact@sigmaphi.fr	Name	Date	
	Drawing	M. DELBECQ	24/09/2013
	Checked		
	Approved		
<b>701-Outer-Vessel</b>  <b>flange #2</b>	MATERIAL:	304L (X2CrNi18-9)	
	Trait.:		
	Roughness :		
	Tol Gen		
	Supplier:		
Weight:	226.84 Kg		
DWG NO.	318711-JLA-701-019		
Rev:	A		
This drawing may not be used without special licence or authorisation express (Law of the 11 march 1957)			
A3 SCALE:1:20 SHEET 1 OF 1			