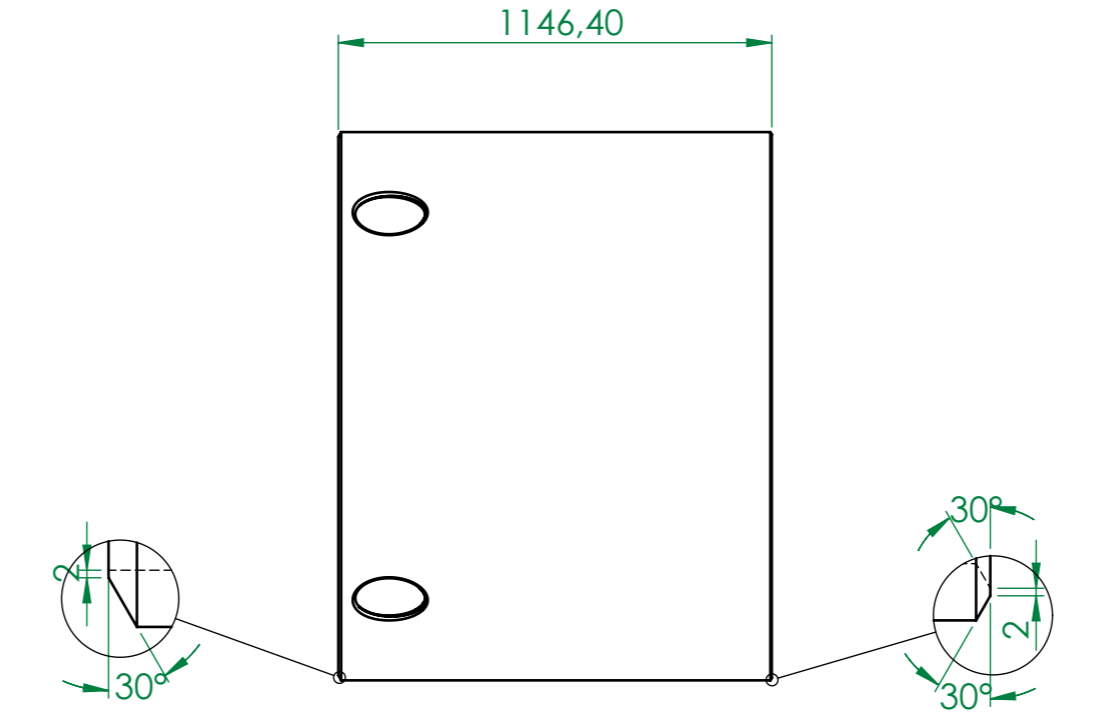
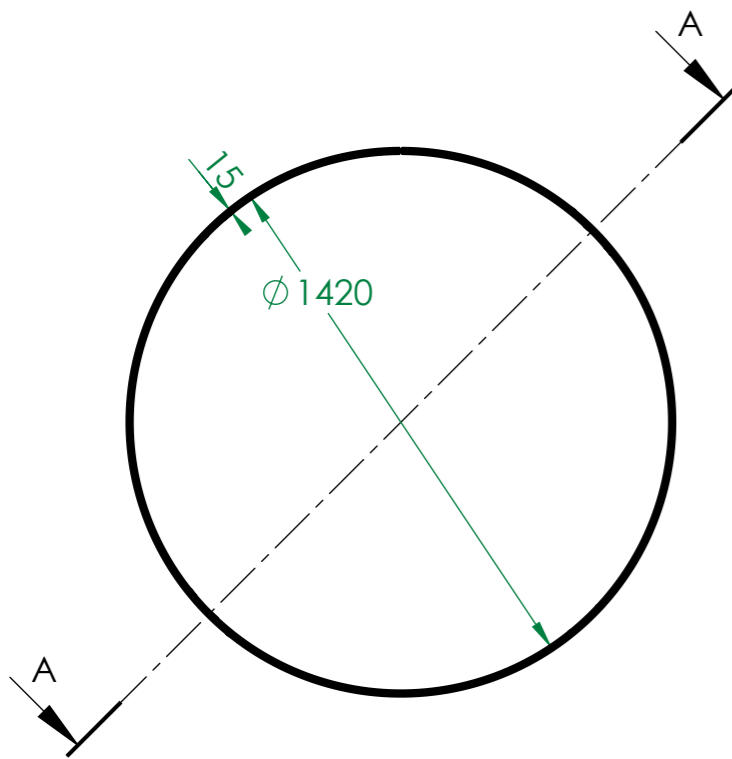
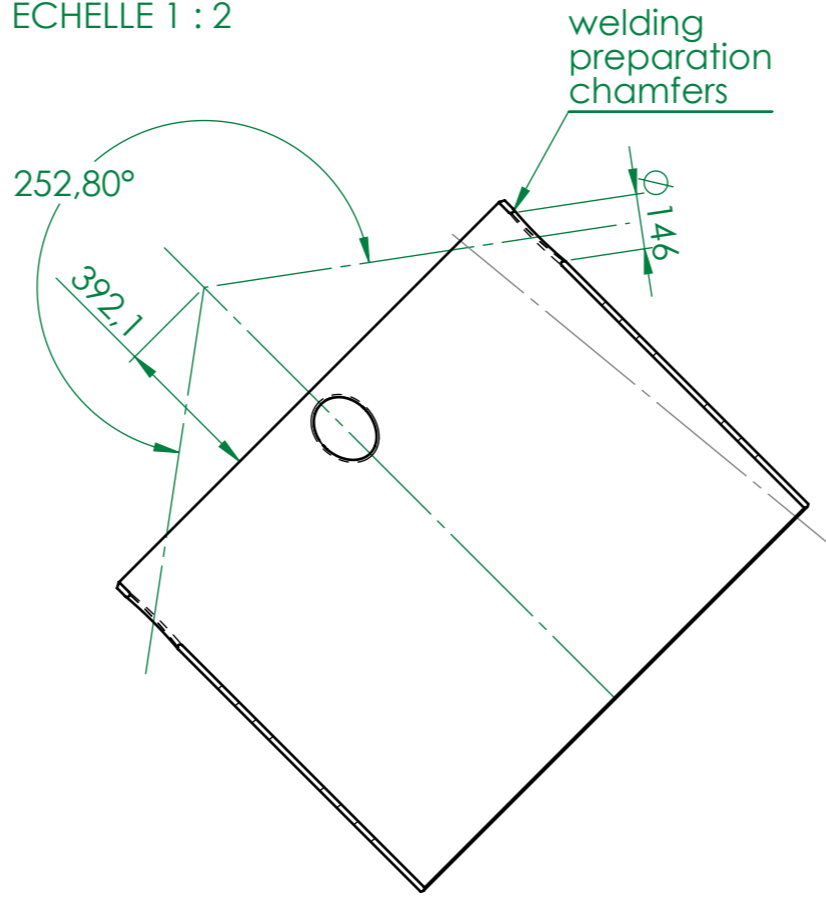
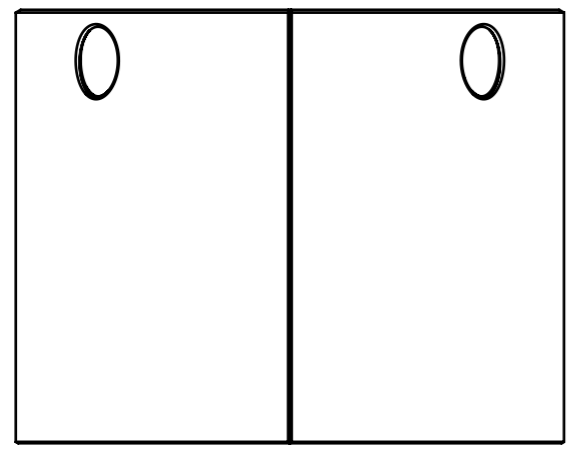
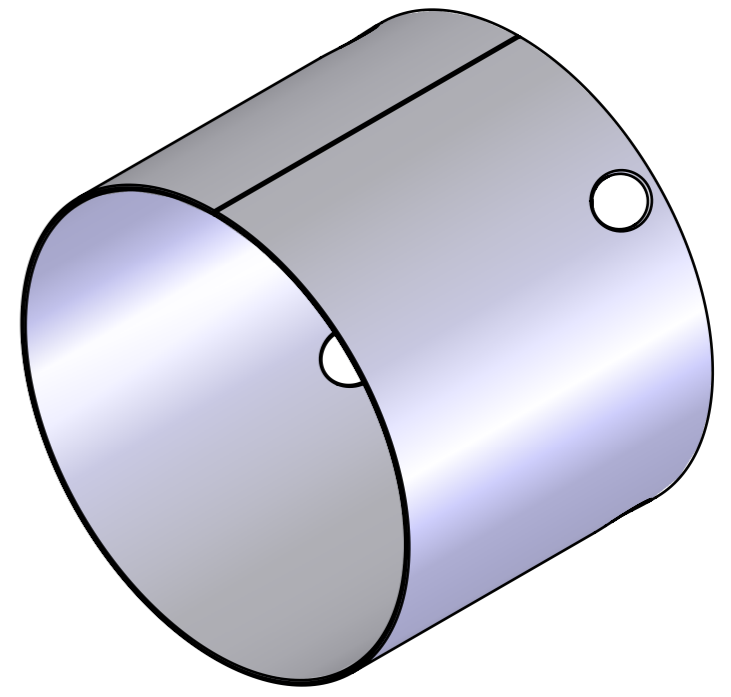


REVISIONS				
ZONE	REV.	DESCRIPTION	DATE	AUTHOR
	A	CREATION	23/09/2013	M. DELBECQ




DÉTAIL B
ECHELLE 1 : 2

DÉTAIL C
ECHELLE 1 : 2



COUPE A-A

 ZI du prat Rue des frères Mongolfier F-56000 Vannes Tel(33) 02.97.01.08.80 Fax (33)02.97.01.08.81 EMAIL Contact@sigmaphi.fr	Name	M. DELBECQ	Date	24/09/2013
	Drawing	Checked	Approved	
701-Outer-Vessel outer tube part #2	MATERIAL:	304L (X2CrNi18-9)		
	Trait.:			
	Roughness :			
	Tol Gen	±2		
	Supplier:			
	Weight:	598.71 Kg		
DWG NO.		318711-JLA-701-021		Rev:
				A
This drawing may not be used without special licence or authorisation express (Law of the 11 march 1957)				
		A3		SCALE:1:20 SHEET 1 OF 1